

# CABINET STYLE

## Case Type Shelving



Phone : **321-777-0464**  
Fax : **312-777-3539**  
Toll Free : **800-772-7562**  
E-Mail : [aetnagsa@montel.com](mailto:aetnagsa@montel.com)  
Web : [www.aetnastak.com](http://www.aetnastak.com)

**M MONTEL**  
**AETNASTAK**

**Cabinets**

90" high including 2" base_____	<b>CT/3</b>
87" high including 2" base_____	<b>CT/4</b>
78" high including 2" base_____	<b>CT/5</b>
69" high including 2" base_____	<b>CT/6</b>
57" high including 2" base_____	<b>CT/7</b>
45" high including 2" base_____	<b>CT/8</b>
43 1/2" high including 2" base_____	<b>CT/9</b>
34 1/2" high including 2" base_____	<b>CT/10</b>

**Shelves**

Plain shelf assembly kit with hooks_____	<b>CT/11</b>
Slotted shelf assembly kit with hooks_____	<b>CT/12</b>
Shelf components_____	<b>CT/13</b>

**Accessories**

Sliding reference shelf_____	<b>CT/13</b>
Sliding frame for pendaflex_____	<b>CT/13</b>
Sliding frame with drawer front (keyed different or alike)_____	<b>CT/14</b>
Sliding frame with drawer front without lock_____	<b>CT/14</b>
File drawer (keyed different or alike)_____	<b>CT/15</b>
File drawer without lock_____	<b>CT/15</b>
4 1/2" high drawer_____	<b>CT/16</b>
6" high drawer_____	<b>CT/17</b>
Front-to-back support_____	<b>CT/18</b>
Side-to-side support_____	<b>CT/18</b>
Front-to-back plain divider_____	<b>CT/18</b>
Wall angle mounting bracket_____	<b>CT/18</b>
Doors_____	<b>CT/19-CT/20</b>
Pendaflex drawers codes_____	<b>CT/21</b>
Multipurpose drawers codes_____	<b>CT/22</b>

# CABINET

90" high including 2" base

# CABINET STYLE

	CODE #	W	D	H	lbs	\$
				Including 2" Base		
30" WIDE	CT883010	30	10	90	81.0	\$542.00
	CT883012	30	12	90	86.0	\$552.00
	CT883013	30	13	90	93.0	\$554.00
	CT883015	30	15	90	95.0	\$560.00
	CT883016	30	16	90	101.0	\$570.00
	CT883018	30	18	90	112.0	\$578.00
36" WIDE	CT883610	36	10	90	98.0	\$544.00
	CT883612	36	12	90	103.0	\$554.00
	CT883613	36	13	90	111.0	\$556.00
	CT883615	36	15	90	114.0	\$564.00
	CT883616	36	16	90	121.0	\$574.00
	CT883618	36	18	90	135.0	\$584.00
39 3/8" WIDE	CT883910	39	10	90	107.0	\$550.00
	CT883912	39	12	90	112.0	\$560.00
	CT883913	39	13	90	120.0	\$570.00
	CT883915	39	15	90	123.0	\$574.00
	CT883916	39	16	90	131.0	\$580.00
	CT883918	39	18	90	142.0	\$590.00
42" WIDE	CT884210	42	10	90	116.0	\$556.00
	CT884212	42	12	90	121.0	\$566.00
	CT884213	42	13	90	129.0	\$576.00
	CT884215	42	15	90	132.0	\$580.00
	CT884216	42	16	90	141.0	\$586.00
	CT884218	42	18	90	153.0	\$596.00

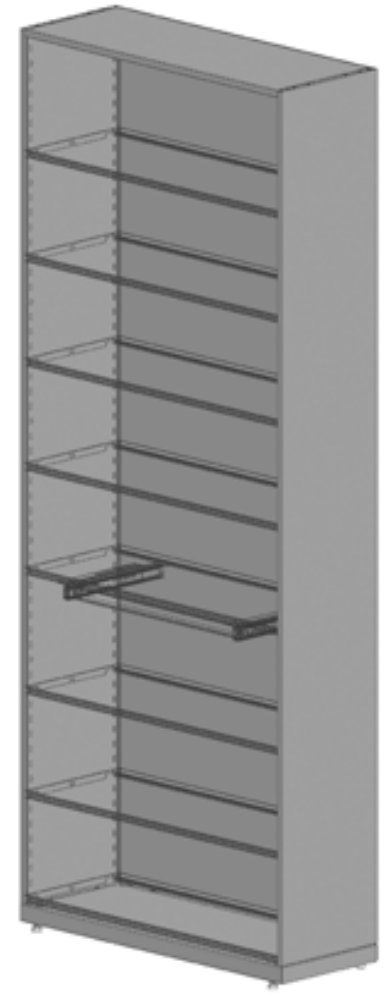


Illustration to be used as a reference only  
**Shelves** and **accessories** are not included

Can accommodate 8 levels of storage with a sliding reference shelf

**Notes :**

- Shelves and accessories are not included (see page **CT/11** and **CT/12** for shelves and see page **CT/13** to **CT/20** for accessories)
- Levelers are included with each cabinet
- A wall angle is recommended for every 78" high Cabinet Style or higher (see page **CT/18**)

# CABINET

87" high including 2" base

# CABINET STYLE

	CODE #	W	D	H	lbs	\$
				Including 2" Base		
30" WIDE	CT853010	30	10	87	78.0	\$534.00
	CT853012	30	12	87	83.0	\$544.00
	CT853013	30	13	87	90.0	\$546.00
	CT853015	30	15	87	92.0	\$552.00
	CT853016	30	16	87	98.0	\$562.00
	CT853018	30	18	87	109.0	\$570.00
36" WIDE	CT853610	36	10	87	95.0	\$536.00
	CT853612	36	12	87	100.0	\$546.00
	CT853613	36	13	87	108.0	\$548.00
	CT853615	36	15	87	110.0	\$556.00
	CT853616	36	16	87	117.0	\$566.00
	CT853618	36	18	87	131.0	\$576.00
39 3/8" WIDE	CT853910	39	10	87	103.0	\$542.00
	CT853912	39	12	87	108.0	\$552.00
	CT853913	39	13	87	117.0	\$562.00
	CT853915	39	15	87	119.0	\$566.00
	CT853916	39	16	87	127.0	\$572.00
	CT853918	39	18	87	142.0	\$582.00
42" WIDE	CT854210	42	10	87	110.0	\$548.00
	CT854212	42	12	87	115.0	\$558.00
	CT854213	42	13	87	126.0	\$568.00
	CT854215	42	15	87	128.0	\$572.00
	CT854216	42	16	87	136.0	\$578.00
	CT854218	42	18	87	153.0	\$588.00

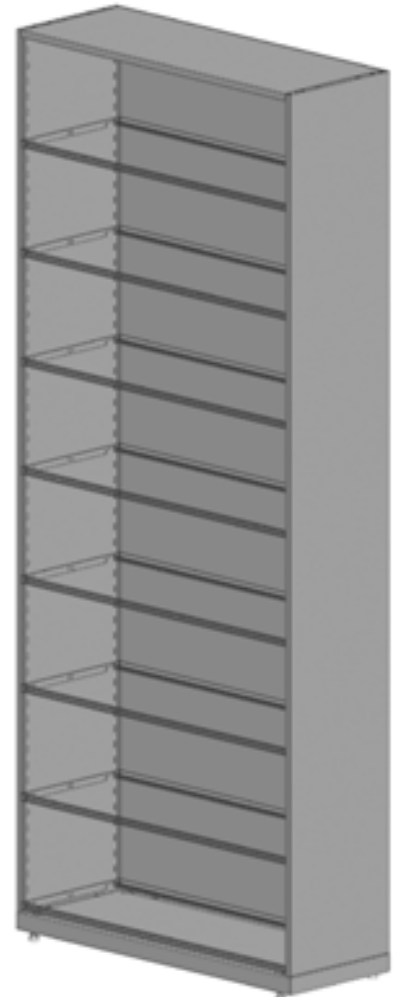


Illustration to be used as a reference only  
**Shelves** and **accessories** are not included

Can accommodate 8 levels of storage without sliding reference shelf

**Notes :**

- Shelves and accessories are not included (see page **CT/11** and **CT/12** for shelves and see page **CT/13** to **CT/20** for accessories)
- Levelers are included with each cabinet
- A wall angle is recommended for every 78" high Cabinet Style or higher (see page **CT/18**)

# CT/4

# CABINET

78" high including 2" base

# CABINET STYLE

	CODE #	W	D	H	lbs	\$
				Including 2" Base		
30" WIDE	CT763010	30	10	78	70.0	\$512.00
	CT763012	30	12	78	75.0	\$522.00
	CT763013	30	13	78	82.0	\$525.00
	CT763015	30	15	78	83.0	\$532.00
	CT763016	30	16	78	88.0	\$538.00
	CT763018	30	18	78	92.0	\$552.00
36" WIDE	CT763610	36	10	78	85.0	\$514.00
	CT763612	36	12	78	90.0	\$524.00
	CT763613	36	13	78	98.0	\$526.00
	CT763615	36	15	78	100.0	\$534.00
	CT763616	36	16	78	106.0	\$544.00
	CT763618	36	18	78	110.0	\$554.00
39 3/8" WIDE	CT763910	39	10	78	93.0	\$520.00
	CT763912	39	12	78	98.0	\$530.00
	CT763913	39	13	78	106.0	\$540.00
	CT763915	39	15	78	108.0	\$545.00
	CT763916	39	16	78	115.0	\$550.00
	CT763918	39	18	78	119.0	\$560.00
42" WIDE	CT764210	42	10	78	101.0	\$526.00
	CT764212	42	12	78	106.0	\$536.00
	CT764213	42	13	78	114.0	\$546.00
	CT764215	42	15	78	116.0	\$550.00
	CT764216	42	16	78	124.0	\$556.00
	CT764218	42	18	78	128.0	\$566.00

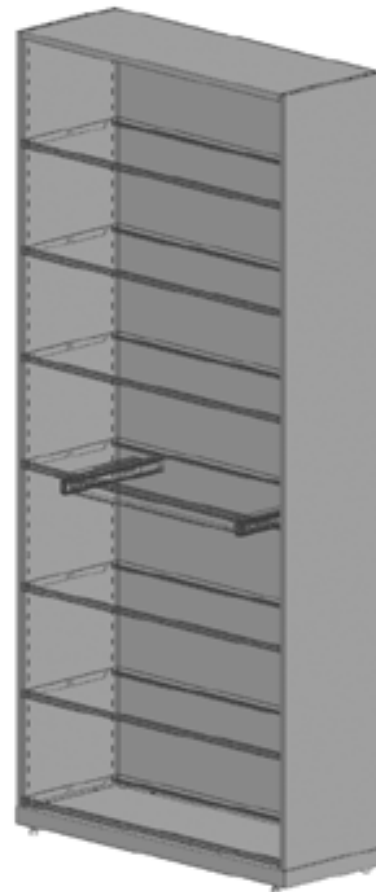


Illustration to be used as a reference only  
**Shelves** and **accessories** are not included

Can accommodate 7 levels of storage with a sliding reference shelf

**Notes :**

- Shelves and accessories are not included (see page **CT/11** and **CT/12** for shelves and see page **CT/13** to **CT/20** for accessories)
- Levelers are included with each cabinet
- A wall angle is recommended for every 78" high Cabinet Style or higher (see page **CT/18**)

# CABINET

69" high including 2" base

# CABINET STYLE

	CODE #	W	D	H	lbs	\$
				Including 2" Base		
30" WIDE	CT673010	30	10	69	60.0	\$507.00
	CT673012	30	12	69	65.0	\$517.00
	CT673013	30	13	69	70.0	\$520.00
	CT673015	30	15	69	72.0	\$527.00
	CT673016	30	16	69	74.0	\$533.00
	CT673018	30	18	69	78.0	\$547.00
36" WIDE	CT673610	36	10	69	71.0	\$509.00
	CT673612	36	12	69	76.0	\$519.00
	CT673613	36	13	69	82.0	\$521.00
	CT673615	36	15	69	84.0	\$529.00
	CT673616	36	16	69	87.0	\$539.00
	CT673618	36	18	69	91.0	\$549.00
39 3/8" WIDE	CT673910	39	10	69	77.0	\$515.00
	CT673912	39	12	69	82.0	\$525.00
	CT673913	39	13	69	88.0	\$535.00
	CT673915	39	15	69	90.0	\$540.00
	CT673916	39	16	69	93.0	\$545.00
	CT673918	39	18	69	97.0	\$555.00
42" WIDE	CT674210	42	10	69	83.0	\$521.00
	CT674212	42	12	69	88.0	\$531.00
	CT674213	42	13	69	94.0	\$541.00
	CT674215	42	15	69	96.0	\$545.00
	CT674216	42	16	69	99.0	\$551.00
	CT674218	42	18	69	102.0	\$561.00

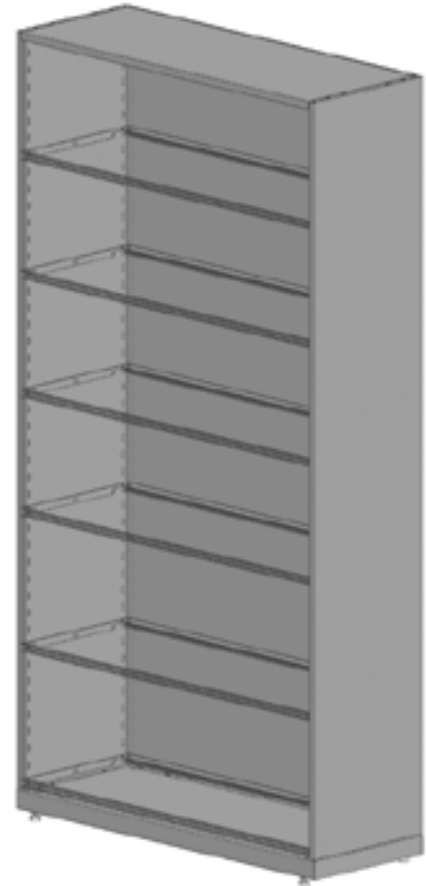


Illustration to be used as a reference only  
**Shelves** and **accessories** are not included

Can accommodate 6 levels of storage without sliding reference shelf

### Notes :

- Shelves and accessories are not included (see page **CT/11** and **CT/12** for shelves and see page **CT/13** to **CT/20** for accessories)
- Levelers are included with each cabinet

# CT/6

Issued 06-01-2005

**MONTEL AETNASTAK**

**GSA** Schedule  
 Contract GS-28F-0017M

# CABINET

57" high including 2" base

# CABINET STYLE

	CODE #	W	D	H	lbs	\$
				Including 2" Base		
30" WIDE	CT553010	30	10	57	50.0	\$502.00
	CT553012	30	12	57	55.0	\$512.00
	CT553013	30	13	57	60.0	\$515.00
	CT553015	30	15	57	62.0	\$522.00
	CT553016	30	16	57	64.0	\$528.00
	CT553018	30	18	57	68.0	\$542.00
36" WIDE	CT553610	36	10	57	61.0	\$504.00
	CT553612	36	12	57	66.0	\$514.00
	CT553613	36	13	57	72.0	\$516.00
	CT553615	36	15	57	74.0	\$524.00
	CT553616	36	16	57	77.0	\$534.00
	CT553618	36	18	57	81.0	\$544.00
39 3/8" WIDE	CT553910	39	10	57	67.0	\$510.00
	CT553912	39	12	57	72.0	\$520.00
	CT553913	39	13	57	78.0	\$530.00
	CT553915	39	15	57	80.0	\$535.00
	CT553916	39	16	57	83.0	\$540.00
	CT553918	39	18	57	87.0	\$550.00
42" WIDE	CT554210	42	10	57	73.0	\$516.00
	CT554212	42	12	57	78.0	\$526.00
	CT554213	42	13	57	84.0	\$536.00
	CT554215	42	15	57	86.0	\$540.00
	CT554216	42	16	57	89.0	\$546.00
	CT554218	42	18	57	92.0	\$556.00

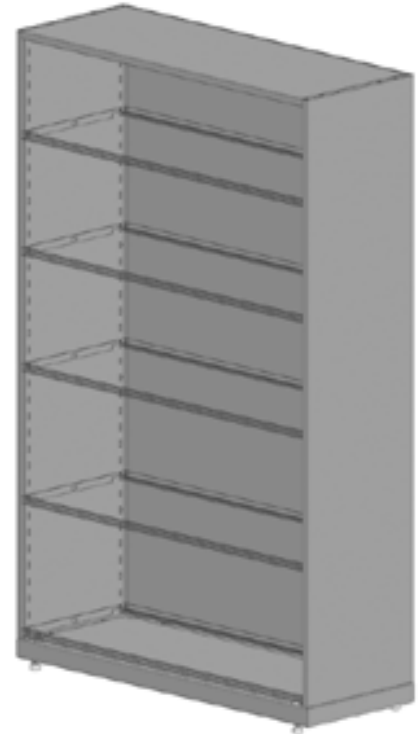


Illustration to be used as a reference only  
**Shelves** and **accessories** are not included

Can accommodate 5 levels of storage without sliding reference shelf

### Notes :

- Shelves and accessories are not included (see page **CT/11** and **CT/12** for shelves and see page **CT/13** to **CT/20** for accessories)
- Levelers are included with each cabinet

# CABINET

45" high including 2" base

# CABINET STYLE

	CODE #	W	D	H	lbs	\$
				Including 2" Base		
30" WIDE	CT433010	30	10	45	38.0	\$497.00
	CT433012	30	12	45	43.0	\$507.00
	CT433013	30	13	45	47.0	\$510.00
	CT433015	30	15	45	49.0	\$517.00
	CT433016	30	16	45	51.0	\$521.00
	CT433018	30	18	45	54.0	\$537.00
36" WIDE	CT433610	36	10	45	47.0	\$499.00
	CT433612	36	12	45	52.0	\$509.00
	CT433613	36	13	45	57.0	\$511.00
	CT433615	36	15	45	58.0	\$519.00
	CT433616	36	16	45	61.0	\$529.00
	CT433618	36	18	45	64.0	\$539.00
39 3/8" WIDE	CT433910	39	10	45	52.0	\$505.00
	CT433912	39	12	45	57.0	\$515.00
	CT433913	39	13	45	62.0	\$525.00
	CT433915	39	15	45	63.0	\$530.00
	CT433916	39	16	45	66.0	\$535.00
	CT433918	39	18	45	69.0	\$545.00
42" WIDE	CT434210	42	10	45	57.0	\$512.00
	CT434212	42	12	45	62.0	\$522.00
	CT434213	42	13	45	66.0	\$531.00
	CT434215	42	15	45	68.0	\$535.00
	CT434216	42	16	45	70.0	\$541.00
	CT434218	42	18	45	73.0	\$545.00

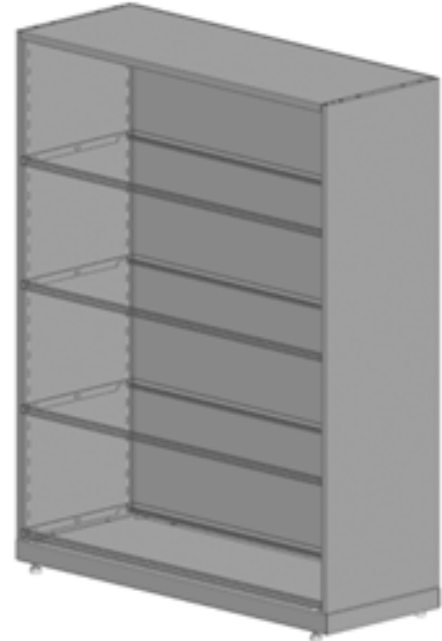


Illustration to be used as a reference only  
Shelves and accessories are not included

Can accommodate 4 levels of storage without sliding reference shelf

### Notes :

- Shelves and accessories are not included (see page CT/11 and CT/12 for shelves and see page CT/13 to CT/20 for accessories)
- Levelers are included with each cabinet

# CT/8

Issued 06-01-2005

**MONTEL AETNASTAK**

**GSA** Schedule  
Contract GS-28F-0017M

# CABINET

43 1/2" high including 2" base

# CABINET STYLE

	CODE #	W	D	H Including 2" Base	lbs	\$
30" WIDE	CT413010	30	10	43 1/2	36.0	\$497.00
	CT413012	30	12	43 1/2	41.0	\$507.00
	CT413013	30	13	43 1/2	45.0	\$510.00
	CT413015	30	15	43 1/2	47.0	\$515.00
	CT413016	30	16	43 1/2	49.0	\$521.00
	CT413018	30	18	43 1/2	51.0	\$535.00
36" WIDE	CT413610	36	10	43 1/2	47.0	\$499.00
	CT413612	36	12	43 1/2	52.0	\$509.00
	CT413613	36	13	43 1/2	57.0	\$511.00
	CT413615	36	15	43 1/2	58.0	\$519.00
	CT413616	36	16	43 1/2	61.0	\$529.00
	CT413618	36	18	43 1/2	64.0	\$539.00
39 3/8" WIDE	CT413910	39	10	43 1/2	50.0	\$505.00
	CT413912	39	12	43 1/2	55.0	\$515.00
	CT413913	39	13	43 1/2	59.0	\$525.00
	CT413915	39	15	43 1/2	60.0	\$530.00
	CT413916	39	16	43 1/2	62.0	\$535.00
	CT413918	39	18	43 1/2	66.0	\$545.00
42" WIDE	CT414210	42	10	43 1/2	55.0	\$512.00
	CT414212	42	12	43 1/2	60.0	\$522.00
	CT414213	42	13	43 1/2	63.0	\$531.00
	CT414215	42	15	43 1/2	65.0	\$535.00
	CT414216	42	16	43 1/2	67.0	\$541.00
	CT414218	42	18	43 1/2	73.0	\$545.00

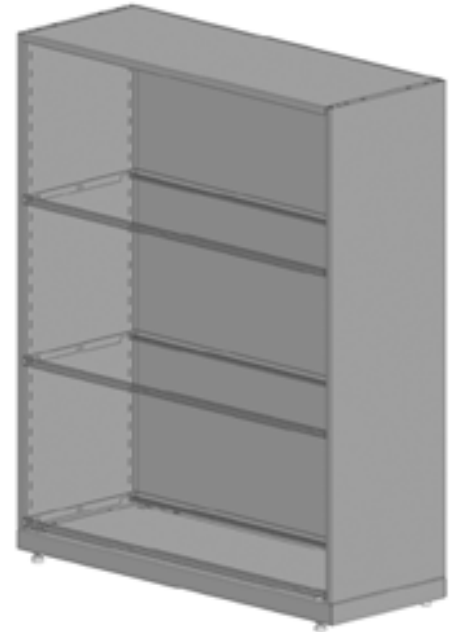


Illustration to be used as a reference only  
**Shelves** and **accessories** are not included

Can accommodate 3 levels of storage without sliding reference shelf

### Notes :

- Shelves and accessories are not included (see page **CT/11** and **CT/12** for shelves and see page **CT/13** to **CT/20** for accessories)
- Levelers are included with each cabinet

# CABINET

34 1/2" high including 2" base

# CABINET STYLE

	CODE #	W	D	H Including 2" Base	lbs	\$
30" WIDE	CT323010	30	10	34 1/2	28.0	\$494.00
	CT323012	30	12	34 1/2	33.0	\$504.00
	CT323013	30	13	34 1/2	36.0	\$506.00
	CT323015	30	15	34 1/2	37.0	\$511.00
	CT323016	30	16	34 1/2	39.0	\$520.00
	CT323018	30	18	34 1/2	41.0	\$534.00
36" WIDE	CT323610	36	10	34 1/2	36.0	\$495.00
	CT323612	36	12	34 1/2	41.0	\$505.00
	CT323613	36	13	34 1/2	45.0	\$508.00
	CT323615	36	15	34 1/2	46.0	\$515.00
	CT323616	36	16	34 1/2	48.0	\$525.00
	CT323618	36	18	34 1/2	51.0	\$535.00
39 3/8" WIDE	CT323910	39	10	34 1/2	39.0	\$500.00
	CT323912	39	12	34 1/2	44.0	\$510.00
	CT323913	39	13	34 1/2	47.0	\$522.00
	CT323915	39	15	34 1/2	48.0	\$527.00
	CT323916	39	16	34 1/2	49.0	\$532.00
	CT323918	39	18	34 1/2	53.0	\$542.00
42" WIDE	CT324210	42	10	34 1/2	43.0	\$510.00
	CT324212	42	12	34 1/2	48.0	\$520.00
	CT324213	42	13	34 1/2	50.0	\$528.00
	CT324215	42	15	34 1/2	52.0	\$533.00
	CT324216	42	16	34 1/2	53.0	\$539.00
	CT324218	42	18	34 1/2	60.0	\$543.00

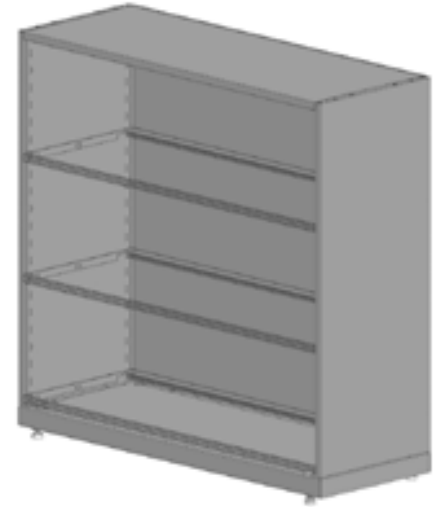


Illustration to be used as a reference only  
**Shelves** and **accessories** are not included

Can accommodate 3 levels of storage without sliding reference shelf

**Notes :**

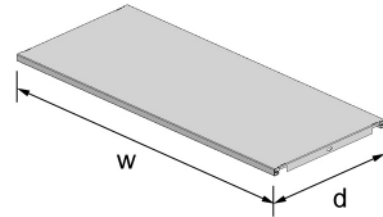
- Shelves and accessories are not included (see page **CT/11** and **CT/12** for shelves and see page **CT/13** to **CT/20** for accessories)
- Levelers are included with each cabinet

**CT/10**

# PLAIN SHELF ASSEMBLY KIT WITH HOOKS

# CABINET STYLE

	CODE #	W	D	r*	lbs	\$
30" WIDE	QS3010SHA	30	10	-	5.6	\$19.60
	QS3012SHA	30	12	-	6.4	\$21.50
	QS3013SHA	30	13	-	6.8	\$22.40
	QS3015SHA	30	15	-	7.6	\$24.30
	QS3016SHA	30	16	-	8.1	\$25.20
	QS3018SHA	30	18	-	8.9	\$27.10
36" WIDE	QS3610SHA	36	10	-	6.7	\$22.10
	QS3612SHA	36	12	-	7.7	\$24.30
	QS3613SHA	36	13	-	8.2	\$25.50
	QS3615SHA	36	15	-	9.2	\$27.70
	QS3616SHA	36	16	-	9.7	\$28.90
	QS3618SHA	36	18	-	10.7	\$31.10
39 3/8" WIDE	QS3910SHA	39	10	-	7.3	\$23.50
	QS3912SHA	39	12	-	8.4	\$25.90
	QS3913SHA	39	13	-	8.9	\$27.20
	QS3915SHA	39	15	-	10.0	\$42.80
	QS3916SHA	39	16	-	13.0	\$44.00
	QS3918SHA	39	18	-	14.1	\$46.40
42" WIDE	QS4210SHA	42	10	-	7.8	\$24.60
	QS4212SHA	42	12	-	11.2	\$40.30
	QS4213SHA	42	13	-	11.8	\$41.50
	QS4215SHA	42	15	1	13.0	\$44.10
	QS4216SHA	42	16	1	13.6	\$45.30
	QS4218SHA	42	18	1	14.7	\$47.80



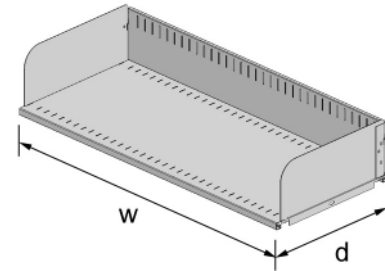
**Notes :**

- 4 aluminium hooks included
- 4-bend 3/4" thick shelf
- 18 gauge
- r\* Quantity of welded reinforcements included per assembly

# SLOTTED SHELF ASSEMBLY KIT WITH HOOKS

# CABINET STYLE

	CODE #	W	D	r*	lbs	\$
30" WIDE	QSC3010SHA	30	10	-	8.8	\$37.10
	QSC3012SHA	30	12	-	9.9	\$40.20
	QSC3013SHA	30	13	-	10.4	\$41.60
	QSC3015SHA	30	15	-	11.5	\$44.10
	QSC3016SHA	30	16	-	12.1	\$45.80
	QSC3018SHA	30	18	-	13.2	\$49.30
36" WIDE	QSC3610SHA	36	10	-	10.3	\$40.50
	QSC3612SHA	36	12	-	11.5	\$44.00
	QSC3613SHA	36	13	-	12.2	\$45.50
	QSC3615SHA	36	15	-	13.5	\$48.40
	QSC3616SHA	36	16	-	14.1	\$50.30
	QSC3618SHA	36	18	-	15.4	\$54.20
39 3/8" WIDE	QSC3910SHA	39	10	-	11.1	\$42.40
	QSC3912SHA	39	12	-	12.5	\$46.10
	QSC3913SHA	39	13	-	13.2	\$47.70
	QSC3915SHA	39	15	-	14.5	\$50.80
	QSC3916SHA	39	16	-	17.6	\$65.60
	QSC3918SHA	39	18	-	19.0	\$57.00
42" WIDE	QSC4210SHA	42	10	-	11.8	\$43.90
	QSC4212SHA	42	12	-	15.5	\$60.30
	QSC4213SHA	42	13	-	16.2	\$62.00
	QSC4215SHA	42	15	1	17.6	\$65.60
	QSC4216SHA	42	16	1	18.4	\$67.30
	QSC4218SHA	42	18	1	19.8	\$71.90



**Notes :**

- 4 aluminium hooks included
- 4-bend 3/4" thick shelf
- 18 gauge
- Two 6" high end dividers included
- 5" high slotted back stop included

r\* Quantity of welded reinforcements included per assembly

**CT/12**

Issued 06-01-2005

CODE #                      W   D   H                      lbs                      \$

**DIVIDERS**

QS.DIV6/10	-	10	6	0.6	\$2.90
QS.DIV6/12	-	12	6	0.7	\$3.00
QS.DIV6/13	-	13	6	0.8	\$3.25
QS.DIV6/15	-	15	6	0.9	\$3.50
QS.DIV6/16	-	16	6	1.0	\$3.80
QS.DIV6/18	-	18	6	1.1	\$4.25
QS.DIV9/10	-	10	9	0.8	\$3.20
QS.DIV9/12	-	12	9	0.9	\$3.50
QS.DIV9/13	-	13	9	1.0	\$3.75
QS.DIV9/15	-	15	9	1.2	\$4.00
QS.DIV9/16	-	16	9	1.3	\$4.25
QS.DIV9/18	-	18	9	1.5	\$4.75

• Actual depth of divider is 1" less than the actual shelf depth. Ex. : **15" shelf = 14" divider**

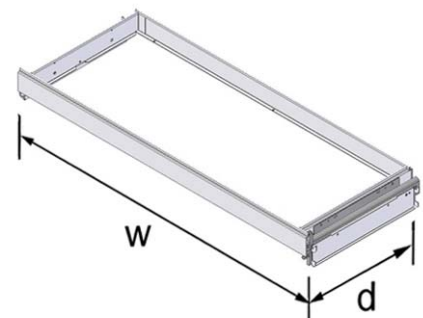
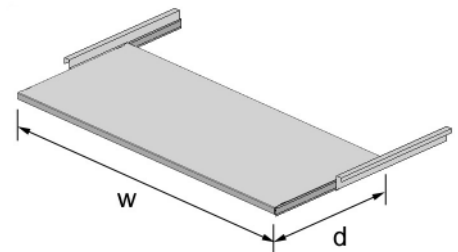
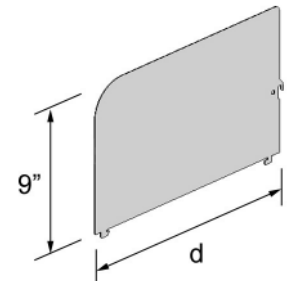
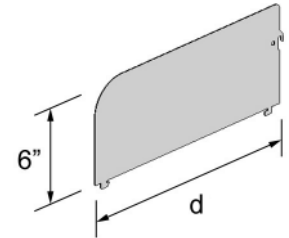
**SLIDING REFERENCE SHELF**

QS.BREH2412	24	12	1	9.6	\$95.70
QS.BREH2415	24	15	1	12.0	\$103.00
QS.BREH3012	30	12	1	12.0	\$101.00
QS.BREH3015	30	15	1	15.0	\$106.00

**SLIDING FRAME FOR PENDALFEX**

CT.TP/30.13	30	13	3	9.3	\$246.00
CT.CP/30.16	30	16	3	9.7	\$254.00
CT.TP/36.13	36	13	3	10.0	\$247.00
CT.TP/36.16	36	16	3	10.4	\$256.00
CT.TP/39.13	39	13	3	10.5	\$248.00
CT.TP/39.16	39	16	3	10.9	\$257.00
CT.TP/42.13	42	13	3	10.8	\$251.00
CT.TP/42.16	42	16	3	11.2	\$258.00

• 13" deep sliding frame is required with 13" deep Cabinet Style  
 • 16" deep sliding frame is required with 16" deep Cabinet Style  
 • Front-to-back and side-to-side supports sold separately (see page **CT/18**)



CODE #                      W    D    H            lbs            \$

**SLIDING FRAME WITH DRAWER FRONT (KEYED DIFFERENT)**

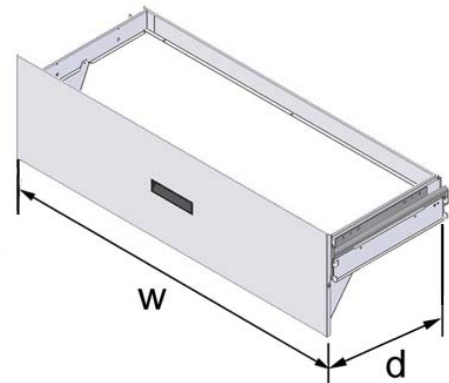
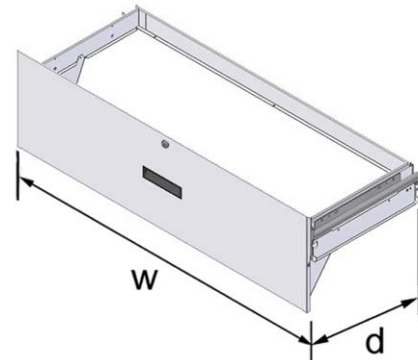
CT.TPFD/30.13	30	13	12	17.0	\$374.00
CT.TPFD/30.16	30	16	12	17.4	\$388.00
CT.TPFD/36.13	36	13	12	19.0	\$378.00
CT.TPFD/36.16	36	16	12	19.4	\$393.00
CT.TPFD/39.13	39	13	12	20.1	\$380.00
CT.TPFD/39.16	39	16	12	20.5	\$396.00
CT.TPFD/42.13	42	13	12	20.9	\$383.00
CT.TPFD/42.16	42	16	12	21.3	\$400.00

- If you want keyed alike, substitute "D" with "I" Ex. :  
**CT.TPFI/30.13**
- 13" deep sliding frame is required with 13" deep Cabinet Style
- 16" deep sliding frame is required with 16" deep Cabinet Style
- Front-to-back and side-to-side supports sold separately (see page **CT/18**)

**SLIDING FRAME WITH DRAWER FRONT WITHOUT LOCK**

CT.TPFN/30.13	30	13	12	17.0	\$336.00
CT.TPFN/30.16	30	16	12	17.4	\$350.00
CT.TPFN/36.13	36	13	12	19.0	\$340.00
CT.TPFN/36.16	36	16	12	19.4	\$355.00
CT.TPFN/39.13	39	13	12	20.1	\$342.00
CT.TPFN/39.16	39	16	12	20.5	\$359.00
CT.TPFN/42.13	42	13	12	20.9	\$346.00
CT.TPFN/42.16	42	16	12	21.3	\$362.00

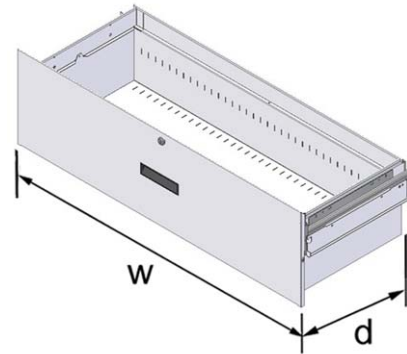
- 13" deep sliding frame is required with 13" deep Cabinet Style
- 16" deep sliding frame is required with 16" deep Cabinet Style
- Front-to-back and side-to-side supports sold separately (see page **CT/18**)



CODE #                      W    D    H            lbs            \$

**FILE DRAWER (KEYED DIFFERENT)**

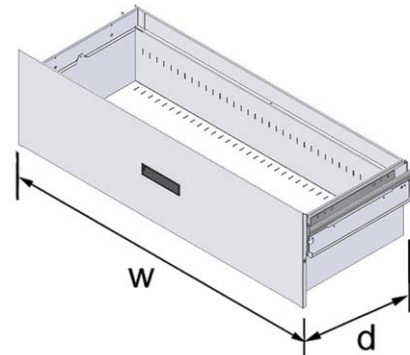
CT.TPFBD/30.13	30	13	12	28.8	\$454.00
CT.TPFBD/30.16	30	16	12	30.2	\$474.00
CT.TPFBD/36.13	36	13	12	32.6	\$463.00
CT.TPFBD/36.16	36	16	12	34.4	\$485.00
CT.TPFBD/39.13	39	13	12	34.8	\$469.00
CT.TPFBD/39.16	39	16	12	36.7	\$491.00
CT.TPFBD/42.13	42	13	12	36.5	\$475.00
CT.TPFBD/42.16	42	16	12	38.5	\$497.00



- If you want keyed alike, substitute "D" with "I" Ex. : **CT.TPFB I/30.13**
- 13" deep file drawer is required with 13" deep Cabinet Style
- 16" deep file drawer is required with 16" deep Cabinet Style
- Front-to-back and side-to-side supports sold separately (see page **CT/18**)

**FILE DRAWER WITHOUT LOCK**

CT.TPFBN/30.13	30	13	12	28.8	\$416.00
CT.TPFBN/30.16	30	16	12	30.2	\$436.00
CT.TPFBN/36.13	36	13	12	32.6	\$426.00
CT.TPFBN/36.16	36	16	12	34.4	\$447.00
CT.TPFBN/39.13	39	13	12	34.8	\$432.00
CT.TPFBN/39.16	39	16	12	36.7	\$454.00
CT.TPFBN/42.13	42	13	12	36.5	\$437.00
CT.TPFBN/42.16	42	16	12	38.5	\$460.00

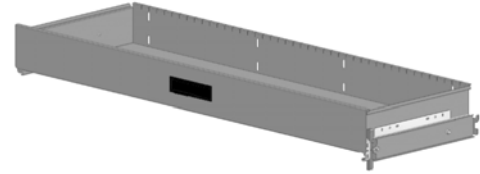


- 13" deep file drawer is required with 13" deep Cabinet Style
- 16" deep file drawer is required with 16" deep Cabinet Style
- Front-to-back and side-to-side supports sold separately (see page **CT/18**)

**ACCESSORIES**

**CABINET STYLE**

	CODE #	W	D	H	lbs	\$
<b>30" WIDE</b>	<b>4 1/2" HIGH DRAWER</b>					
	CT.TM44/30.13	30	13	4 1/2	16.3	<b>\$407.00</b>
	CT.TM44/30.15	30	15	4 1/2	16.7	<b>\$410.00</b>
	CT.TM44/30.16	30	16	4 1/2	16.8	<b>\$413.00</b>
	CT.TM44/30.18	30	18	4 1/2	17.9	<b>\$426.00</b>
<b>36" WIDE</b>	CT.TM44/36.13	36	13	4 1/2	18.2	<b>\$411.00</b>
	CT.TM44/36.15	36	15	4 1/2	18.7	<b>\$415.00</b>
	CT.TM44/36.16	36	16	4 1/2	18.9	<b>\$420.00</b>
	CT.TM44/36.18	36	18	4 1/2	20.2	<b>\$433.00</b>
<b>39 3/8" WIDE</b>	CT.TM44/39.13	39	13	4 1/2	19.3	<b>\$416.00</b>
	CT.TM44/39.15	39	15	4 1/2	19.8	<b>\$418.00</b>
	CT.TM44/39.16	39	16	4 1/2	20.1	<b>\$423.00</b>
	CT.TM44/39.18	39	18	4 1/2	21.5	<b>\$437.00</b>
<b>42" WIDE</b>	CT.TM44/42.13	42	13	4 1/2	20.3	<b>\$432.00</b>
	CT.TM44/42.15	42	15	4 1/2	20.8	<b>\$440.00</b>
	CT.TM44/42.16	42	16	4 1/2	21.3	<b>\$445.00</b>
	CT.TM44/42.18	42	18	4 1/2	22.7	<b>\$459.00</b>



**Notes :**  
 • Front-to-back plain divider sold separately (see page **CT/18**)

**CT/16**

Issued 06-01-2005

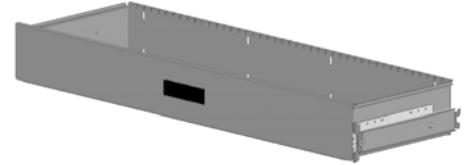
**MONTEL AETNASTAK**

**GSA** Schedule  
 Contract GS-28F-0017M

**ACCESSORIES**

**CABINET STYLE**

	CODE #	W	D	H	lbs	\$
<b>6" HIGH DRAWER</b>						
<b>30" WIDE</b>	CT.TM6/30.13	30	13	6	20.0	<b>\$417.00</b>
	CT.TM6/30.15	30	15	6	20.5	<b>\$423.00</b>
	CT.TM6/30.16	30	16	6	20.7	<b>\$429.00</b>
	CT.TM6/30.18	30	18	6	22.0	<b>\$442.00</b>
<b>36" WIDE</b>	CT.TM6/36.13	36	13	6	22.8	<b>\$426.00</b>
	CT.TM6/36.15	36	15	6	23.4	<b>\$432.00</b>
	CT.TM6/36.16	36	16	6	23.8	<b>\$437.00</b>
	CT.TM6/36.18	36	18	6	25.2	<b>\$451.00</b>
<b>39 3/8" WIDE</b>	CT.TM6/39.13	39	13	6	24.4	<b>\$430.00</b>
	CT.TM6/39.15	39	15	6	25.0	<b>\$436.00</b>
	CT.TM6/39.16	39	16	6	25.5	<b>\$442.00</b>
	CT.TM6/39.18	39	18	6	27.0	<b>\$456.00</b>
<b>42" WIDE</b>	CT.TM6/42.13	42	13	6	26.1	<b>\$451.00</b>
	CT.TM6/42.15	42	15	6	26.8	<b>\$458.00</b>
	CT.TM6/42.16	42	16	6	27.3	<b>\$463.00</b>
	CT.TM6/42.18	42	18	6	28.9	<b>\$478.00</b>



**Notes :**

- Front-to-back plain divider sold separately (see page **CT/18**)

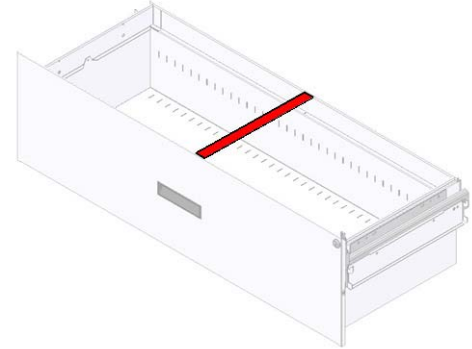
# ACCESSORIES

# CABINET STYLE

CODE #                      W   D   H                      lbs                      \$

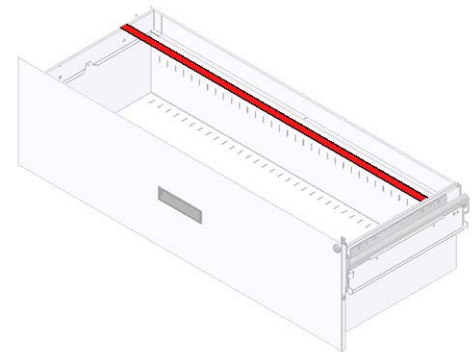
### FRONT-TO-BACK SUPPORT

QS.PFDFB13	-	13	-	0.6	5.10 \$
QS.PFDFB16	-	16	-	0.8	6.10 \$



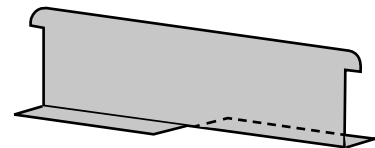
### SIDE-TO-SIDE SUPPORT

QS.PFDLR30	30	-	-	1.4	8.60 \$
QS.PFDLR36	36	-	-	1.7	9.10 \$
QS.PFDLR39	39	-	-	1.8	10.00 \$
QS.PFDLR42	42	-	-	1.9	10.75 \$



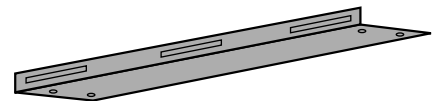
### FRONT-TO-BACK PLAIN DIVIDER

4 1/2" HIGH	QS.DIVS44/13	-	13	4 1/2	0.3	5.00 \$
	QS.DIVS44/15	-	15	4 1/2	0.4	6.60 \$
	QS.DIVS44/16	-	16	4 1/2	0.5	7.00 \$
	QS.DIVS44/18	-	18	4 1/2	0.6	8.00 \$
6" HIGH	QS.DIVS6/13	-	13	6	0.4	6.00 \$
	QS.DIVS6/15	-	15	6	0.5	7.00 \$
	QS.DIVS6/16	-	16	6	0.6	7.60 \$
	QS.DIVS6/18	-	18	6	0.7	8.60 \$



### WALL ANGLE MOUNTING BRACKET

66.722.014/30	30	-	-	4.5	21.00 \$
66.722.014/36	36	-	-	5.6	23.00 \$
66.722.014/39	39	-	-	6.0	25.00 \$
66.722.014/42	42	-	-	6.4	27.00 \$



**CT/18**

Issued 06-01-2005

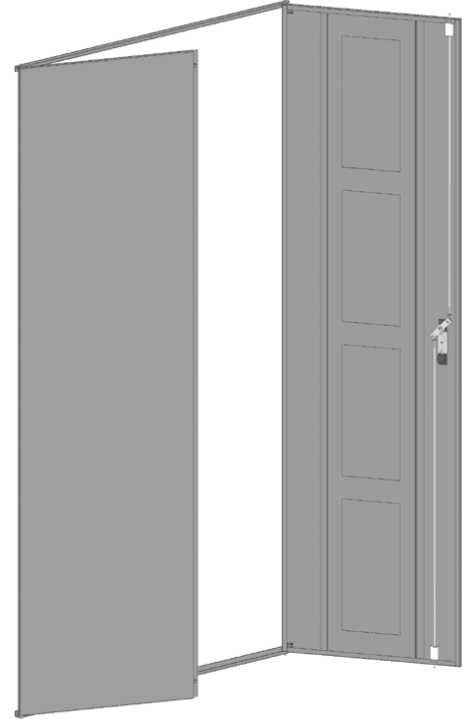
**MONTEL AETNASTAK**

**GSA** Schedule  
Contract GS-28F-2017M

# ACCESSORIES

# CABINET STYLE

	CODE #	W	D	H	lbs	\$
<b>32 1/2" HIGH</b>	<b>DOORS</b> CT.DR3139/300.324	30	-	32 1/2	28.9	<b>\$737.00</b>
	CT.DR3139/360.324	36	-	32 1/2	33.9	<b>\$750.00</b>
	CT.DR3139/393.324	39	-	32 1/2	36.4	<b>\$756.00</b>
	CT.DR3139/420.324	42	-	32 1/2	38.9	<b>\$761.00</b>
<b>41 1/2" HIGH</b>	CT.DR4051/300.414	30	-	41 1/2	33.1	<b>\$748.00</b>
	CT.DR4051/360.414	36	-	41 1/2	39.3	<b>\$764.00</b>
	CT.DR4051/393.414	39	-	41 1/2	42.4	<b>\$771.00</b>
	CT.DR4051/420.414	42	-	41 1/2	45.5	<b>\$779.00</b>
<b>43" HIGH</b>	CT.DR4051/300.430	30	-	43	33.9	<b>\$750.00</b>
	CT.DR4051/360.430	36	-	43	40.2	<b>\$766.00</b>
	CT.DR4051/393.430	39	-	43	43.4	<b>\$773.00</b>
	CT.DR4051/420.430	42	-	43	46.6	<b>\$782.00</b>
<b>55" HIGH</b>	CT.DRS/300.550	30	-	55	39.6	<b>\$761.00</b>
	CT.DRS/360.550	36	-	55	47.4	<b>\$781.00</b>
	CT.DRS/393.550	39	-	55	52.2	<b>\$791.00</b>
	CT.DRS/420.550	42	-	55	57.0	<b>\$807.00</b>
<b>67" HIGH</b>	CT.DRS/300.670	30	-	67	45.3	<b>\$777.00</b>
	CT.DRS/360.670	36	-	67	54.6	<b>\$800.00</b>
	CT.DRS/393.670	39	-	67	59.3	<b>\$813.00</b>
	CT.DRS/420.670	42	-	67	64.0	<b>\$824.00</b>



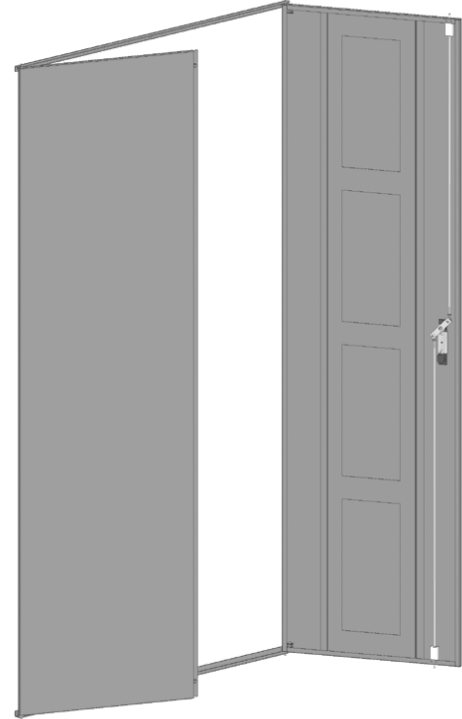
**Notes :**

- To order doors, choose the same height as the cabinet. Ex. :  
Doors **CT.DRS/420.760** require a Cabinet Style **CT764212**

**ACCESSORIES**

**CABINET STYLE**

	CODE #	W	D	H	lbs	\$
76" HIGH	CT.DRS/300.760	30	-	76	48.6	<b>\$785.00</b>
	CT.DRS/360.760	36	-	76	58.8	<b>\$811.00</b>
	CT.DRS/393.760	39	-	76	64.0	<b>\$825.00</b>
	CT.DRS/420.760	42	-	76	69.1	<b>\$837.00</b>
85" HIGH	CT.DRS/300.850	30	-	85	52.9	<b>\$797.00</b>
	CT.DRS/360.850	36	-	85	64.2	<b>\$825.00</b>
	CT.DRS/393.850	39	-	85	69.9	<b>\$841.00</b>
	CT.DRS/420.850	42	-	85	75.6	<b>\$854.00</b>
88" HIGH	CT.DRS/300.880	30	-	88	54.3	<b>\$800.00</b>
	CT.DRS/360.880	36	-	88	66.0	<b>\$831.00</b>
	CT.DRS/393.880	39	-	88	71.9	<b>\$846.00</b>
	CT.DRS/420.880	42	-	88	77.8	<b>\$860.00</b>



**Notes :**

- To order doors, choose the same height as the cabinet. Ex. :  
Doors **CT.DRS/420.760** require a Cabinet Style **CT764212**

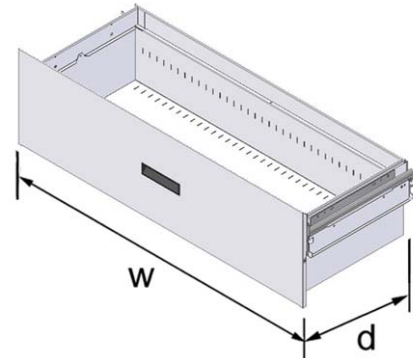
**CT/20**

Issued 06-01-2005

**MONTEL AETNASTAK**

**GSA** Schedule  
Contract GS-28F-0017M

- **QS** : SmartShelf @ 1"
- **CT** : Cabinet Style @ 1 1/2"
- **CT** : Quadral @ 1 1/2"
- **QV** : QuadraVista @ 1"
- **T** : Drawer
- **P** : Pendaflex
- **F** : Front
- **B** : Bottom
- **I** : Alike key
- **D** : Different key
- **N** : No key
- **#** : Width (30", 36", 39", 42", 48")  
**39" = 1 meter**
- **\*** : Depth (13" or 16")



12" high pendaflex frame and file drawer for 13" and 16" deep. Interlock slides are designed to open only one drawer at a time.

**Frame only**

QS.TP/#\*  
CT.TP/#\*  
QV.TP/#\*

With drawer front and lock

With drawer front without lock

No bottom

With bottom

No bottom

With bottom

**Alike key**

QS.TPFI/#\*  
CT.TPFI/#\*  
QV.TPFI/#\*

**Different key**

QS.TPFD/#\*  
CT.TPFD/#\*  
QV.TPFD/#\*

**Alike key**

QS.TPFBI/#\*  
CT.TPFBI/#\*  
QV.TPFBI/#\*

**Different key**

QS.TPFBD/#\*  
CT.TPFBD/#\*  
QV.TPFBD/#\*

QS.TPFN/#\*

CT.TPFN/#\*

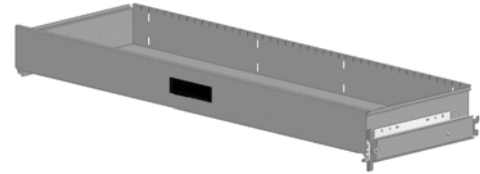
QV.TPFN/#\*

QS.TPFBN/#\*

CT.TPFBN/#\*

QV.TPFBN/#\*

- **QS** : SmartShelf @ 1"
- **CT** : Cabinet Style @ 1 1/2"
- **CT** : Quadral @ 1 1/2"
- **QV** : QuadraVista @ 1"
- **T** : Drawer
- **M** : Multipurpose
- **4** : 4" high
- **44** : 4 1/2" high
- **6** : 6" high
- **8** : 8" high
- **#** : Width (30", 36", 39", 42", 48")  
**39" = 1 meter**
- **\*** : Depth (13" or 16")



Interlock slides are designed to open only one drawer at a time.

**SmartShelf**

QS.TM4/#\*  
QS.TM6/#\*  
QS.TM8/#\*

**Cabinet Style or  
Quadral**

CT.TM44/#\*  
CT.TM6/#\*

**QuadraVista**

QV.TM4/#\*  
QV.TM6/#\*  
QV.TM8/#\*