


# QUADRAMOBILE

HOOK TYPE  
BACK TO BACK  
SHELF

Expandable Modular Mobile Systems



 MONTEL



Phone : **321-777-0464**  
Fax : **312-777-3539**  
Toll Free : **800-772-7562**  
E-Mail : [aetnagsa@montel.com](mailto:aetnagsa@montel.com)  
Web : [www.aetnastak.com](http://www.aetnastak.com)

 **MONTEL**  
**AETNASTAK**

**Kits**

Starter section single face shelving - fixed \_\_\_\_\_ **QM/4-QM/7**  
 Adder section single face shelving - fixed \_\_\_\_\_ **QM/8-QM/11**  
 Starter section single face shelving - mobile \_\_\_\_\_ **QM/12-QM/15**  
 Adder section single face shelving - mobile \_\_\_\_\_ **QM/16-QM/19**  
 Starter section double face shelving - mobile \_\_\_\_\_ **QM/20-QM/23**  
 Adder section double face shelving - mobile \_\_\_\_\_ **QM/24-QM/27**

**Floors**

Modular floor \_\_\_\_\_ **QM/28**

**Options**

Options \_\_\_\_\_ **QM/29**

**Panels**

Steel back panel \_\_\_\_\_ **QM/30-QM-31**  
 Steel front panel fixed section - single face \_\_\_\_\_ **QM/32**  
 Steel front panel mobile section - single face \_\_\_\_\_ **QM/33**  
 Steel front panel mobile section - double face \_\_\_\_\_ **QM/34**

**Carriages**

Carriage fixed section - starter single face \_\_\_\_\_ **QM/35**  
 Carriage fixed section - adder single face \_\_\_\_\_ **QM/36**  
 Carriage mobile section - starter single face \_\_\_\_\_ **QM/37**  
 Carriage mobile section - adder single face \_\_\_\_\_ **QM/38**  
 Carriage mobile section - starter double face \_\_\_\_\_ **QM/39**  
 Carriage mobile section - adder double face \_\_\_\_\_ **QM/40**

**Shelves**

Plain hooked shelf assembly kit 18 gauge \_\_\_\_\_ **QM/41**  
 Slotted hooked shelf assembly kit 18 gauge \_\_\_\_\_ **QM/42**  
 Plain hooked box shelf assembly kit 18 gauge \_\_\_\_\_ **QM/43**  
 Slotted hooked box shelf assembly kit 18 gauge \_\_\_\_\_ **QM/44**

**Accessories**

Divider \_\_\_\_\_ **QM/45**  
 Sliding reference shelf \_\_\_\_\_ **QM/45**  
 Sliding frame for pendaflex \_\_\_\_\_ **QM/45**  
 Sliding frame with drawer front (keyed different or alike) \_\_\_\_\_ **QM/46**  
 Sliding frame with drawer front without lock \_\_\_\_\_ **QM/46**  
 File drawer (keyed different or alike) \_\_\_\_\_ **QM/47**  
 File drawer without lock \_\_\_\_\_ **QM/47**  
 4" high drawer \_\_\_\_\_ **QM/48**  
 6" high drawer \_\_\_\_\_ **QM/49**  
 8" high drawer \_\_\_\_\_ **QM/50**  
 Front-to-back support \_\_\_\_\_ **QM/51**  
 Side-to-side support \_\_\_\_\_ **QM/51**  
 Front-to-back plain divider \_\_\_\_\_ **QM/51**

# QUADRAMOBILE

Suspension bar for oblique folder_____	<b>QM/52</b>
Suspension bar for computer print-outs_____	<b>QM/52</b>
Findable book support_____	<b>QM/52</b>
Wire book support_____	<b>QM/53</b>
Front stop_____	<b>QM/53</b>
Label holder_____	<b>QM/53</b>
Range finder_____	<b>QM/53</b>
Card holder_____	<b>QM/53</b>
Doors_____	<b>QM/54</b>

# QUADRAMOBILE SMART BACK-TO-BACK HOOKED **QUADRAMOBILE**

Fixed section 76" high

	CODE #	W	D	H	lbs	\$
		Frame				
<b>30" WIDE</b>	<b>STARTER SECTION SINGLE FACE SHELVING - FIXED</b>					
	QMSH.FSE763012	30	12	76	83.0	<b>\$725.00</b>
	QMSH.FSE763013	30	13	76	86.4	<b>\$731.00</b>
	QMSH.FSE763015	30	15	76	93.4	<b>\$744.00</b>
	QMSH.FSE763016	30	16	76	96.9	<b>\$749.00</b>
<b>36" WIDE</b>	QMSH.FSE763612**	36	12	76	86.8	<b>\$730.00</b>
	QMSH.FSE763613	36	13	76	90.3	<b>\$737.00</b>
	QMSH.FSE763615**	36	15	76	97.5	<b>\$749.00</b>
	QMSH.FSE763616	36	16	76	101.0	<b>\$756.00</b>
<b>39 3/8" WIDE</b>	QMSH.FSE763912	39	12	76	87.3	<b>\$735.00</b>
	QMSH.FSE763913	39	13	76	90.9	<b>\$740.00</b>
	QMSH.FSE763915	39	15	76	98.1	<b>\$754.00</b>
	QMSH.FSE763916	39	16	76	101.7	<b>\$759.00</b>
<b>42" WIDE</b>	QMSH.FSE764212	42	12	76	90.0	<b>\$737.00</b>
	QMSH.FSE764213	42	13	76	93.6	<b>\$743.00</b>
	QMSH.FSE764215	42	15	76	100.9	<b>\$756.00</b>
	QMSH.FSE764216	42	16	76	104.6	<b>\$763.00</b>
<b>48" WIDE</b>	QMSH.FSE764812	48	12	76	92.5	<b>\$742.00</b>
	QMSH.FSE764813	48	13	76	96.2	<b>\$749.00</b>
	QMSH.FSE764815	48	15	76	103.7	<b>\$762.00</b>
	QMSH.FSE764816	48	16	76	107.4	<b>\$769.00</b>

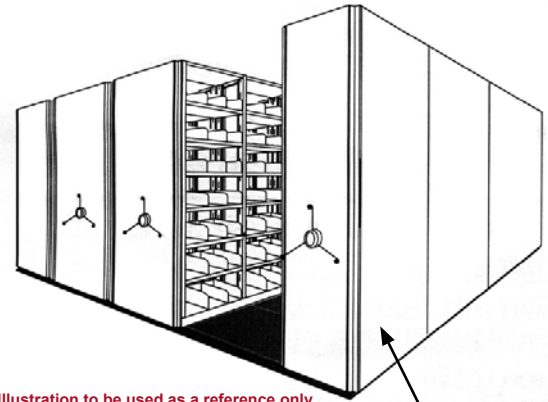


Illustration to be used as a reference only

Shelves and modular floor not included (see page **QM/41-QM/44** for shelves and see page **QM/28** for floor) **STARTER**

- Components for a single face **starter** section
- 1 single carriage with bumper
  - 1 front panel
  - 2 upright frames
  - 1 canopy top

**Notes :**

- Aluminium extrusions not available
- Add 5" high for the overall height
- Maximum length = 12 feet
- \*\* Available on QuickShip program (see **QuickShip** tab)

**QM/4**

# QUADRAMOBILE SMART BACK-TO-BACK HOOKED **QUADRAMOBILE**

Fixed section 79" high

CODE #	W	D	H	lbs	\$	
	Frame					
<b>STARTER SECTION SINGLE FACE SHELVING - FIXED</b>						
<b>30" WIDE</b>	QMSH.FSE793012	30	12	79	84.8	<b>\$732.00</b>
	QMSH.FSE793013	30	13	79	88.4	<b>\$738.00</b>
	QMSH.FSE793015	30	15	79	95.5	<b>\$751.00</b>
	QMSH.FSE793016	30	16	79	99.0	<b>\$756.00</b>
<b>36" WIDE</b>	QMSH.FSE793612	36	12	79	88.6	<b>\$737.00</b>
	QMSH.FSE793613	36	13	79	92.3	<b>\$744.00</b>
	QMSH.FSE793615	36	15	79	99.5	<b>\$757.00</b>
	QMSH.FSE793616	36	16	79	103.1	<b>\$763.00</b>
<b>39 3/8" WIDE</b>	QMSH.FSE793912	39	12	79	89.1	<b>\$742.00</b>
	QMSH.FSE793913	39	13	79	92.8	<b>\$747.00</b>
	QMSH.FSE793915	39	15	79	100.2	<b>\$761.00</b>
	QMSH.FSE793916	39	16	79	103.8	<b>\$766.00</b>
<b>42" WIDE</b>	QMSH.FSE794212	42	12	79	91.9	<b>\$744.00</b>
	QMSH.FSE794213	42	13	79	95.6	<b>\$750.00</b>
	QMSH.FSE794215	42	15	79	103.0	<b>\$764.00</b>
	QMSH.FSE794216	42	16	79	106.7	<b>\$770.00</b>
<b>48" WIDE</b>	QMSH.FSE794812	48	12	79	94.4	<b>\$750.00</b>
	QMSH.FSE794813	48	13	79	98.2	<b>\$756.00</b>
	QMSH.FSE794815	48	15	79	105.8	<b>\$769.00</b>
	QMSH.FSE794816	48	16	79	109.5	<b>\$776.00</b>

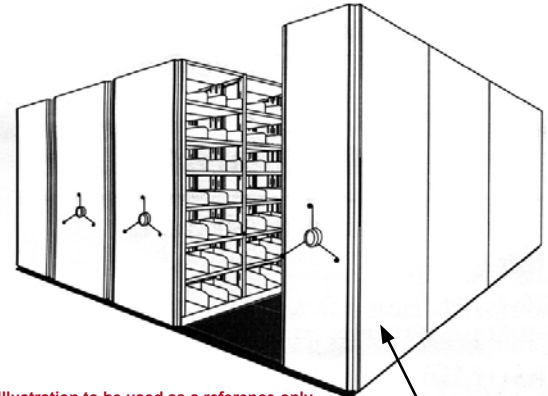


Illustration to be used as a reference only

Shelves and modular floor not included (see page **QM/41-QM/44** for shelves and see page **QM/28** for floor) **STARTER**

- Components for a single face **starter** section
- 1 single carriage with bumper
  - 1 front panel
  - 2 upright frames
  - 1 canopy top

**Notes :**

- Aluminium extrusions not available
- Add 5" high for the overall height
- Maximum length = 12 feet



Issued 06-01-2005

**QM/5**

# QUADRAMOBILE SMART BACK-TO-BACK HOOKED **QUADRAMOBILE**

Fixed section 85" high

CODE #	W	D	H	lbs	\$	
	Frame					
<b>STARTER SECTION SINGLE FACE SHELVING - FIXED</b>						
<b>30" WIDE</b>	QMSH.FSE853012	30	12	85	88.6	<b>\$735.00</b>
	QMSH.FSE853013	30	13	85	92.2	<b>\$741.00</b>
	QMSH.FSE853015	30	15	85	99.6	<b>\$755.00</b>
	QMSH.FSE853016	30	16	85	103.2	<b>\$760.00</b>
<b>36" WIDE</b>	QMSH.FSE853612**	36	12	85	92.4	<b>\$740.00</b>
	QMSH.FSE853613	36	13	85	96.1	<b>\$748.00</b>
	QMSH.FSE853615**	36	15	85	103.6	<b>\$761.00</b>
	QMSH.FSE853616	36	16	85	107.4	<b>\$767.00</b>
<b>39 3/8" WIDE</b>	QMSH.FSE853912	39	12	85	92.9	<b>\$745.00</b>
	QMSH.FSE853913	39	13	85	96.7	<b>\$751.00</b>
	QMSH.FSE853915	39	15	85	104.3	<b>\$765.00</b>
	QMSH.FSE853916	39	16	85	108.0	<b>\$770.00</b>
<b>42" WIDE</b>	QMSH.FSE854212	42	12	85	95.6	<b>\$748.00</b>
	QMSH.FSE854213	42	13	85	99.4	<b>\$753.00</b>
	QMSH.FSE854215	42	15	85	107.1	<b>\$767.00</b>
	QMSH.FSE854216	42	16	85	110.9	<b>\$774.00</b>
<b>48" WIDE</b>	QMSH.FSE854812	48	12	85	98.1	<b>\$753.00</b>
	QMSH.FSE854813	48	13	85	102.0	<b>\$760.00</b>
	QMSH.FSE854815	48	15	85	109.9	<b>\$773.00</b>
	QMSH.FSE854816	48	16	85	113.8	<b>\$780.00</b>

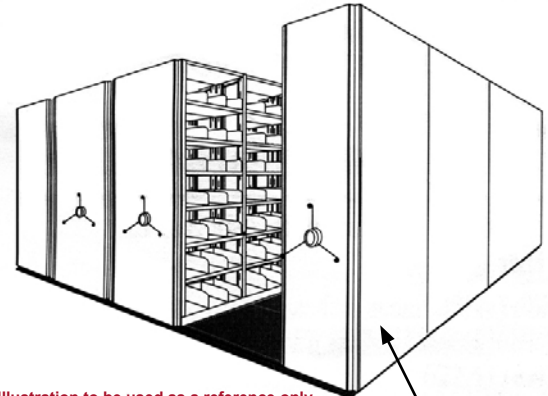


Illustration to be used as a reference only

Shelves and modular floor not included (see page **QM/41-QM/44** for shelves and see page **QM/28** for floor) **STARTER**

- Components for a single face **starter** section
- 1 single carriage with bumper
  - 1 front panel
  - 2 upright frames
  - 1 canopy top

**Notes :**

- Aluminium extrusions not available
- Add 5" high for the overall height
- Maximum length = 12 feet
- \*\* Available on QuickShip program (see **QuickShip** tab)

**QM/6**

# QUADRAMOBILE SMART BACK-TO-BACK HOOKED **QUADRAMOBILE**

Fixed section 88" high

CODE #	W	D	H	lbs	\$	
	Frame					
<b>STARTER SECTION SINGLE FACE SHELVING - FIXED</b>						
<b>30" WIDE</b>	QMSH.FSE883012	30	12	88	90.4	<b>\$739.00</b>
	QMSH.FSE883013	30	13	88	94.2	<b>\$745.00</b>
	QMSH.FSE883015	30	15	88	101.6	<b>\$759.00</b>
	QMSH.FSE883016	30	16	88	105.3	<b>\$764.00</b>
<b>36" WIDE</b>	QMSH.FSE883612**	36	12	88	94.2	<b>\$744.00</b>
	QMSH.FSE883613	36	13	88	98.0	<b>\$752.00</b>
	QMSH.FSE883615**	36	15	88	105.7	<b>\$764.00</b>
	QMSH.FSE883616	36	16	88	109.5	<b>\$771.00</b>
<b>39 3/8" WIDE</b>	QMSH.FSE883912	39	12	88	94.7	<b>\$749.00</b>
	QMSH.FSE883913	39	13	88	98.6	<b>\$755.00</b>
	QMSH.FSE883915	39	15	88	106.3	<b>\$769.00</b>
	QMSH.FSE883916	39	16	88	110.2	<b>\$774.00</b>
<b>42" WIDE</b>	QMSH.FSE884212	42	12	88	97.5	<b>\$751.00</b>
	QMSH.FSE884213	42	13	88	101.4	<b>\$757.00</b>
	QMSH.FSE884215	42	15	88	109.2	<b>\$771.00</b>
	QMSH.FSE884216	42	16	88	113.0	<b>\$778.00</b>
<b>48" WIDE</b>	QMSH.FSE884812	48	12	88	100.0	<b>\$757.00</b>
	QMSH.FSE884813	48	13	88	104.0	<b>\$764.00</b>
	QMSH.FSE884815	48	15	88	111.9	<b>\$777.00</b>
	QMSH.FSE884816	48	16	88	115.9	<b>\$784.00</b>

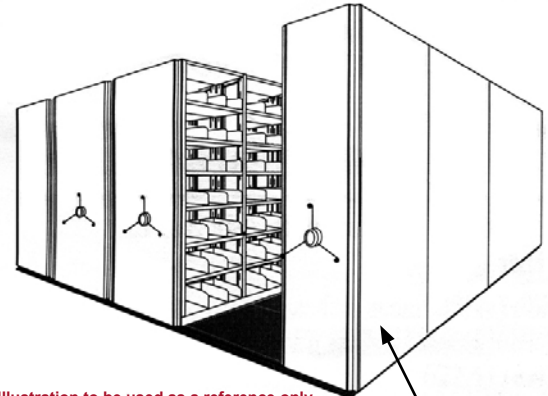


Illustration to be used as a reference only

Shelves and modular floor not included (see page **QM/41-QM/44** for shelves and see page **QM/28** for floor) **STARTER**

- Components for a single face **starter** section
- 1 single carriage with bumper
  - 1 front panel
  - 2 upright frames
  - 1 canopy top

**Notes :**

- Aluminium extrusions not available
- Add 5" high for the overall height
- Maximum length = 12 feet
- \*\* Available on QuickShip program (see **QuickShip** tab)



Issued 06-01-2005

**QM/7**

# QUADRAMOBILE SMART BACK-TO-BACK HOOKED **QUADRAMOBILE**

Fixed section 76" high

	CODE #	W	D	H	lbs	\$
		Frame				
<b>ADDER SECTION SINGLE FACE SHELVING - FIXED</b>						
30" WIDE	QMSH.FAE763012	30	12	76	36.3	\$360.00
	QMSH.FAE763013	30	13	76	37.6	\$363.00
	QMSH.FAE763015	30	15	76	40.1	\$368.00
	QMSH.FAE763016	30	16	76	41.4	\$371.00
36" WIDE	QMSH.FAE763612**	36	12	76	38.9	\$365.00
	QMSH.FAE763613	36	13	76	40.3	\$368.00
	QMSH.FAE763615**	36	15	76	43.0	\$374.00
	QMSH.FAE763616	36	16	76	44.3	\$377.00
39 3/8" WIDE	QMSH.FAE763912	39	12	76	40.4	\$368.00
	QMSH.FAE763913	39	13	76	41.8	\$371.00
	QMSH.FAE763915	39	15	76	44.6	\$377.00
	QMSH.FAE763916	39	16	76	46.0	\$381.00
42" WIDE	QMSH.FAE764212	42	12	76	41.5	\$370.00
	QMSH.FAE764213	42	13	76	43.0	\$373.00
	QMSH.FAE764215	42	15	76	45.8	\$380.00
	QMSH.FAE764216	42	16	76	47.3	\$384.00
48" WIDE	QMSH.FAE764812	48	12	76	44.1	\$377.00
	QMSH.FAE764813	48	13	76	45.6	\$380.00
	QMSH.FAE764815	48	15	76	48.7	\$386.00
	QMSH.FAE764816	48	16	76	50.2	\$389.00

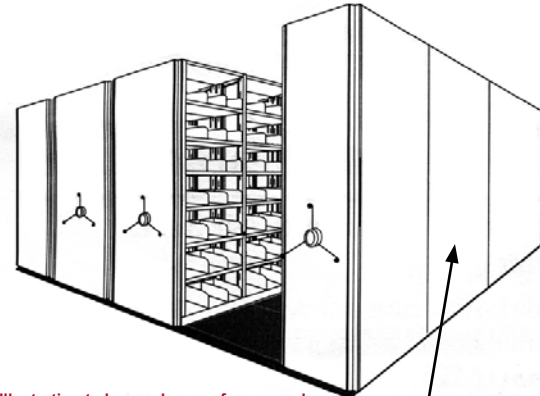


Illustration to be used as a reference only

Shelves and modular floor not included (see page **QM/41-QM/44** for shelves and see page **QM/28** for floor) **ADDER**

Components for a single face **adder** section

- 1 single carriage
- 1 upright frame
- 1 canopy top

**Notes :**

- Aluminium extrusions not available
- Add 5" high for the overall height
- Maximum length = 12 feet
- \*\* Available on QuickShip program (see **QuickShip** tab)

**QM/8**

Issued 06-01-2005



# QUADRAMOBILE SMART BACK-TO-BACK HOOKED **QUADRAMOBILE**

Fixed section 79" high

CODE #	W	D	H	lbs	\$	
	Frame					
<b>ADDER SECTION SINGLE FACE SHELVING - FIXED</b>						
<b>30" WIDE</b>	QMSH.FAE793012	30	12	79	36.8	<b>\$363.00</b>
	QMSH.FAE793013	30	13	79	38.1	<b>\$366.00</b>
	QMSH.FAE793015	30	15	79	40.7	<b>\$371.00</b>
	QMSH.FAE793016	30	16	79	41.9	<b>\$374.00</b>
<b>36" WIDE</b>	QMSH.FAE793612	36	12	79	39.4	<b>\$368.00</b>
	QMSH.FAE793613	36	13	79	40.8	<b>\$371.00</b>
	QMSH.FAE793615	36	15	79	43.5	<b>\$377.00</b>
	QMSH.FAE793616	36	16	79	44.9	<b>\$380.00</b>
<b>39 3/8" WIDE</b>	QMSH.FAE793912	39	12	79	40.9	<b>\$371.00</b>
	QMSH.FAE793913	39	13	79	42.3	<b>\$374.00</b>
	QMSH.FAE793915	39	15	79	45.1	<b>\$380.00</b>
	QMSH.FAE793916	39	16	79	46.5	<b>\$384.00</b>
<b>42" WIDE</b>	QMSH.FAE794212	42	12	79	42.0	<b>\$373.00</b>
	QMSH.FAE794213	42	13	79	43.5	<b>\$376.00</b>
	QMSH.FAE794215	42	15	79	46.4	<b>\$383.00</b>
	QMSH.FAE794216	42	16	79	47.8	<b>\$387.00</b>
<b>48" WIDE</b>	QMSH.FAE794812	48	12	79	44.6	<b>\$380.00</b>
	QMSH.FAE794813	48	13	79	46.2	<b>\$383.00</b>
	QMSH.FAE794815	48	15	79	49.2	<b>\$389.00</b>
	QMSH.FAE794816	48	16	79	50.7	<b>\$392.00</b>

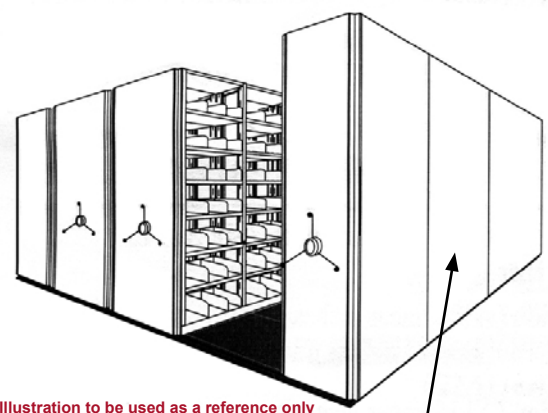


Illustration to be used as a reference only

Shelves and modular floor not included (see page **QM/41-QM/44** for shelves and see page **QM/28** for floor) **ADDER**

Components for a single face **adder** section

- 1 single carriage
- 1 upright frame
- 1 canopy top

**Notes :**

- Aluminium extrusions not available
- Add 5" high for the overall height
- Maximum length = 12 feet

# QUADRAMOBILE SMART BACK-TO-BACK HOOKED **QUADRAMOBILE**

Fixed section 85" high

CODE #	W	D	H	lbs	\$	
	Frame					
<b>ADDER SECTION SINGLE FACE SHELVING - FIXED</b>						
<b>30" WIDE</b>	QMSH.FAE853012	30	12	85	37.9	<b>\$364.00</b>
	QMSH.FAE853013	30	13	85	39.2	<b>\$366.00</b>
	QMSH.FAE853015	30	15	85	41.7	<b>\$372.00</b>
	QMSH.FAE853016	30	16	85	43.0	<b>\$374.00</b>
<b>36" WIDE</b>	QMSH.FAE853612**	36	12	85	40.5	<b>\$369.00</b>
	QMSH.FAE853613	36	13	85	41.8	<b>\$371.00</b>
	QMSH.FAE853615**	36	15	85	44.6	<b>\$377.00</b>
	QMSH.FAE853616	36	16	85	45.9	<b>\$380.00</b>
<b>39 3/8" WIDE</b>	QMSH.FAE853912	39	12	85	41.9	<b>\$371.00</b>
	QMSH.FAE853913	39	13	85	43.4	<b>\$374.00</b>
	QMSH.FAE853915	39	15	85	46.2	<b>\$380.00</b>
	QMSH.FAE853916	39	16	85	47.6	<b>\$384.00</b>
<b>42" WIDE</b>	QMSH.FAE854212	42	12	85	43.1	<b>\$374.00</b>
	QMSH.FAE854213	42	13	85	44.5	<b>\$376.00</b>
	QMSH.FAE854215	42	15	85	47.4	<b>\$384.00</b>
	QMSH.FAE854216	42	16	85	48.9	<b>\$388.00</b>
<b>48" WIDE</b>	QMSH.FAE854812	48	12	85	45.7	<b>\$380.00</b>
	QMSH.FAE854813	48	13	85	47.2	<b>\$384.00</b>
	QMSH.FAE854815	48	15	85	50.3	<b>\$389.00</b>
	QMSH.FAE854816	48	16	85	51.8	<b>\$392.00</b>

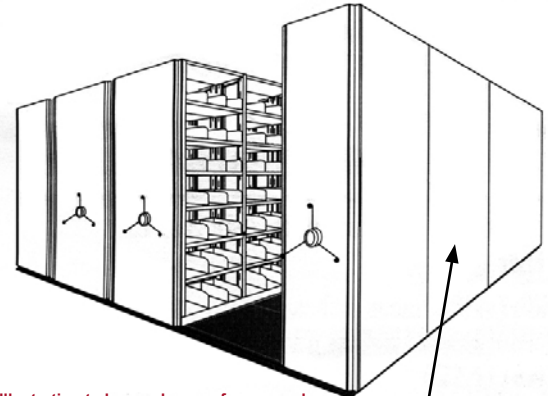


Illustration to be used as a reference only

Shelves and modular floor not included (see page **QM/41-QM/44** for shelves and see page **QM/28** for floor) **ADDER**

- Components for a single face **adder** section
- 1 single carriage
  - 1 upright frame
  - 1 canopy top

**Notes :**

- Aluminium extrusions not available
- Add 5" high for the overall height
- Maximum length = 12 feet
- \*\* Available on QuickShip program (see **QuickShip** tab)

**QM/10**

Issued 06-01-2005

# QUADRAMOBILE SMART BACK-TO-BACK HOOKED **QUADRAMOBILE**

Fixed section 88" high

	CODE #	W	D	H	lbs	\$
		Frame				
<b>ADDER SECTION SINGLE FACE SHELVING - FIXED</b>						
<b>30" WIDE</b>	QMSH.FAE883012	30	12	88	38.4	<b>\$365.00</b>
	QMSH.FAE883013	30	13	88	39.7	<b>\$368.00</b>
	QMSH.FAE883015	30	15	88	42.2	<b>\$373.00</b>
	QMSH.FAE883016	30	16	88	43.5	<b>\$375.00</b>
<b>36" WIDE</b>	QMSH.FAE883612**	36	12	88	41.0	<b>\$370.00</b>
	QMSH.FAE883613	36	13	88	42.4	<b>\$373.00</b>
	QMSH.FAE883615**	36	15	88	45.1	<b>\$378.00</b>
	QMSH.FAE883616	36	16	88	46.4	<b>\$381.00</b>
<b>39 3/8" WIDE</b>	QMSH.FAE883912	39	12	88	42.5	<b>\$372.00</b>
	QMSH.FAE883913	39	13	88	43.9	<b>\$375.00</b>
	QMSH.FAE883915	39	15	88	46.7	<b>\$381.00</b>
	QMSH.FAE883916	39	16	88	48.1	<b>\$385.00</b>
<b>42" WIDE</b>	QMSH.FAE884212	42	12	88	43.6	<b>\$375.00</b>
	QMSH.FAE884213	42	13	88	45.1	<b>\$378.00</b>
	QMSH.FAE884215	42	15	88	47.9	<b>\$385.00</b>
	QMSH.FAE884216	42	16	88	49.4	<b>\$389.00</b>
<b>48" WIDE</b>	QMSH.FAE884812	48	12	88	46.2	<b>\$382.00</b>
	QMSH.FAE884813	48	13	88	47.7	<b>\$385.00</b>
	QMSH.FAE884815	48	15	88	50.8	<b>\$390.00</b>
	QMSH.FAE884816	48	16	88	52.3	<b>\$393.00</b>

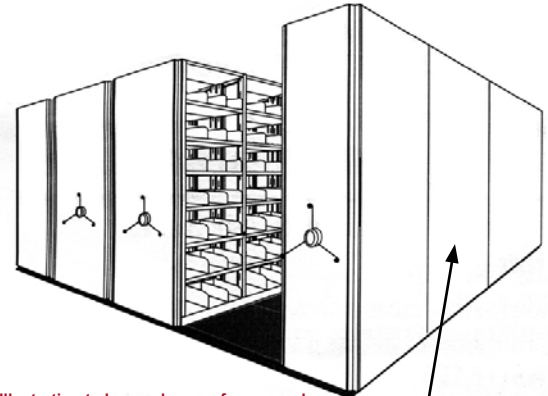


Illustration to be used as a reference only

Shelves and modular floor not included (see page **QM/41-QM/44** for shelves and see page **QM/28** for floor) **ADDER**

Components for a single face **adder** section

- 1 single carriage
- 1 upright frame
- 1 canopy top

**Notes :**

- Aluminium extrusions not available
- Add 5" high for the overall height
- Maximum length = 12 feet
- \*\* Available on QuickShip program (see **QuickShip** tab)



**QM/11**



# QUADRAMOBILE SMART BACK-TO-BACK HOOKED **QUADRAMOBILE**

Mobile section 79" high

CODE #	W	D	H	lbs	\$	
	Frame					
<b>STARTER SECTION SINGLE FACE SHELVING - MOBILE</b>						
<b>30" WIDE</b>	QMSH.MSE793012	30	12	79	88.0	\$1,311.00
	QMSH.MSE793013	30	13	79	93.5	\$1,317.00
	QMSH.MSE793015	30	15	79	99.1	\$1,330.00
	QMSH.MSE793016	30	16	79	102.9	\$1,335.00
<b>36" WIDE</b>	QMSH.MSE793612	36	12	79	91.8	\$1,325.00
	QMSH.MSE793613	36	13	79	97.4	\$1,330.00
	QMSH.MSE793615	36	15	79	103.2	\$1,343.00
	QMSH.MSE793616	36	16	79	107.0	\$1,350.00
<b>39 3/8" WIDE</b>	QMSH.MSE793912	39	12	79	92.3	\$1,331.00
	QMSH.MSE793913	39	13	79	97.9	\$1,337.00
	QMSH.MSE793915	39	15	79	103.8	\$1,351.00
	QMSH.MSE793916	39	16	79	107.7	\$1,357.00
<b>42" WIDE</b>	QMSH.MSE794212	42	12	79	95.1	\$1,338.00
	QMSH.MSE794213	42	13	79	100.7	\$1,344.00
	QMSH.MSE794215	42	15	79	106.7	\$1,358.00
	QMSH.MSE794216	42	16	79	110.6	\$1,365.00
<b>48" WIDE</b>	QMSH.MSE794812	48	12	79	97.6	\$1,357.00
	QMSH.MSE794813	48	13	79	103.3	\$1,363.00
	QMSH.MSE794815	48	15	79	109.4	\$1,376.00
	QMSH.MSE794816	48	16	79	113.5	\$1,383.00

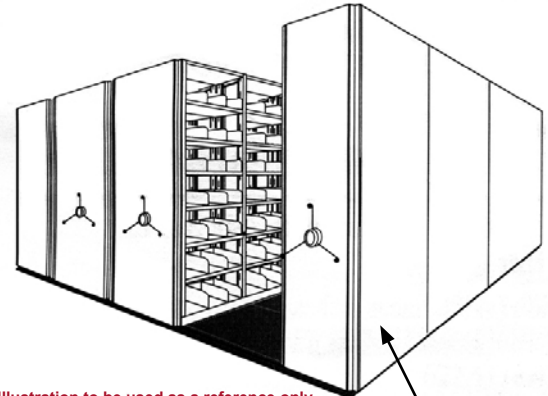


Illustration to be used as a reference only

Shelves and modular floor not included (see page **QM/41-QM/44** for shelves and see page **QM/28** for floor) **STARTER**

- Components for a single face **starter** section
- 1 single carriage with bumper
  - 1 front panel+handle including a safety locking pin
  - 2 upright frames
  - 1 canopy top

**Notes :**

- Locking device not included (see page **QM/28**)
- Aluminium extrusions not available
- Add 5" high for the overall height
- Maximum length = 12 feet



Issued 06-01-2005

**QM/13**

# QUADRAMOBILE SMART BACK-TO-BACK HOOKED **QUADRAMOBILE**

Mobile section 85" high

CODE #	W	D	H	lbs	\$	
	Frame					
<b>STARTER SECTION SINGLE FACE SHELVING - MOBILE</b>						
<b>30" WIDE</b>	QMSH.MSE853012	30	12	85	91.8	<b>\$1,315.00</b>
	QMSH.MSE853013	30	13	85	97.4	<b>\$1,320.00</b>
	QMSH.MSE853015	30	15	85	103.2	<b>\$1,333.00</b>
	QMSH.MSE853016	30	16	85	107.1	<b>\$1,339.00</b>
<b>36" WIDE</b>	QMSH.MSE853612**	36	12	85	95.6	<b>\$1,328.00</b>
	QMSH.MSE853613	36	13	85	101.2	<b>\$1,334.00</b>
	QMSH.MSE853615**	36	15	85	107.3	<b>\$1,347.00</b>
	QMSH.MSE853616	36	16	85	111.3	<b>\$1,354.00</b>
<b>39 3/8" WIDE</b>	QMSH.MSE853912	39	12	85	96.1	<b>\$1,335.00</b>
	QMSH.MSE853913	39	13	85	101.8	<b>\$1,340.00</b>
	QMSH.MSE853915	39	15	85	107.9	<b>\$1,354.00</b>
	QMSH.MSE853916	39	16	85	112.0	<b>\$1,361.00</b>
<b>42" WIDE</b>	QMSH.MSE854212	42	12	85	98.8	<b>\$1,341.00</b>
	QMSH.MSE854213	42	13	85	104.6	<b>\$1,348.00</b>
	QMSH.MSE854215	42	15	85	110.8	<b>\$1,362.00</b>
	QMSH.MSE854216	42	16	85	114.8	<b>\$1,369.00</b>
<b>48" WIDE</b>	QMSH.MSE854812	48	12	85	101.3	<b>\$1,360.00</b>
	QMSH.MSE854813	48	13	85	107.2	<b>\$1,366.00</b>
	QMSH.MSE854815	48	15	85	113.6	<b>\$1,380.00</b>
	QMSH.MSE854816	48	16	85	117.7	<b>\$1,387.00</b>

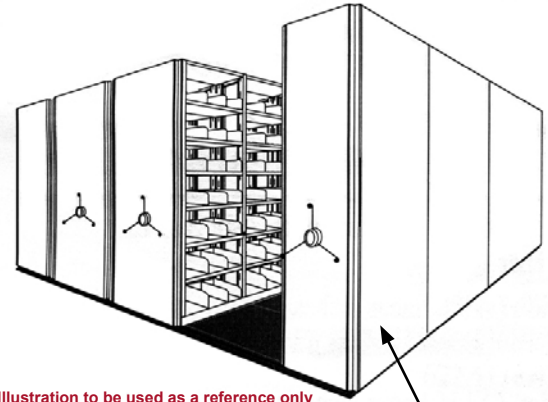


Illustration to be used as a reference only

Shelves and modular floor not included (see page **QM/41-QM/44** for shelves and see page **QM/28** for floor)

- Components for a single face **starter** section
- 1 single carriage with bumper
  - 1 front panel+handle including a safety locking pin
  - 2 upright frames
  - 1 canopy top

**Notes :**

- Locking device not included (see page **QM/28**)
- Aluminium extrusions not available
- Add 5" high for the overall height
- Maximum length = 12 feet
- \*\* Available on QuickShip program (see **QuickShip** tab)

**QM/14**



# QUADRAMOBILE SMART BACK-TO-BACK HOOKED **QUADRAMOBILE**

Mobile section 76" high

CODE #	W	D	H	lbs	\$	
	Frame					
<b>ADDER SECTION SINGLE FACE SHELVING - MOBILE</b>						
<b>30" WIDE</b>	QMSH.MAE763012	30	12	76	36.3	\$478.00
	QMSH.MAE763013	30	13	76	37.6	\$481.00
	QMSH.MAE763015	30	15	76	40.1	\$485.00
	QMSH.MAE763016	30	16	76	41.4	\$490.00
<b>36" WIDE</b>	QMSH.MAE763612**	36	12	76	38.9	\$489.00
	QMSH.MAE763613	36	13	76	40.3	\$493.00
	QMSH.MAE763615**	36	15	76	43.0	\$499.00
	QMSH.MAE763616	36	16	76	44.3	\$502.00
<b>39 3/8" WIDE</b>	QMSH.MAE763912	39	12	76	40.4	\$497.00
	QMSH.MAE763913	39	13	76	41.8	\$500.00
	QMSH.MAE763915	39	15	76	44.6	\$505.00
	QMSH.MAE763916	39	16	76	46.0	\$508.00
<b>42" WIDE</b>	QMSH.MAE764212	42	12	76	41.5	\$504.00
	QMSH.MAE764213	42	13	76	43.0	\$507.00
	QMSH.MAE764215	42	15	76	45.8	\$513.00
	QMSH.MAE764216	42	16	76	47.3	\$516.00
<b>48" WIDE</b>	QMSH.MAE764812	48	12	76	44.1	\$515.00
	QMSH.MAE764813	48	13	76	45.6	\$519.00
	QMSH.MAE764815	48	15	76	48.7	\$527.00
	QMSH.MAE764816	48	16	76	50.2	\$530.00

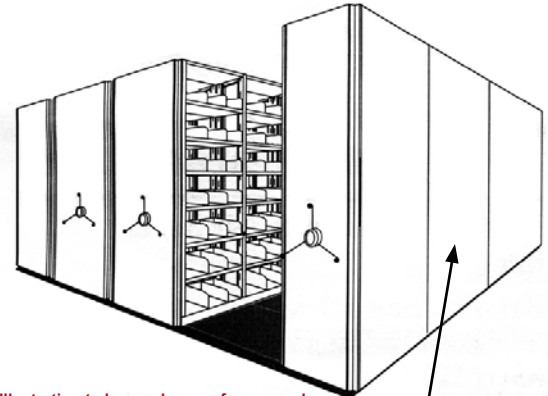


Illustration to be used as a reference only

Shelves and modular floor not included (see page **QM/41-QM/44** for shelves and see page **QM/28** for floor) **ADDER**

- Components for a single face **adder** section
- 1 single carriage
  - 1 upright frame
  - 1 canopy top

**Notes :**

- Aluminium extrusions not available
- Add 5" high for the overall height
- Maximum length = 12 feet
- \*\* Available on QuickShip program (see **QuickShip** tab)

**QM/16**

Issued 06-01-2005

# QUADRAMOBILE SMART BACK-TO-BACK HOOKED **QUADRAMOBILE**

Mobile section 79" high

	CODE #	W	D	H	lbs	\$
		Frame				
<b>ADDER SECTION SINGLE FACE SHELVING - MOBILE</b>						
<b>30" WIDE</b>	QMSH.MAE793012	30	12	79	36.8	<b>\$481.00</b>
	QMSH.MAE793013	30	13	79	38.1	<b>\$484.00</b>
	QMSH.MAE793015	30	15	79	40.7	<b>\$488.00</b>
	QMSH.MAE793016	30	16	79	41.9	<b>\$493.00</b>
<b>36" WIDE</b>	QMSH.MAE793612	36	12	79	39.4	<b>\$492.00</b>
	QMSH.MAE793613	36	13	79	40.8	<b>\$496.00</b>
	QMSH.MAE793615	36	15	79	43.5	<b>\$502.00</b>
	QMSH.MAE793616	36	16	79	44.9	<b>\$505.00</b>
<b>39 3/8" WIDE</b>	QMSH.MAE793912	39	12	79	40.9	<b>\$500.00</b>
	QMSH.MAE793913	39	13	79	42.3	<b>\$503.00</b>
	QMSH.MAE793915	39	15	79	45.1	<b>\$508.00</b>
	QMSH.MAE793916	39	16	79	46.5	<b>\$511.00</b>
<b>42" WIDE</b>	QMSH.MAE794212	42	12	79	42.0	<b>\$507.00</b>
	QMSH.MAE794213	42	13	79	43.5	<b>\$510.00</b>
	QMSH.MAE794215	42	15	79	46.4	<b>\$516.00</b>
	QMSH.MAE794216	42	16	79	47.8	<b>\$519.00</b>
<b>48" WIDE</b>	QMSH.MAE794812	48	12	79	44.6	<b>\$518.00</b>
	QMSH.MAE794813	48	13	79	46.2	<b>\$522.00</b>
	QMSH.MAE794815	48	15	79	49.2	<b>\$530.00</b>
	QMSH.MAE794816	48	16	79	50.7	<b>\$533.00</b>

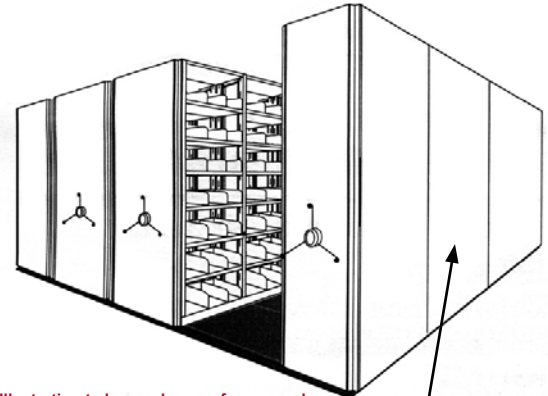


Illustration to be used as a reference only

Shelves and modular floor not included (see page **QM/41-QM/44** for shelves and see page **QM/28** for floor) **ADDER**

- Components for a single face **adder** section
- 1 single carriage
  - 1 upright frame
  - 1 canopy top

**Notes :**

- Aluminium extrusions not available
- Add 5" high for the overall height
- Maximum length = 12 feet

# QUADRAMOBILE SMART BACK-TO-BACK HOOKED **QUADRAMOBILE**

Mobile section 85" high

	CODE #	W	D	H	lbs	\$
		Frame				
<b>ADDER SECTION SINGLE FACE SHELVING - MOBILE</b>						
<b>30" WIDE</b>	QMSH.MAE853012	30	12	85	37.9	\$482.00
	QMSH.MAE853013	30	13	85	39.2	\$484.00
	QMSH.MAE853015	30	15	85	41.7	\$489.00
	QMSH.MAE853016	30	16	85	43.0	\$493.00
<b>36" WIDE</b>	QMSH.MAE853612**	36	12	85	40.5	\$493.00
	QMSH.MAE853613	36	13	85	41.8	\$496.00
	QMSH.MAE853615**	36	15	85	44.6	\$502.00
	QMSH.MAE853616	36	16	85	45.9	\$505.00
<b>39 3/8" WIDE</b>	QMSH.MAE853912	39	12	85	41.9	\$500.00
	QMSH.MAE853913	39	13	85	43.4	\$503.00
	QMSH.MAE853915	39	15	85	46.2	\$508.00
	QMSH.MAE853916	39	16	85	47.6	\$511.00
<b>42" WIDE</b>	QMSH.MAE854212	42	12	85	43.1	\$508.00
	QMSH.MAE854213	42	13	85	44.5	\$510.00
	QMSH.MAE854215	42	15	85	47.4	\$517.00
	QMSH.MAE854216	42	16	85	48.9	\$520.00
<b>48" WIDE</b>	QMSH.MAE854812	48	12	85	45.7	\$518.00
	QMSH.MAE854813	48	13	85	47.2	\$523.00
	QMSH.MAE854815	48	15	85	50.3	\$530.00
	QMSH.MAE854816	48	16	85	51.8	\$533.00

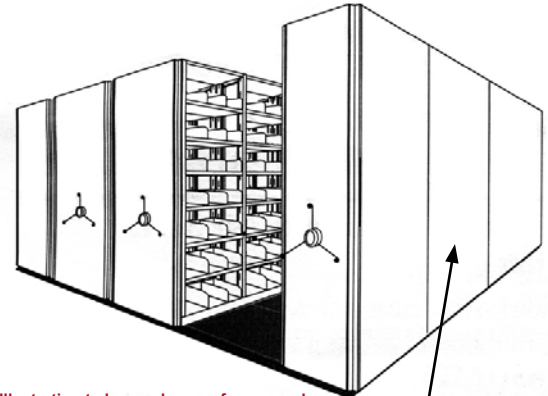


Illustration to be used as a reference only

Shelves and modular floor not included (see page **QM/41-QM/44** for shelves and see page **QM/28** for floor) **ADDER**

- Components for a single face **adder** section
- 1 single carriage
  - 1 upright frame
  - 1 canopy top

**Notes :**

- Aluminium extrusions not available
- Add 5" high for the overall height
- Maximum length = 12 feet
- \*\* Available on QuickShip program (see **QuickShip** tab)

**QM/18**

Issued 06-01-2005



# QUADRAMOBILE SMART BACK-TO-BACK HOOKED **QUADRAMOBILE**

Mobile section 88" high

	CODE #	W	D	H	lbs	\$
		Frame				
<b>ADDER SECTION SINGLE FACE SHELVING - MOBILE</b>						
<b>30" WIDE</b>	QMSH.MAE883012	30	12	88	38.4	<b>\$483.00</b>
	QMSH.MAE883013	30	13	88	39.7	<b>\$486.00</b>
	QMSH.MAE883015	30	15	88	42.2	<b>\$490.00</b>
	QMSH.MAE883016	30	16	88	43.5	<b>\$494.00</b>
<b>36" WIDE</b>	QMSH.MAE883612**	36	12	88	41.0	<b>\$494.00</b>
	QMSH.MAE883613	36	13	88	42.4	<b>\$498.00</b>
	QMSH.MAE883615**	36	15	88	45.1	<b>\$503.00</b>
	QMSH.MAE883616	36	16	88	46.4	<b>\$506.00</b>
<b>39 3/8" WIDE</b>	QMSH.MAE883912	39	12	88	42.5	<b>\$501.00</b>
	QMSH.MAE883913	39	13	88	43.9	<b>\$504.00</b>
	QMSH.MAE883915	39	15	88	46.7	<b>\$509.00</b>
	QMSH.MAE883916	39	16	88	48.1	<b>\$512.00</b>
<b>42" WIDE</b>	QMSH.MAE884212	42	12	88	43.6	<b>\$509.00</b>
	QMSH.MAE884213	42	13	88	45.1	<b>\$512.00</b>
	QMSH.MAE884215	42	15	88	47.9	<b>\$518.00</b>
	QMSH.MAE884216	42	16	88	49.4	<b>\$521.00</b>
<b>48" WIDE</b>	QMSH.MAE884812	48	12	88	46.2	<b>\$520.00</b>
	QMSH.MAE884813	48	13	88	47.7	<b>\$524.00</b>
	QMSH.MAE884815	48	15	88	50.8	<b>\$531.00</b>
	QMSH.MAE884816	48	16	88	52.3	<b>\$534.00</b>

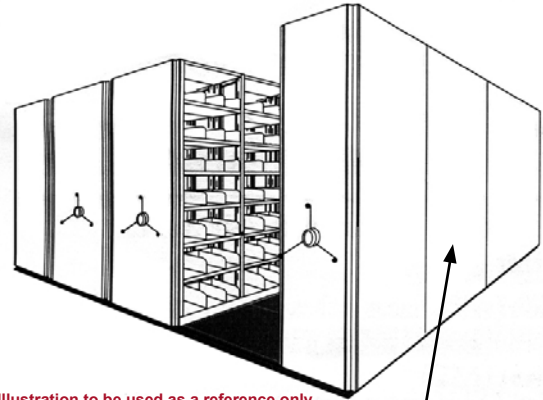


Illustration to be used as a reference only

Shelves and modular floor not included (see page **QM/41-QM/44** for shelves and see page **QM/28** for floor) **ADDER**

Components for a single face **adder** section

- 1 single carriage
- 1 upright frame
- 1 canopy top

**Notes :**

- Aluminium extrusions not available
- Add 5" high for the overall height
- Maximum length = 12 feet
- \*\* Available on QuickShip program (see **QuickShip** tab)

# QUADRAMOBILE SMART BACK-TO-BACK HOOKED **QUADRAMOBILE**

Mobile section 76" high

	CODE #	W	D	H	lbs	\$
		Frame				
<b>STARTER DOUBLE FACE SHELVING - MOBILE</b>						
<b>30" WIDE</b>	QMSH.MSED763024	30	12	76	152.4	\$1,524.00
	QMSH.MSED763026	30	13	76	159.5	\$1,534.00
	QMSH.MSED763030	30	15	76	173.4	\$1,557.00
	QMSH.MSED763032	30	16	76	180.6	\$1,567.00
<b>36" WIDE</b>	QMSH.MSED763624**	36	12	76	157.4	\$1,540.00
	QMSH.MSED763626	36	13	76	164.7	\$1,550.00
	QMSH.MSED763630**	36	15	76	179.0	\$1,574.00
	QMSH.MSED763632	36	16	76	186.4	\$1,586.00
<b>39 3/8" WIDE</b>	QMSH.MSED763924	39	12	76	158.7	\$1,548.00
	QMSH.MSED763926	39	13	76	166.0	\$1,563.00
	QMSH.MSED763930	39	15	76	180.5	\$1,583.00
	QMSH.MSED763932	39	16	76	188.0	\$1,595.00
<b>42" WIDE</b>	QMSH.MSED764224	42	12	76	162.0	\$1,557.00
	QMSH.MSED764226	42	13	76	169.4	\$1,568.00
	QMSH.MSED764230	42	15	76	184.0	\$1,592.00
	QMSH.MSED764232	42	16	76	191.5	\$1,604.00
<b>48" WIDE</b>	QMSH.MSED764824	48	12	76	165.8	\$1,578.00
	QMSH.MSED764826	48	13	76	173.4	\$1,589.00
	QMSH.MSED764830	48	15	76	188.3	\$1,614.00
	QMSH.MSED764832	48	16	76	196.0	\$1,626.00

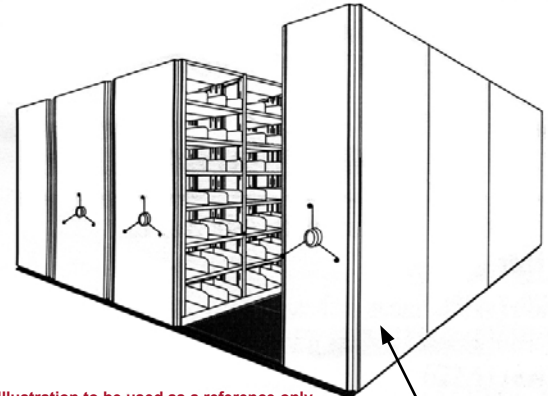


Illustration to be used as a reference only

Shelves and modular floor not included (see page **QM/41-QM/44** for shelves and see page **QM/28** for floor) **STARTER**

- Components for a double face back-to-back **starter**
- 1 double carriage with bumper
  - 1 front panel+handle including a safety locking pin
  - 4 upright frames
  - 2 canopy tops

**Notes :**

- Aluminium extrusions not available
- Add 5" high for the overall height
- Maximum length = 12 feet
- \*\* Available on QuickShip program (see **QuickShip** tab)

**QM/20**

# QUADRAMOBILE SMART BACK-TO-BACK HOOKED **QUADRAMOBILE**

Mobile section 79" high

CODE #	W	D	H	lbs	\$	
	Frame					
<b>STARTER DOUBLE FACE SHELVING - MOBILE</b>						
<b>30" WIDE</b>	QMSH.MSED793024	30	12	79	155.9	\$1,538.00
	QMSH.MSED793026	30	13	79	163.2	\$1,548.00
	QMSH.MSED793030	30	15	79	177.4	\$1,571.00
	QMSH.MSED793032	30	16	79	184.7	\$1,582.00
<b>36" WIDE</b>	QMSH.MSED793624	36	12	79	161.0	\$1,554.00
	QMSH.MSED793626	36	13	79	168.4	\$1,565.00
	QMSH.MSED793630	36	15	79	183.0	\$1,588.00
	QMSH.MSED793632	36	16	79	190.4	\$1,600.00
<b>39 3/8" WIDE</b>	QMSH.MSED793924	39	12	79	162.3	\$1,562.00
	QMSH.MSED793926	39	13	79	169.7	\$1,577.00
	QMSH.MSED793930	39	15	79	184.5	\$1,598.00
	QMSH.MSED793932	39	16	79	192.0	\$1,610.00
<b>42" WIDE</b>	QMSH.MSED794224	42	12	79	165.5	\$1,571.00
	QMSH.MSED794226	42	13	79	173.1	\$1,582.00
	QMSH.MSED794230	42	15	79	188.0	\$1,607.00
	QMSH.MSED794232	42	16	79	195.6	\$1,619.00
<b>48" WIDE</b>	QMSH.MSED794824	48	12	79	169.3	\$1,592.00
	QMSH.MSED794826	48	13	79	177.1	\$1,604.00
	QMSH.MSED794830	48	15	79	192.3	\$1,629.00
	QMSH.MSED794832	48	16	79	200.1	\$1,641.00

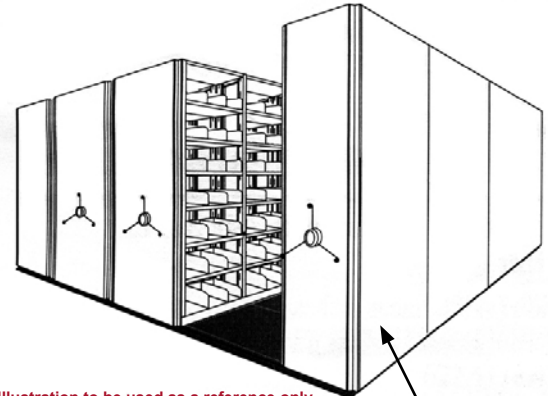


Illustration to be used as a reference only

Shelves and modular floor not included (see page **QM/41-QM/44** for shelves and see page **QM/28** for floor) **STARTER**

- Components for a double face back-to-back **starter**
- 1 double carriage with bumper
  - 1 front panel+handle including a safety locking pin
  - 4 upright frames
  - 2 canopy tops

**Notes :**

- Aluminium extrusions not available
- Add 5" high for the overall height
- Maximum length = 12 feet

# QUADRAMOBILE SMART BACK-TO-BACK HOOKED **QUADRAMOBILE**

Mobile section 85" high

CODE #	W	D	H	lbs	\$	
	Frame					
<b>STARTER DOUBLE FACE SHELVING - MOBILE</b>						
<b>30" WIDE</b>	QMSH.MSED853024	30	12	85	163.1	<b>\$1,544.00</b>
	QMSH.MSED853026	30	13	85	170.6	<b>\$1,554.00</b>
	QMSH.MSED853030	30	15	85	185.3	<b>\$1,578.00</b>
	QMSH.MSED853032	30	16	85	192.8	<b>\$1,589.00</b>
<b>36" WIDE</b>	QMSH.MSED853624**	36	12	85	168.2	<b>\$1,560.00</b>
	QMSH.MSED853626	36	13	85	175.8	<b>\$1,571.00</b>
	QMSH.MSED853630**	36	15	85	190.9	<b>\$1,595.00</b>
	QMSH.MSED853632	36	16	85	198.6	<b>\$1,607.00</b>
<b>39 3/8" WIDE</b>	QMSH.MSED853924	39	12	85	169.4	<b>\$1,568.00</b>
	QMSH.MSED853926	39	13	85	177.1	<b>\$1,584.00</b>
	QMSH.MSED853930	39	15	85	192.4	<b>\$1,604.00</b>
	QMSH.MSED853932	39	16	85	200.2	<b>\$1,617.00</b>
<b>42" WIDE</b>	QMSH.MSED854224	42	12	85	172.7	<b>\$1,577.00</b>
	QMSH.MSED854226	42	13	85	180.5	<b>\$1,588.00</b>
	QMSH.MSED854230	42	15	85	195.9	<b>\$1,614.00</b>
	QMSH.MSED854232	42	16	85	203.8	<b>\$1,626.00</b>
<b>48" WIDE</b>	QMSH.MSED854824	48	12	85	176.5	<b>\$1,598.00</b>
	QMSH.MSED854826	48	13	85	184.5	<b>\$1,610.00</b>
	QMSH.MSED854830	48	15	85	200.2	<b>\$1,636.00</b>
	QMSH.MSED854832	48	16	85	208.3	<b>\$1,648.00</b>

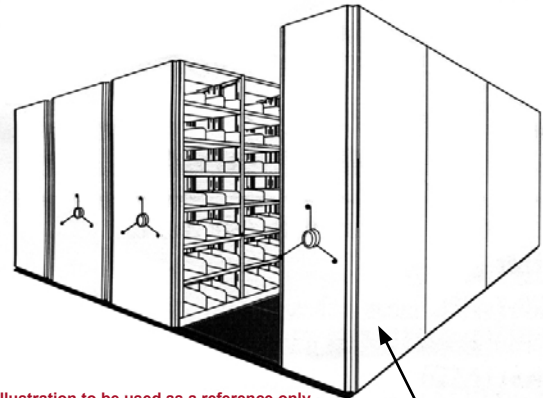


Illustration to be used as a reference only

Shelves and modular floor not included (see page **QM/41-QM/44** for shelves and see page **QM/28** for floor)

**STARTER**

Components for a double face back-to-back **starter**

- 1 double carriage with bumper
- 1 front panel+handle including a safety locking pin
- 4 upright frames
- 2 canopy tops

**Notes :**

- Aluminium extrusions not available
- Add 5" high for the overall height
- Maximum length = 12 feet
- \*\* Available on QuickShip program (see **QuickShip** tab)

**QM/22**

Issued 06-01-2005

**MONTEL AETNASTAK**

**GSA** Schedule  
Contract GS-28F-0017M

# QUADRAMOBILE SMART BACK-TO-BACK HOOKED **QUADRAMOBILE**

Mobile section 88" high

CODE #	W	D	H	lbs	\$	
	Frame					
<b>STARTER DOUBLE FACE SHELVING - MOBILE</b>						
<b>30" WIDE</b>	QMSH.MSED883024	30	12	88	166.7	<b>\$1,549.00</b>
	QMSH.MSED883026	30	13	88	174.3	<b>\$1,561.00</b>
	QMSH.MSED883030	30	15	88	189.2	<b>\$1,585.00</b>
	QMSH.MSED883032	30	16	88	196.9	<b>\$1,596.00</b>
<b>36" WIDE</b>	QMSH.MSED883624**	36	12	88	171.8	<b>\$1,565.00</b>
	QMSH.MSED883626	36	13	88	179.5	<b>\$1,578.00</b>
	QMSH.MSED883630**	36	15	88	194.8	<b>\$1,602.00</b>
	QMSH.MSED883632	36	16	88	202.7	<b>\$1,615.00</b>
<b>39 3/8" WIDE</b>	QMSH.MSED883924	39	12	88	173.0	<b>\$1,573.00</b>
	QMSH.MSED883926	39	13	88	180.9	<b>\$1,591.00</b>
	QMSH.MSED883930	39	15	88	196.3	<b>\$1,612.00</b>
	QMSH.MSED883932	39	16	88	204.3	<b>\$1,624.00</b>
<b>42" WIDE</b>	QMSH.MSED884224	42	12	88	176.3	<b>\$1,582.00</b>
	QMSH.MSED884226	42	13	88	184.2	<b>\$1,595.00</b>
	QMSH.MSED884230	42	15	88	199.8	<b>\$1,621.00</b>
	QMSH.MSED884232	42	16	88	207.9	<b>\$1,633.00</b>
<b>48" WIDE</b>	QMSH.MSED884824	48	12	88	180.1	<b>\$1,603.00</b>
	QMSH.MSED884826	48	13	88	188.2	<b>\$1,617.00</b>
	QMSH.MSED884830	48	15	88	204.1	<b>\$1,643.00</b>
	QMSH.MSED884832	48	16	88	212.3	<b>\$1,655.00</b>

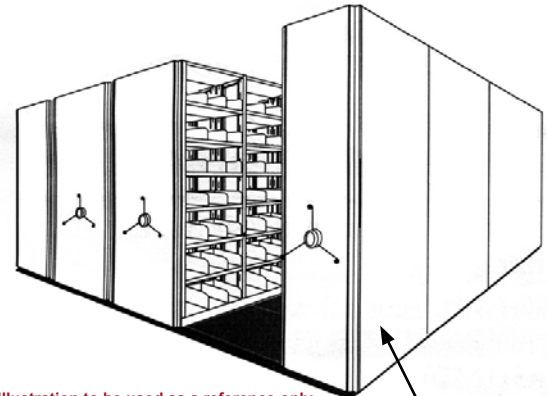


Illustration to be used as a reference only

Shelves and modular floor not included (see page **QM/41-QM/44** for shelves and see page **QM/28** for floor) **STARTER**

- Components for a double face back-to-back **starter**
- 1 double carriage with bumper
  - 1 front panel+handle including a safety locking pin
  - 4 upright frames
  - 2 canopy tops

**Notes :**

- Aluminium extrusions not available
- Add 5" high for the overall height
- Maximum length = 12 feet
- \*\* Available on QuickShip program (see **QuickShip** tab)



**QM/23**

# QUADRAMOBILE SMART BACK-TO-BACK HOOKED **QUADRAMOBILE**

Mobile section 76" high

CODE #	W	D	H	lbs	\$	
	Frame					
<b>ADDER DOUBLE FACE SHELVING - MOBILE</b>						
<b>30" WIDE</b>	QMSH.MAED763024	30	12	76	67.1	\$583.00
	QMSH.MAED763026	30	13	76	69.7	\$587.00
	QMSH.MAED763030	30	15	76	75.0	\$598.00
	QMSH.MAED763032	30	16	76	77.7	\$602.00
<b>36" WIDE</b>	QMSH.MAED763624**	36	12	76	71.0	\$594.00
	QMSH.MAED763626	36	13	76	73.7	\$601.00
	QMSH.MAED763630**	36	15	76	79.4	\$612.00
	QMSH.MAED763632	36	16	76	82.2	\$618.00
<b>39 3/8" WIDE</b>	QMSH.MAED763924	39	12	76	73.1	\$605.00
	QMSH.MAED763926	39	13	76	76.0	\$609.00
	QMSH.MAED763930	39	15	76	81.9	\$620.00
	QMSH.MAED763932	39	16	76	84.8	\$627.00
<b>42" WIDE</b>	QMSH.MAED764224	42	12	76	74.8	\$613.00
	QMSH.MAED764226	42	13	76	77.8	\$618.00
	QMSH.MAED764230	42	15	76	83.8	\$630.00
	QMSH.MAED764232	42	16	76	86.8	\$635.00
<b>48" WIDE</b>	QMSH.MAED764824	48	12	76	78.7	\$627.00
	QMSH.MAED764826	48	13	76	81.8	\$634.00
	QMSH.MAED764830	48	15	76	88.2	\$646.00
	QMSH.MAED764832	48	16	76	91.3	\$652.00

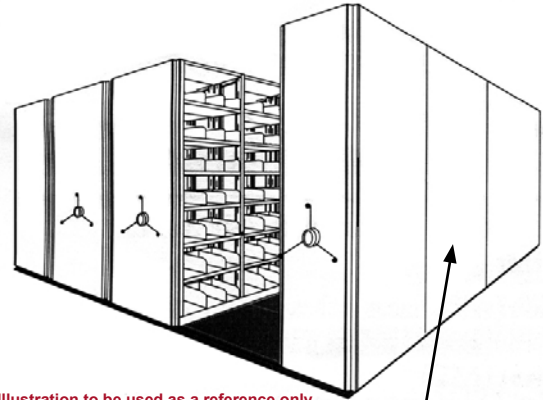


Illustration to be used as a reference only

Shelves and modular floor not included (see page **QM/41-QM/44** for shelves and see page **QM/28** for floor) **ADDER**

Components for a double face back-to-back **adder**

- 1 double carriage
- 2 upright frames
- 2 canopy tops

**Notes :**

- Aluminium extrusions not available
- Add 5" high for the overall height
- Maximum length = 12 feet
- \*\* Available on QuickShip program (see **QuickShip** tab)

**QM/24**

Issued 06-01-2005

**MONTEL AETNASTAK**

**GSA** Schedule  
Contract GS-28F-0017M

# QUADRAMOBILE SMART BACK-TO-BACK HOOKED **QUADRAMOBILE**

Mobile section 79" high

CODE #	W	D	H	lbs	\$	
	Frame					
<b>ADDER DOUBLE FACE SHELVING - MOBILE</b>						
<b>30" WIDE</b>	QMSH.MAED793024	30	12	79	68.1	<b>\$589.00</b>
	QMSH.MAED793026	30	13	79	70.7	<b>\$593.00</b>
	QMSH.MAED793030	30	15	79	76.1	<b>\$604.00</b>
	QMSH.MAED793032	30	16	79	78.7	<b>\$608.00</b>
<b>36" WIDE</b>	QMSH.MAED793624	36	12	79	72.0	<b>\$600.00</b>
	QMSH.MAED793626	36	13	79	74.8	<b>\$607.00</b>
	QMSH.MAED793630	36	15	79	80.5	<b>\$618.00</b>
	QMSH.MAED793632	36	16	79	83.3	<b>\$624.00</b>
<b>39 3/8" WIDE</b>	QMSH.MAED793924	39	12	79	74.2	<b>\$611.00</b>
	QMSH.MAED793926	39	13	79	77.1	<b>\$615.00</b>
	QMSH.MAED793930	39	15	79	82.9	<b>\$626.00</b>
	QMSH.MAED793932	39	16	79	85.8	<b>\$633.00</b>
<b>42" WIDE</b>	QMSH.MAED794224	42	12	79	75.9	<b>\$619.00</b>
	QMSH.MAED794226	42	13	79	78.8	<b>\$624.00</b>
	QMSH.MAED794230	42	15	79	84.9	<b>\$636.00</b>
	QMSH.MAED794232	42	16	79	87.8	<b>\$641.00</b>
<b>48" WIDE</b>	QMSH.MAED794824	48	12	79	79.8	<b>\$633.00</b>
	QMSH.MAED794826	48	13	79	82.9	<b>\$640.00</b>
	QMSH.MAED794830	48	15	79	89.2	<b>\$652.00</b>
	QMSH.MAED794832	48	16	79	92.4	<b>\$658.00</b>

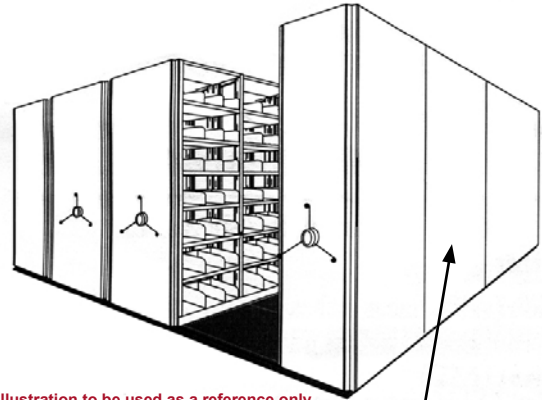


Illustration to be used as a reference only

Shelves and modular floor not included (see page **QM/41-QM/44** for shelves and see page **QM/28** for floor) **ADDER**

Components for a double face back-to-back **adder**

- 1 double carriage
- 2 upright frames
- 2 canopy tops

**Notes :**

- Aluminium extrusions not available
- Add 5" high for the overall height
- Maximum length = 12 feet

# QUADRAMOBILE SMART BACK-TO-BACK HOOKED **QUADRAMOBILE**

Mobile section 85" high

CODE #	W	D	H	lbs	\$	
	Frame					
<b>ADDER DOUBLE FACE SHELVING - MOBILE</b>						
<b>30" WIDE</b>	QMSH.MAED853024	30	12	85	70.2	<b>\$590.00</b>
	QMSH.MAED853026	30	13	85	72.8	<b>\$594.00</b>
	QMSH.MAED853030	30	15	85	78.2	<b>\$604.00</b>
	QMSH.MAED853032	30	16	85	80.8	<b>\$608.00</b>
<b>36" WIDE</b>	QMSH.MAED853624**	36	12	85	74.1	<b>\$601.00</b>
	QMSH.MAED853626	36	13	85	76.9	<b>\$608.00</b>
	QMSH.MAED853630**	36	15	85	82.6	<b>\$619.00</b>
	QMSH.MAED853632	36	16	85	85.4	<b>\$625.00</b>
<b>39 3/8" WIDE</b>	QMSH.MAED853924	39	12	85	76.3	<b>\$611.00</b>
	QMSH.MAED853926	39	13	85	79.2	<b>\$616.00</b>
	QMSH.MAED853930	39	15	85	85.0	<b>\$627.00</b>
	QMSH.MAED853932	39	16	85	87.9	<b>\$634.00</b>
<b>42" WIDE</b>	QMSH.MAED854224	42	12	85	78.0	<b>\$620.00</b>
	QMSH.MAED854226	42	13	85	80.9	<b>\$625.00</b>
	QMSH.MAED854230	42	15	85	87.0	<b>\$637.00</b>
	QMSH.MAED854232	42	16	85	89.9	<b>\$642.00</b>
<b>48" WIDE</b>	QMSH.MAED854824	48	12	85	81.9	<b>\$634.00</b>
	QMSH.MAED854826	48	13	85	85.0	<b>\$641.00</b>
	QMSH.MAED854830	48	15	85	91.3	<b>\$653.00</b>
	QMSH.MAED854832	48	16	85	94.5	<b>\$659.00</b>

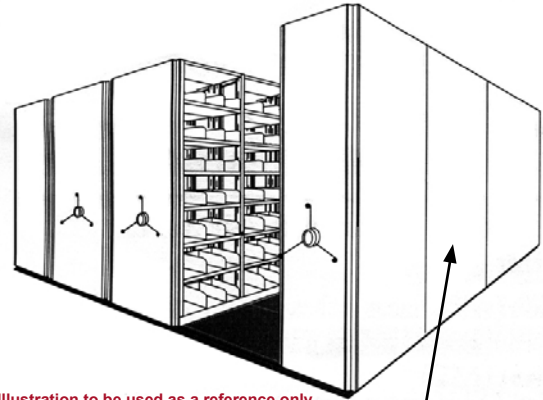


Illustration to be used as a reference only

Shelves and modular floor not included (see page **QM/41-QM/44** for shelves and see page **QM/28** for floor) **ADDER**

Components for a double face back-to-back **adder**

- 1 double carriage
- 2 upright frames
- 2 canopy tops

**Notes :**

- Aluminium extrusions not available
- Add 5" high for the overall height
- Maximum length = 12 feet
- \*\* Available on QuickShip program (see **QuickShip** tab)

**QM/26**

Issued 06-01-2005

**MONTEL AETNASTAK**

**GSA** Schedule  
Contract GS-28F-0017M

# QUADRAMOBILE SMART BACK-TO-BACK HOOKED **QUADRAMOBILE**

Mobile section 88" high

CODE #	W	D	H	lbs	\$	
	Frame					
<b>ADDER DOUBLE FACE SHELVING - MOBILE</b>						
<b>30" WIDE</b>	QMSH.MAED883024	30	12	88	71.3	<b>\$692.00</b>
	QMSH.MAED883026	30	13	88	73.9	<b>\$609.00</b>
	QMSH.MAED883030	30	15	88	79.2	<b>\$621.00</b>
	QMSH.MAED883032	30	16	88	81.9	<b>\$625.00</b>
<b>36" WIDE</b>	QMSH.MAED883624**	36	12	88	75.2	<b>\$604.00</b>
	QMSH.MAED883626	36	13	88	77.9	<b>\$623.00</b>
	QMSH.MAED883630**	36	15	88	83.6	<b>\$636.00</b>
	QMSH.MAED883632	36	16	88	86.4	<b>\$642.00</b>
<b>39 3/8" WIDE</b>	QMSH.MAED883924	39	12	88	77.4	<b>\$614.00</b>
	QMSH.MAED883926	39	13	88	80.2	<b>\$632.00</b>
	QMSH.MAED883930	39	15	88	86.1	<b>\$644.00</b>
	QMSH.MAED883932	39	16	88	89.0	<b>\$651.00</b>
<b>42" WIDE</b>	QMSH.MAED884224	42	12	88	79.1	<b>\$622.00</b>
	QMSH.MAED884226	42	13	88	82.0	<b>\$640.00</b>
	QMSH.MAED884230	42	15	88	88.0	<b>\$654.00</b>
	QMSH.MAED884232	42	16	88	91.0	<b>\$659.00</b>
<b>48" WIDE</b>	QMSH.MAED884824	48	12	88	82.9	<b>\$636.00</b>
	QMSH.MAED884826	48	13	88	86.0	<b>\$656.00</b>
	QMSH.MAED884830	48	15	88	92.4	<b>\$669.00</b>
	QMSH.MAED884832	48	16	88	95.5	<b>\$676.00</b>

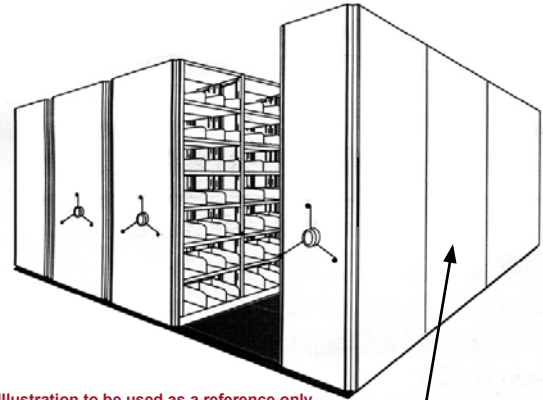


Illustration to be used as a reference only

Shelves and modular floor not included (see page **QM/41-QM/44** for shelves and see page **QM/28** for floor) **ADDER**

Components for a double face back-to-back **adder**

- 1 double carriage
- 2 upright frames
- 2 canopy tops

**Notes :**

- Aluminium extrusions not available
- Add 5" high for the overall height
- Maximum length = 12 feet
- \*\* Available on QuickShip program (see **QuickShip** tab)

# MODULAR FLOOR

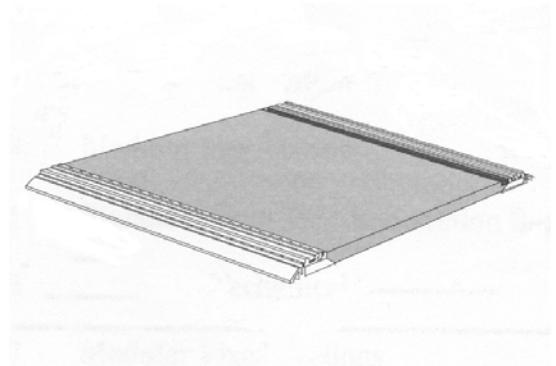
Starter and adder

# QUADRAMOBILE

CODE #	W	D	H	lbs	\$ per inches
--------	---	---	---	-----	------------------

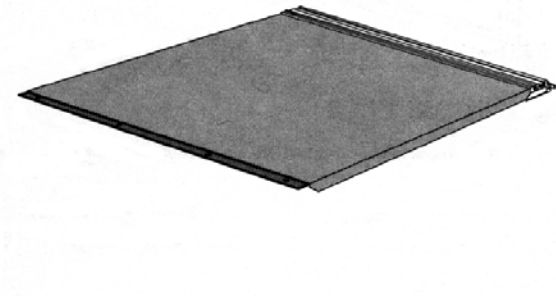
### MODULAR FLOOR FOR A STARTER SECTION

QMFLS.30/xxx	30	34	-	0.7	\$10.15
QMFLS.36/xxx	36	40	-	0.8	\$10.15
QMFLS.1M/xxx	39 3/8	43 3/8	-	0.9	\$10.25
QMFLS.42/xxx	42	46	-	1.0	\$10.25
QMFLS.48/xxx	48	52	-	1.3	\$11.10



### MODULAR FLOOR FOR A ADDER SECTION

QMFLA.30/xxx	30	30	-	0.6	\$7.75
QMFLA.36/xxx	36	36	-	0.7	\$7.75
QMFLA.1M/xxx	39 3/8	39 3/8	-	0.8	\$8.45
QMFLA.42/xxx	42	42	-	0.9	\$8.45
QMFLA.48/xxx	48	48	-	1.2	\$9.00



### Notes :

- Ex. : You have 2 sections 36"W and you want 200" floor. You need : 1 QMFLS.36/200  
1 QMFLA.36/200

## QM/28

Issued 06-01-2005

**MONTEL AETNASTAK**

**GSA** Schedule  
Contract GS-28F-0017M

CODE #                      W   D   H      lbs                      \$

**STEEL RAMP**

RAMPQM/xxx                      Inches                      4.0                      **\$2.70**

**STEEL RAMP FOR WHEEL CHAIR**

RAMPQMADA/xxx                      Inches                      7.0                      **\$5.28**

**STAINLESS STEEL RAMP**

RAMPQMINOX/xxx                      Inches                      4.0                      **\$5.28**

**STAINLESS STEEL RAMP FOR WHEEL CHAIR**

RAMPQMADA/xxx                      Inches                      7.0                      **\$6.67**

• Substitute "**xxx**" by the linear foot of ramp needed for the mobile system Ex. : RAMPQM/360

**RAILS KIT QUADRAMOBILE ON FLOOR**

23.621.035.01                      -   -   -                      **\$85.00**

**KIT STOPPER PLATE FOR QUADRAMOBIL FLOOR**

23.621.036.01                      -   -   -                      **\$40.00**

**QUADRAMOBILE SWIVEL HANDLE**

00.620.075.01                      -   -   -                      2.3                      **\$168.00**

**LOCKING PIN**

00.620.031.01                      -   -   -                      0.8                      **\$40.10**

**LOCKING DEVICE**

QMQLLOCK                      -   -   40                      40.0                      **\$175.00**

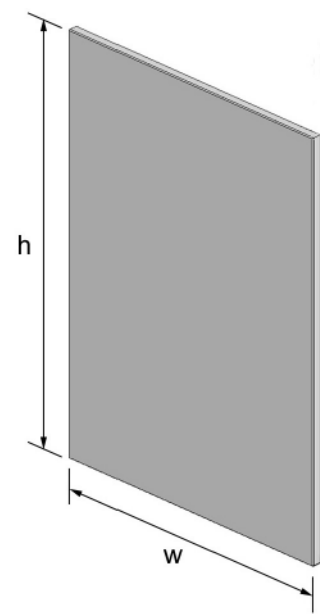


# STEEL BACK PANELS

Single face

# QUADRAMOBILE

	CODE #				W	D	H	lbs	\$
	LEFT	CENTER	RIGHT	UNIQUE					
	312.101/	312.100/	312.103/	312.102/					
76" HIGH	305.076	300.076	305.076	312.076	30	-	76	27.9	\$176.80
	365.076**	360.076**	365.076**	372.076**	36	-	76	33.0	\$203.00
	400.076	393.076	400.076	405.076	39	-	76	35.8	\$211.50
	425.076	420.076	425.076	432.076	42	-	76	38.0	\$215.00
	485.076	480.076	485.076	492.076	48	-	76	43.1	\$252.40
79" HIGH	305.079	300.079	305.079	312.079	30	-	79	29.0	\$179.40
	365.079	360.079	365.079	372.079	36	-	79	34.2	\$207.60
	400.079	393.079	400.079	405.079	39	-	79	37.1	\$214.80
	425.079	420.079	425.079	432.079	42	-	79	39.4	\$220.50
	485.079	480.079	485.079	492.079	48	-	79	44.7	\$256.70
85" HIGH	305.085	300.085	305.085	312.085	30	-	85	31.0	\$184.50
	365.085**	360.085**	365.085**	372.085**	36	-	85	36.6	\$213.60
	400.085	393.085	400.085	405.085	39	-	85	39.8	\$221.40
	425.085	420.085	425.085	432.085	42	-	85	42.3	\$227.40
	485.085	480.085	485.085	492.085	48	-	85	47.9	\$265.40
88" HIGH	305.088	300.088	305.088	312.088	30	-	88	32.1	\$187.10
	365.088**	360.088**	365.088**	372.088**	36	-	88	37.9	\$215.00
	400.088	393.088	400.088	405.088	39	-	88	41.1	\$224.70
	425.088	420.088	425.088	432.088	42	-	88	43.7	\$228.00
	485.088	480.088	485.088	492.088	48	-	88	49.5	\$269.70



**QM/30**

**Notes :**  
 \*\* Available on QuickShip program (see **QuickShip** tab)

Issued 06-01-2005



# STEEL BACK PANELS

Double face

# QUADRAMOBILE



	CODE #	W	D	H	lbs	\$
76" HIGH	QS.FBP/300.076	30	-	76	26.5	\$192.00
	QS.FBP/360.076**	36	-	76	31.3	\$192.00
	QS.FBP/393.076	39	-	76	34.1	\$209.00
	QS.FBP/420.076**	42	-	76	36.2	\$225.00
	QS.FBP/480.076	48	-	76	54.8	\$259.00
79" HIGH	QS.FBP/300.079	30	-	79	27.3	\$200.00
	QS.FBP/360.079**	36	-	79	33.1	\$200.00
	QS.FBP/393.079	39	-	79	36.0	\$214.00
	QS.FBP/420.079**	42	-	79	37.8	\$235.00
	QS.FBP/480.079	48	-	79	57.8	\$269.00
85" HIGH	QS.FBP/300.085	30	-	85	29.5	\$210.00
	QS.FBP/360.085**	36	-	85	35.0	\$210.00
	QS.FBP/393.085	39	-	85	38.0	\$219.00
	QS.FBP/420.085**	42	-	85	40.4	\$247.00
	QS.FBP/480.085	48	-	85	61.1	\$281.00
88" HIGH	QS.FBP/300.088	30	-	88	30.5	\$220.00
	QS.FBP/360.088**	36	-	88	36.2	\$220.00
	QS.FBP/393.088	39	-	88	39.3	\$235.00
	QS.FBP/420.088**	42	-	88	41.8	\$258.00
	QS.FBP/480.088	48	-	88	63.2	\$294.00

**Notes :**

\*\* Available on QuickShip program (see **QuickShip** tab)



Issued 06-01-2005

**QM/31**

# STEEL FRONT PANEL

Fixed section - Single face

# QUADRAMOBILE

	CODE #	W	D	H	lbs	\$
76" HIGH	240.139/120.076**	12	-	76	16.1	<b>\$92.30</b>
	240.139/130.076	13	-	76	16.6	<b>\$93.50</b>
	240.139/150.076**	15	-	76	17.7	<b>\$96.00</b>
	240.139/160.076	16	-	76	18.2	<b>\$97.30</b>
79" HIGH	240.139/120.079	12	-	79	16.9	<b>\$93.70</b>
	240.139/130.079	13	-	79	17.5	<b>\$95.00</b>
	240.139/150.079	15	-	79	18.6	<b>\$97.70</b>
	240.139/160.079	16	-	79	19.2	<b>\$99.00</b>
85" HIGH	240.139/120.085**	12	-	85	18.6	<b>\$98.30</b>
	240.139/130.085	13	-	85	19.2	<b>\$99.70</b>
	240.139/150.085**	15	-	85	20.5	<b>\$102.70</b>
	240.139/160.085	16	-	85	21.1	<b>\$104.20</b>
88" HIGH	240.139/120.088**	12	-	88	19.5	<b>\$100.30</b>
	240.139/130.088	13	-	88	20.1	<b>\$101.80</b>
	240.139/150.088**	15	-	88	21.4	<b>\$104.90</b>
	240.139/160.088	16	-	88	22.1	<b>\$106.50</b>

**Notes :**  
 \*\* Available on QuickShip program (see **QuickShip** tab)

**QM/32**

Issued 06-01-2005



**STEEL FRONT PANEL**  
 Mechanical section - Single face

**QUADRAMOBILE**

	CODE #	W	D	H	lbs	\$
76" HIGH	240.140/120.076	12	-	76	16.1	<b>\$92.30</b>
	240.140/130.076	13	-	76	16.6	<b>\$93.50</b>
	240.140/150.076	15	-	76	17.7	<b>\$96.00</b>
	240.140/160.076	16	-	76	18.2	<b>\$97.30</b>
79" HIGH	240.140/120.079	12	-	79	16.9	<b>\$93.70</b>
	240.140/130.079	13	-	79	17.5	<b>\$95.00</b>
	240.140/150.079	15	-	79	18.6	<b>\$97.70</b>
	240.140/160.079	16	-	79	19.2	<b>\$99.00</b>
85" HIGH	240.140/120.085	12	-	85	18.6	<b>\$98.30</b>
	240.140/130.085	13	-	85	19.2	<b>\$99.70</b>
	240.140/150.085	15	-	85	20.5	<b>\$102.70</b>
	240.140/160.085	16	-	85	21.1	<b>\$104.20</b>
88" HIGH	240.140/120.088	12	-	88	19.5	<b>\$100.30</b>
	240.140/130.088	13	-	88	20.1	<b>\$101.80</b>
	240.140/150.088	15	-	88	21.4	<b>\$104.90</b>
	240.140/160.088	16	-	88	22.1	<b>\$106.50</b>

**Notes :**

- Handle is not included with the panel



Issued 06-01-2005

**QM/33**

**STEEL FRONT PANEL**  
 Mechanical section - Double face

**QUADRAMOBILE**

	CODE #	W	D	H	lbs	\$
76" HIGH	240.138/240.076	24	-	76	26.3	<b>\$159.00</b>
	240.138/260.076	26	-	76	27.2	<b>\$161.10</b>
	240.138/300.076	30	-	76	29.0	<b>\$165.40</b>
	240.138/320.076	32	-	76	29.9	<b>\$165.70</b>
79" HIGH	240.138/240.079	24	-	79	28.0	<b>\$163.00</b>
	240.138/260.079	26	-	79	28.9	<b>\$165.00</b>
	240.138/300.079	30	-	79	30.9	<b>\$169.80</b>
	240.138/320.079	32	-	79	31.8	<b>\$172.10</b>
85" HIGH	240.138/240.085	24	-	85	31.4	<b>\$170.90</b>
	240.138/260.085	26	-	85	32.5	<b>\$173.50</b>
	240.138/300.085	30	-	85	34.6	<b>\$178.70</b>
	240.138/320.085	32	-	85	35.7	<b>\$181.20</b>
88" HIGH	240.138/240.088	24	-	88	33.1	<b>\$174.90</b>
	240.138/260.088	26	-	88	34.2	<b>\$177.70</b>
	240.138/300.088	30	-	88	36.5	<b>\$183.10</b>
	240.138/320.088	32	-	88	37.7	<b>\$185.80</b>

**QM/34**

**Notes :**  
 • Handle is not included with the panel

Issued 06-01-2005



# CARRIAGE ONLY

Fixed section - starter single face

# QUADRAMOBILE

	CODE #	W	D	H	lbs	\$
30" WIDE	QMSBCH.FS3012	30	12	3	17.9	\$446.00
	QMSBCH.FS3013	30	13	3	18.7	\$448.00
	QMSBCH.FS3015	30	15	3	20.4	\$452.00
	QMSBCH.FS3016	30	16	3	21.1	\$453.00
36" WIDE	QMSBCH.FS3612	36	12	3	19.2	\$448.00
	QMSBCH.FS3613	36	13	3	20.0	\$451.00
	QMSBCH.FS3615	36	15	3	21.7	\$454.00
	QMSBCH.FS3616	36	16	3	22.5	\$456.00
39 3/8" WIDE	QMSBCH.FS3912	39	12	3	20.0	\$451.00
	QMSBCH.FS3913	39	13	3	20.8	\$452.00
	QMSBCH.FS3915	39	15	3	22.4	\$456.00
	QMSBCH.FS3916	39	16	3	23.2	\$457.00
42" WIDE	QMSBCH.FS4212	42	12	3	20.6	\$452.00
	QMSBCH.FS4213	42	13	3	21.4	\$453.00
	QMSBCH.FS4215	42	15	3	23.0	\$457.00
	QMSBCH.FS4216	42	16	3	23.8	\$459.00
48" WIDE	QMSBCH.FS4812	48	12	3	21.9	\$454.00
	QMSBCH.FS4813	48	13	3	22.7	\$456.00
	QMSBCH.FS4815	48	15	3	24.3	\$459.00
	QMSBCH.FS4816	48	16	3	25.1	\$461.00



Issued 06-01-2005

QM/35

# CARRIAGE ONLY

Fixed section - adder single face

# QUADRAMOBILE

	CODE #	W	D	H	lbs	\$
30" WIDE	QMSBCH.FA3012	30	12	3	13.2	\$273.00
	QMSBCH.FA3013	30	13	3	13.7	\$274.00
	QMSBCH.FA3015	30	15	3	14.7	\$276.00
	QMSBCH.FA3016	30	16	3	15.2	\$277.00
36" WIDE	QMSBCH.FA3612	36	12	3	14.5	\$275.00
	QMSBCH.FA3613	36	13	3	15.0	\$276.00
	QMSBCH.FA3615	36	15	3	16.0	\$278.00
	QMSBCH.FA3616	36	16	3	16.5	\$279.00
39 3/8" WIDE	QMSBCH.FA3912	39	12	3	15.2	\$276.00
	QMSBCH.FA3913	39	13	3	15.7	\$277.00
	QMSBCH.FA3915	39	15	3	16.8	\$279.00
	QMSBCH.FA3916	39	16	3	17.3	\$281.00
42" WIDE	QMSBCH.FA4212	42	12	3	15.8	\$277.00
	QMSBCH.FA4213	42	13	3	16.3	\$278.00
	QMSBCH.FA4215	42	15	3	17.4	\$281.00
	QMSBCH.FA4216	42	16	3	17.9	\$283.00
48" WIDE	QMSBCH.FA4812	48	12	3	17.1	\$281.00
	QMSBCH.FA4813	48	13	3	17.6	\$282.00
	QMSBCH.FA4815	48	15	3	18.7	\$283.00
	QMSBCH.FA4816	48	16	3	19.2	\$284.00

**QM/36**

Issued 06-01-2005



# CARRIAGE ONLY

Mobile section - starter single face

# QUADRAMOBILE

	CODE #	W	D	H	lbs	\$
30" WIDE	QMSBCH.MSSF3012	30	12	3	17.9	\$657.00
	QMSBCH.MSSF3013	30	13	3	18.7	\$658.00
	QMSBCH.MSSF3015	30	15	3	20.4	\$662.00
	QMSBCH.MSSF3016	30	16	3	21.1	\$663.00
36" WIDE	QMSBCH.MSSF3612	36	12	3	19.2	\$667.00
	QMSBCH.MSSF3613	36	13	3	20.0	\$668.00
	QMSBCH.MSSF3615	36	15	3	21.7	\$672.00
	QMSBCH.MSSF3616	36	16	3	22.5	\$674.00
39 3/8" WIDE	QMSBCH.MSSF3912	39	12	3	20.0	\$672.00
	QMSBCH.MSSF3913	39	13	3	20.8	\$673.00
	QMSBCH.MSSF3915	39	15	3	22.4	\$677.00
	QMSBCH.MSSF3916	39	16	3	23.2	\$679.00
42" WIDE	QMSBCH.MSSF4212	42	12	3	20.6	\$677.00
	QMSBCH.MSSF4213	42	13	3	21.4	\$679.00
	QMSBCH.MSSF4215	42	15	3	23.0	\$683.00
	QMSBCH.MSSF4216	42	16	3	23.8	\$685.00
48" WIDE	QMSBCH.MSSF4812	48	12	3	21.9	\$693.00
	QMSBCH.MSSF4813	48	13	3	22.7	\$694.00
	QMSBCH.MSSF4815	48	15	3	24.3	\$697.00
	QMSBCH.MSSF4816	48	16	3	25.1	\$699.00

# CARRIAGE ONLY

Mobile section - adder single face

# QUADRAMOBILE

	CODE #	W	D	H	lbs	\$
30" WIDE	QMSBCH.MASF3012	30	12	3	13.1	\$391.00
	QMSBCH.MASF3013	30	13	3	13.6	\$392.00
	QMSBCH.MASF3015	30	15	3	14.7	\$393.00
	QMSBCH.MASF3016	30	16	3	15.2	\$396.00
36" WIDE	QMSBCH.MASF3612	36	12	3	14.4	\$399.00
	QMSBCH.MASF3613	36	13	3	15.0	\$401.00
	QMSBCH.MASF3615	36	15	3	16.0	\$403.00
	QMSBCH.MASF3616	36	16	3	16.5	\$404.00
39 3/8" WIDE	QMSBCH.MASF3912	39	12	3	15.2	\$405.00
	QMSBCH.MASF3913	39	13	3	15.7	\$406.00
	QMSBCH.MASF3915	39	15	3	16.7	\$407.00
	QMSBCH.MASF3916	39	16	3	17.2	\$408.00
42" WIDE	QMSBCH.MASF4212	42	12	3	15.8	\$411.00
	QMSBCH.MASF4213	42	13	3	16.3	\$412.00
	QMSBCH.MASF4215	42	15	3	17.3	\$414.00
	QMSBCH.MASF4216	42	16	3	17.8	\$415.00
48" WIDE	QMSBCH.MASF4812	48	12	3	17.1	\$419.00
	QMSBCH.MASF4813	48	13	3	17.6	\$421.00
	QMSBCH.MASF4815	48	15	3	18.6	\$424.00
	QMSBCH.MASF4816	48	16	3	19.1	\$425.00

**QM/38**

Issued 06-01-2005

**MONTEL AETNASTAK**

**GSA** Schedule  
Contract GS-28F-0017M

# CARRIAGE ONLY

Mobile section - starter double face

# QUADRAMOBILE

	CODE #	W	D	H	lbs	\$
30" WIDE	QMSBCH.MSDF3024	30	24	3	22.4	\$661.30
	QMSBCH.MSDF3026	30	26	3	23.5	\$663.30
	QMSBCH.MSDF3030	30	30	3	26.0	\$668.30
	QMSBCH.MSDF3032	30	32	3	27.2	\$670.30
36" WIDE	QMSBCH.MSDF3624	36	24	3	23.7	\$671.30
	QMSBCH.MSDF3626	36	26	3	24.8	\$673.30
	QMSBCH.MSDF3630	36	30	3	27.4	\$678.30
	QMSBCH.MSDF3632	36	32	3	28.6	\$681.30
39 3/8" WIDE	QMSBCH.MSDF3924	39	24	3	24.5	\$676.30
	QMSBCH.MSDF3926	39	26	3	25.6	\$682.30
	QMSBCH.MSDF3930	39	30	3	28.1	\$683.30
	QMSBCH.MSDF3932	39	32	3	29.3	\$686.30
42" WIDE	QMSBCH.MSDF4224	42	24	3	25.0	\$682.30
	QMSBCH.MSDF4226	42	26	3	26.2	\$684.30
	QMSBCH.MSDF4230	42	30	3	28.7	\$689.30
	QMSBCH.MSDF4232	42	32	3	29.9	\$692.30
48" WIDE	QMSBCH.MSDF4824	48	24	3	26.3	\$697.30
	QMSBCH.MSDF4826	48	26	3	27.5	\$699.30
	QMSBCH.MSDF4830	48	30	3	30.0	\$704.30
	QMSBCH.MSDF4832	48	32	3	31.2	\$706.30



Issued 06-01-2005

# QM/39

# CARRIAGE ONLY

Mobile section - adder double face

# QUADRAMOBILE

	CODE #	W	D	H	lbs	\$
30" WIDE	QMSBCH.MADF3024	30	24	3	18.1	\$407.15
	QMSBCH.MADF3026	30	26	3	19.0	\$408.15
	QMSBCH.MADF3030	30	30	3	20.8	\$412.15
	QMSBCH.MADF3032	30	32	3	21.7	\$413.15
36" WIDE	QMSBCH.MADF3624	36	24	3	19.4	\$413.15
	QMSBCH.MADF3626	36	26	3	20.3	\$416.15
	QMSBCH.MADF3630	36	30	3	22.1	\$420.15
	QMSBCH.MADF3632	36	32	3	23.0	\$422.15
39 3/8" WIDE	QMSBCH.MADF3924	39	24	3	20.2	\$420.15
	QMSBCH.MADF3926	39	26	3	21.0	\$421.15
	QMSBCH.MADF3930	39	30	3	22.8	\$424.15
	QMSBCH.MADF3932	39	32	3	23.7	\$427.15
42" WIDE	QMSBCH.MADF4224	42	24	3	20.7	\$426.15
	QMSBCH.MADF4226	42	26	3	21.6	\$427.15
	QMSBCH.MADF4230	42	30	3	23.4	\$431.15
	QMSBCH.MADF4232	42	32	3	24.3	\$432.15
48" WIDE	QMSBCH.MADF4824	48	24	3	22.1	\$434.15
	QMSBCH.MADF4826	48	26	3	22.9	\$437.15
	QMSBCH.MADF4830	48	30	3	24.7	\$440.15
	QMSBCH.MADF4832	48	32	3	25.6	\$442.15

**QM/40**

Issued 06-01-2005

**MONTEL AETNASTAK**

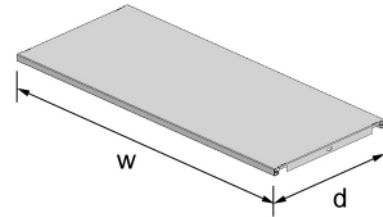
**GSA** Schedule  
Contract GS-28F-0017M

# PLAIN HOOKED SHELF ASSEMBLY KIT

Single face - 18 gauge

# QUADRAMOBILE

	CODE #	W	D	r*	lbs	\$
30" WIDE	QS3012SHA	30	12	-	6.4	\$21.50
	QS3013SHA	30	13	-	6.8	\$22.40
	QS3015SHA	30	15	-	7.6	\$24.30
	QS3016SHA	30	16	-	8.1	\$25.20
36" WIDE	QS3612SHA**	36	12	-	7.7	\$24.30
	QS3613SHA	36	13	-	8.2	\$25.50
	QS3615SHA**	36	15	-	9.2	\$27.70
	QS3616SHA	36	16	-	9.7	\$28.90
39 3/8" WIDE	QS3912SHA	39	12	-	8.4	\$25.90
	QS3913SHA	39	13	-	8.9	\$27.20
	QS3915SHA	39	15	-	12.4	\$42.80
	QS3916SHA	39	16	-	13.0	\$44.00
42" WIDE	QS4212SHA	42	12	-	11.2	\$40.30
	QS4213SHA	42	13	-	11.8	\$41.50
	QS4215SHA	42	15	-	13.0	\$44.10
	QS4216SHA	42	16	-	13.6	\$45.30
48" WIDE	QS4812SHA	48	12	-	12.9	\$43.80
	QS4813SHA	48	13	-	13.6	\$45.30
	QS4815SHA	48	15	-	14.9	\$48.10
	QS4816SHA	48	16	-	15.6	\$49.60



### Notes :

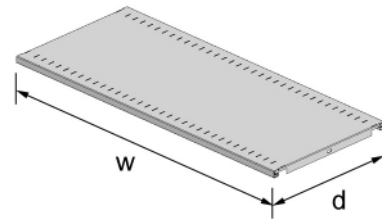
- 4-bend 3/4" thick shelf
- 18 gauge
- 4 aluminium hooks and necessary reinforcement included
- r\* Quantity of shelf reinforcements included per assembly
- \*\* Available on QuickShip program (see **QuickShip** tab)

# SLOTTED HOOKED SHELF ASSEMBLY KIT

Single face - 18 gauge

# QUADRAMOBILE

	CODE #	W	D	r*	lbs	\$
30" WIDE	QSS3012SHA	30	12	-	6.4	\$21.80
	QSS3013SHA	30	13	-	6.8	\$22.80
	QSS3015SHA	30	15	-	7.6	\$24.70
	QSS3016SHA	30	16	-	8.1	\$25.60
36" WIDE	QSS3612SHA**	36	12	-	7.7	\$24.70
	QSS3613SHA	36	13	-	8.2	\$25.80
	QSS3615SHA**	36	15	-	9.2	\$28.10
	QSS3616SHA	36	16	-	9.7	\$29.20
39 3/8" WIDE	QSS3912SHA	39	12	-	8.4	\$26.30
	QSS3913SHA	39	13	-	8.9	\$27.50
	QSS3915SHA	39	15	-	10.0	\$30.00
	QSS3916SHA	39	16	-	13.0	\$44.40
42" WIDE	QSS4212SHA	42	12	-	11.2	\$40.60
	QSS4213SHA	42	13	-	11.8	\$41.90
	QSS4215SHA	42	15	-	13.0	\$44.40
	QSS4216SHA	42	16	-	13.6	\$45.70
48" WIDE	QSS4812SHA	48	12	-	12.9	\$44.20
	QSS4813SHA	48	13	-	13.6	\$45.60
	QSS4815SHA	48	15	-	14.9	\$48.50
	QSS4816SHA	48	16	-	15.6	\$50.00



**Notes :**

- 4-bend 3/4" thick shelf
- 18 gauge
- 4 aluminium hooks and necessary reinforcement included

r\* Quantity of shelf reinforcements included per assembly  
 \*\* Available on QuickShip program (see **QuickShip** tab)

## QM/42

Issued 06-01-2005

**MONTEL AETNASTAK**

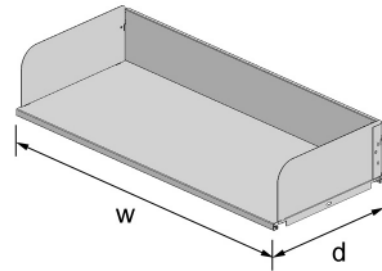
**GSA** Schedule  
 Contract GS-28F-0017M

# PLAIN HOOKED BOX SHELF ASSEMBLY KIT

Single face - 18 gauge

# QUADRAMOBILE

	CODE #	W	D	r*	lbs	\$
<b>30" WIDE</b>	QSF3012SHA	30	12	-	9.9	<b>\$36.90</b>
	QSF3013SHA	30	13	-	10.4	<b>\$38.20</b>
	QSF3015SHA	30	15	-	11.5	<b>\$41.20</b>
	QSF3016SHA	30	16	-	12.1	<b>\$42.50</b>
<b>36" WIDE</b>	QSF3612SHA	36	12	-	11.5	<b>\$40.60</b>
	QSF3613SHA	36	13	-	12.2	<b>\$42.00</b>
	QSF3615SHA	36	15	-	13.5	<b>\$45.30</b>
	QSF3616SHA	36	16	-	14.1	<b>\$46.80</b>
<b>39 3/8" WIDE</b>	QSF3912SHA	39	12	-	12.5	<b>\$42.60</b>
	QSF3913SHA	39	13	-	13.2	<b>\$44.20</b>
	QSF3915SHA	39	15	-	16.9	<b>\$62.50</b>
	QSF3916SHA	39	16	-	17.6	<b>\$64.10</b>
<b>42" WIDE</b>	QSF4212SHA	42	12	-	15.5	<b>\$58.80</b>
	QSF4213SHA	42	13	-	16.2	<b>\$60.40</b>
	QSF4215SHA	42	15	-	17.6	<b>\$64.10</b>
	QSF4216SHA	42	16	-	18.4	<b>\$65.80</b>
<b>48" WIDE</b>	QSF4812SHA	48	12	-	17.5	<b>\$63.20</b>
	QSF4813SHA	48	13	-	18.3	<b>\$65.10</b>
	QSF4815SHA	48	15	-	19.9	<b>\$69.10</b>
	QSF4816SHA	48	16	-	20.7	<b>\$70.90</b>



**Notes :**

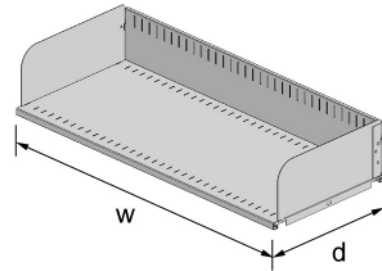
- 4-bend 3/4" thick shelf
- 18 gauge
- 4 aluminium hooks and necessary reinforcements included
- Two 6" high end dividers included
- 5 1/2" high plain backstop included
- r\* Quantity of shelf reinforcements included per assembly

# SLOTTED HOOKED BOX SHELF ASSEMBLY KIT

Single face - 18 gauge

# QUADRAMOBILE

	CODE #	W	D	r*	lbs	\$
30" WIDE	QSC3012SHA	30	12	-	9.9	\$40.20
	QSC3013SHA	30	13	-	10.4	\$41.60
	QSC3015SHA	30	15	-	11.5	\$44.10
	QSC3016SHA	30	16	-	12.1	\$45.80
36" WIDE	QSC3612SHA	36	12	-	11.5	\$44.00
	QSC3613SHA	36	13	-	12.2	\$45.50
	QSC3615SHA	36	15	-	13.5	\$48.40
	QSC3616SHA	36	16	-	14.1	\$50.30
39 3/8" WIDE	QSC3912SHA	39	12	-	12.5	\$46.10
	QSC3913SHA	39	13	-	13.2	\$47.70
	QSC3915SHA	39	15	-	14.5	\$50.80
	QSC3916SHA	39	16	-	17.6	\$65.60
42" WIDE	QSC4212SHA	42	12	-	15.5	\$60.30
	QSC4213SHA	42	13	-	16.2	\$62.00
	QSC4215SHA	42	15	-	17.6	\$65.60
	QSC4216SHA	42	16	-	18.4	\$67.30
48" WIDE	QSC4812SHA	48	12	-	17.5	\$64.80
	QSC4813SHA	48	13	-	18.3	\$66.60
	QSC4815SHA	48	15	-	19.9	\$70.60
	QSC4816SHA	48	16	-	20.7	\$72.40



**Notes :**

- 4-bend 3/4" thick shelf
- 18 gauge
- 4 aluminium hooks and necessary reinforcements included
- Two 6" high end dividers included
- 5 1/2" high slotted backstop included

r\* Quantity of shelf reinforcements included per assembly

**QM/44**

Issued 06-01-2005

**MONTEL AETNASTAK**

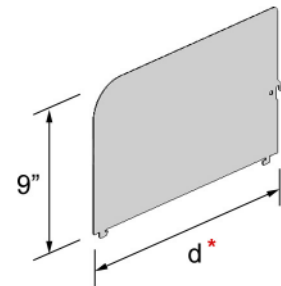
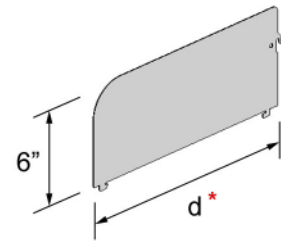
**GSA** Schedule  
Contract GS-28F-0017M

CODE #                      W   D   H           lbs           \$

**DIVIDER**

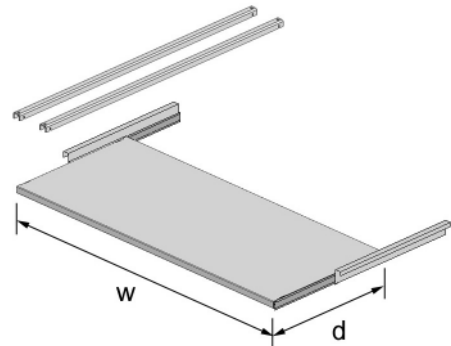
QS.DIV6/12**	-	12	6	0.7	\$3.00
QS.DIV6/13	-	13	6	0.8	\$3.25
QS.DIV6/15**	-	15	6	0.9	\$3.50
QS.DIV6/16	-	16	6	1.0	\$3.80
QS.DIV9/12	-	12	9	0.9	\$3.50
QS.DIV9/13	-	13	9	1.0	\$3.75
QS.DIV9/15	-	15	9	1.2	\$4.00
QS.DIV9/16	-	16	9	1.3	\$4.25

• Actual depth of divider is 1" less than the actual shelf depth. Ex. : **15" shelf = 14" divider**



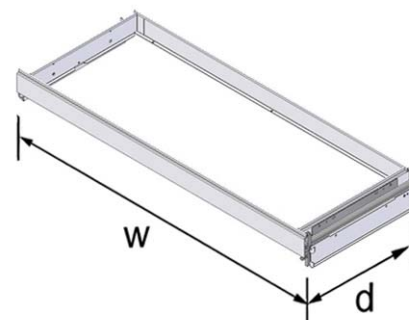
**SLIDING REFERENCE SHELF**

QS.BREH2412	24	12	-	9.6	\$95.70
QS.BREH2415	24	15	-	12.0	\$103.00
QS.BREH3012**	30	12	-	12.0	\$101.00
QS.BREH3015**	30	15	-	15.0	\$106.00



**SLIDING FRAME FOR PENDAFLEX**

QS.TP/30.13	30	13	-	9.3	\$228.00
QS.TP/30.16	30	16	-	9.7	\$235.00
QS.TP/36.13	36	13	-	10.0	\$229.00
QS.TP/36.16	36	16	-	10.4	\$237.00
QS.TP/39.13	39	13	-	10.5	\$230.00
QS.TP/39.16	39	16	-	10.9	\$238.00
QS.TP/42.13	42	13	-	10.8	\$232.00
QS.TP/42.16	42	16	-	11.2	\$239.00
QS.TP/48.13	48	13	-	11.5	\$234.00
QS.TP/48.16	48	16	-	11.9	\$241.00



• 13" deep sliding frame is required with 13" deep shelving  
 • 16" deep sliding frame is required with 16" deep shelving  
 • Front-to-back and side-to-side supports sold separately (see page QM/51)

**Notes :**

\*\* Available on QuickShip program (see QuickShip tab)

CODE #                      W   D   H           lbs           \$

**SLIDING FRAME WITH DRAWER FRONT (KEYED DIFFERENT)**

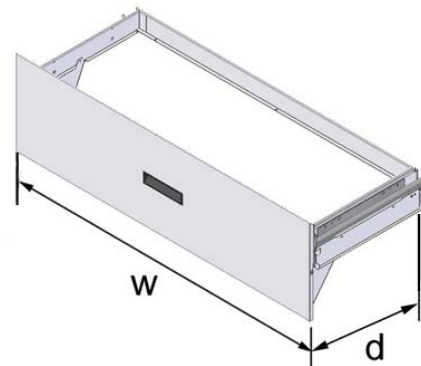
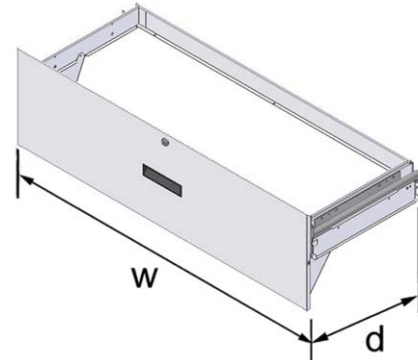
QS.TPFD/30.13	30	13	-	17.0	\$346.00
QS.TPFD/30.16	30	16	-	17.4	\$359.00
QS.TPFD/36.13	36	13	-	19.0	\$350.00
QS.TPFD/36.16	36	16	-	19.4	\$364.00
QS.TPFD/39.13	39	13	-	20.1	\$352.00
QS.TPFD/39.16	39	16	-	20.5	\$367.00
QS.TPFD/42.13	42	13	-	20.9	\$355.00
QS.TPFD/42.16	42	16	-	21.3	\$370.00
QS.TPFD/48.13	48	13	-	22.9	\$360.00
QS.TPFD/48.16	48	16	-	23.3	\$375.00

- If you want keyed alike, substitute "D" with "I" Ex. :  
**QS.TPFI/30.13**
- 13" deep sliding frame is required with 13" deep shelving
- 16" deep sliding frame is required with 16" deep shelving
- Front-to-back and side-to-side supports sold separately (see page **QM/51**)

**SLIDING FRAME WITH DRAWER FRONT WITHOUT LOCK**

QS.TPFN/30.13	30	13	-	17.0	\$311.00
QS.TPFN/30.16	30	16	-	17.4	\$324.00
QS.TPFN/36.13	36	13	-	19.0	\$315.00
QS.TPFN/36.16	36	16	-	19.4	\$329.00
QS.TPFN/39.13	39	13	-	20.1	\$317.00
QS.TPFN/39.16	39	16	-	20.5	\$332.00
QS.TPFN/42.13	42	13	-	20.9	\$320.00
QS.TPFN/42.16	42	16	-	21.3	\$335.00
QS.TPFN/48.13	48	13	-	22.9	\$325.00
QS.TPFN/48.16	48	16	-	23.3	\$340.00

- 13" deep sliding frame is required with 13" deep shelving
- 16" deep sliding frame is required with 16" deep shelving
- Front-to-back and side-to-side supports sold separately (see page **QM/51**)



CODE #                      W   D   H                      lbs                      \$

**FILE DRAWER (KEYED DIFFERENT)**

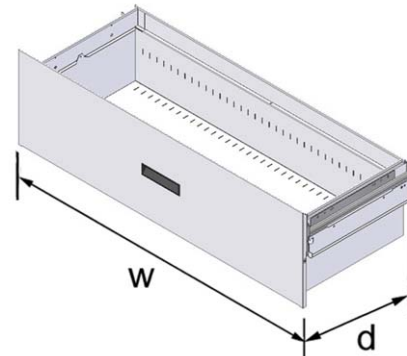
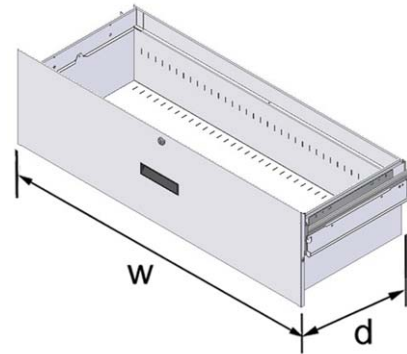
QS.TPFBD/30.13	30	13	-	28.8	<b>\$420.00</b>
QS.TPFBD/30.16	30	16	-	30.2	<b>\$439.00</b>
QS.TPFBD/36.13	36	13	-	32.6	<b>\$429.00</b>
QS.TPFBD/36.16	36	16	-	34.4	<b>\$449.00</b>
QS.TPFBD/39.13	39	13	-	34.8	<b>\$434.00</b>
QS.TPFBD/39.16	39	16	-	36.7	<b>\$455.00</b>
QS.TPFBD/42.13	42	13	-	36.5	<b>\$440.00</b>
QS.TPFBD/42.16	42	16	-	38.5	<b>\$460.00</b>
QS.TPFBD/48.13	48	13	-	40.4	<b>\$449.00</b>
QS.TPFBD/48.16	48	16	-	42.6	<b>\$471.00</b>

- If you want keyed alike, substitute "D" with "I" Ex. : **QS.TPFB I/30.13**
- 13" deep file drawer is required with 13" deep shelving
- 16" deep file drawer is required with 16" deep shelving
- Front-to-back and side-to-side supports sold separately (see page **QM/51**)

**FILE DRAWER WITHOUT LOCK**

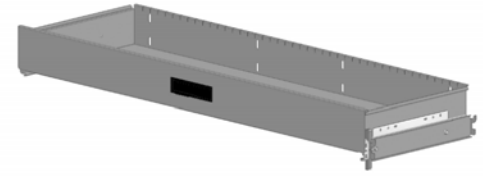
QS.TPFBN/30.13	30	13	-	28.8	<b>\$385.00</b>
QS.TPFBN/30.16	30	16	-	30.2	<b>\$404.00</b>
QS.TPFBN/36.13	36	13	-	32.6	<b>\$394.00</b>
QS.TPFBN/36.16	36	16	-	34.4	<b>\$414.00</b>
QS.TPFBN/39.13	39	13	-	34.8	<b>\$400.00</b>
QS.TPFBN/39.16	39	16	-	36.7	<b>\$420.00</b>
QS.TPFBN/42.13	42	13	-	36.5	<b>\$405.00</b>
QS.TPFBN/42.16	42	16	-	38.5	<b>\$426.00</b>
QS.TPFBN/48.13	48	13	-	40.4	<b>\$415.00</b>
QS.TPFBN/48.16	48	16	-	42.6	<b>\$436.00</b>

- 13" deep file drawer is required with 13" deep shelving
- 16" deep file drawer is required with 16" deep shelving
- Front-to-back and side-to-side supports sold separately (see page **QM/51**)



# ACCESSORIES

# QUADRAMOBILE



CODE #	W	D	H	lbs	\$	
<b>4" HIGH DRAWER</b>						
<b>30" WIDE</b>	QS.TM4/30.13	30	13	4	16.3	<b>\$377.00</b>
	QS.TM4/30.15	30	15	4	16.7	<b>\$380.00</b>
	QS.TM4/30.16	30	16	4	16.8	<b>\$382.00</b>
	QS.TM4/30.18	30	18	4	17.9	<b>\$394.00</b>
<b>36" WIDE</b>	QS.TM4/36.13	36	13	4	18.2	<b>\$381.00</b>
	QS.TM4/36.15	36	15	4	18.7	<b>\$384.00</b>
	QS.TM4/36.16	36	16	4	18.9	<b>\$389.00</b>
	QS.TM4/36.18	36	18	4	20.2	<b>\$401.00</b>
<b>39 3/8" WIDE</b>	QS.TM4/39.13	39	13	4	19.3	<b>\$385.00</b>
	QS.TM4/39.15	39	15	4	19.8	<b>\$387.00</b>
	QS.TM4/39.16	39	16	4	20.1	<b>\$392.00</b>
	QS.TM4/39.18	39	18	4	21.5	<b>\$405.00</b>
<b>42" WIDE</b>	QS.TM4/42.13	42	13	4	20.3	<b>\$400.00</b>
	QS.TM4/42.15	42	15	4	20.8	<b>\$407.00</b>
	QS.TM4/42.16	42	16	4	21.3	<b>\$412.00</b>
	QS.TM4/42.18	42	18	4	22.7	<b>\$425.00</b>
<b>48" WIDE</b>	QS.TM4/48.13	48	13	4	22.2	<b>\$405.00</b>
	QS.TM4/48.15	48	15	4	22.9	<b>\$413.00</b>
	QS.TM4/48.16	48	16	4	23.4	<b>\$418.00</b>
	QS.TM4/48.18	48	18	4	25.0	<b>\$431.00</b>

**Notes :**

- Front-to-back plain divider sold separately (see page **QM/51**)

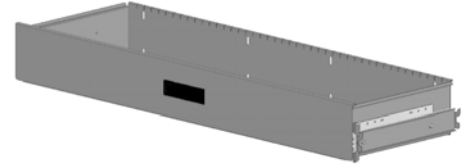
**QM/48**

Issued 06-01-2005

**MONTEL AETNASTAK**

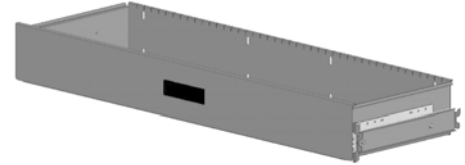
**GSA** Schedule  
Contract GS-28F-0017M

	CODE #	W	D	H	lbs	\$
<b>6" HIGH DRAWER</b>						
30" WIDE	QS.TM6/30.13	30	13	6	20.0	\$386.00
	QS.TM6/30.15	30	15	6	20.5	\$392.00
	QS.TM6/30.16	30	16	6	20.7	\$397.00
	QS.TM6/30.18	30	18	6	22.0	\$409.00
36" WIDE	QS.TM6/36.13	36	13	6	22.8	\$394.00
	QS.TM6/36.15	36	15	6	23.4	\$400.00
	QS.TM6/36.16	36	16	6	23.8	\$405.00
	QS.TM6/36.18	36	18	6	25.2	\$418.00
39 3/8" WIDE	QS.TM6/39.13	39	13	6	24.4	\$398.00
	QS.TM6/39.15	39	15	6	25.0	\$404.00
	QS.TM6/39.16	39	16	6	25.5	\$409.00
	QS.TM6/39.18	39	18	6	27.0	\$422.00
42" WIDE	QS.TM6/42.13	42	13	6	26.1	\$418.00
	QS.TM6/42.15	42	15	6	26.8	\$424.00
	QS.TM6/42.16	42	16	6	27.3	\$429.00
	QS.TM6/42.18	42	18	6	28.9	\$443.00
48" WIDE	QS.TM6/48.13	48	13	6	28.8	\$424.00
	QS.TM6/48.15	48	15	6	29.7	\$432.00
	QS.TM6/48.16	48	16	6	30.2	\$437.00
	QS.TM6/48.18	48	18	6	32.0	\$450.00



**Notes :**  
 • Front-to-back plain divider sold separately (see page [QM/51](#))

	CODE #	W	D	H	lbs	\$
<b>8" HIGH DRAWER</b>						
30" WIDE	QS.TM8/30.13	30	13	8	21.4	\$390.00
	QS.TM8/30.15	30	15	8	22.5	\$404.00
	QS.TM8/30.16	30	16	8	22.9	\$409.00
	QS.TM8/30.18	30	18	8	24.3	\$422.00
36" WIDE	QS.TM8/36.13	36	13	8	24.6	\$398.00
	QS.TM8/36.15	36	15	8	25.8	\$413.00
	QS.TM8/36.16	36	16	8	26.3	\$418.00
	QS.TM8/36.18	36	18	8	27.9	\$431.00
39 3/8" WIDE	QS.TM8/39.13	39	13	8	26.4	\$402.00
	QS.TM8/39.15	39	15	8	27.7	\$418.00
	QS.TM8/39.16	39	16	8	28.2	\$423.00
	QS.TM8/39.18	39	18	8	29.9	\$436.00
42" WIDE	QS.TM8/42.13	42	13	8	28.4	\$424.00
	QS.TM8/42.15	42	15	8	29.4	\$439.00
	QS.TM8/42.16	42	16	8	30.4	\$444.00
	QS.TM8/42.18	42	18	8	32.1	\$458.00
48" WIDE	QS.TM8/48.13	48	13	8	31.5	\$432.00
	QS.TM8/48.15	48	15	8	32.0	\$448.00
	QS.TM8/48.16	48	16	8	33.8	\$453.00
	QS.TM8/48.18	48	18	8	35.7	\$467.00

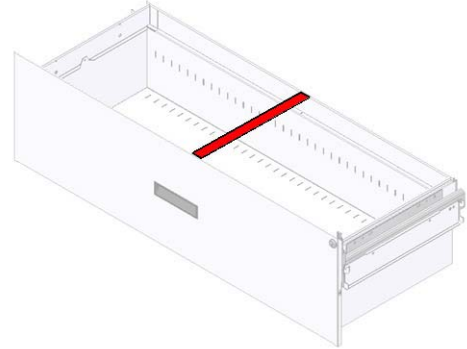


**Notes :**  
 • Front-to-back plain divider sold separately (see page [QM/51](#))

CODE #                      W   D   H           lbs           \$

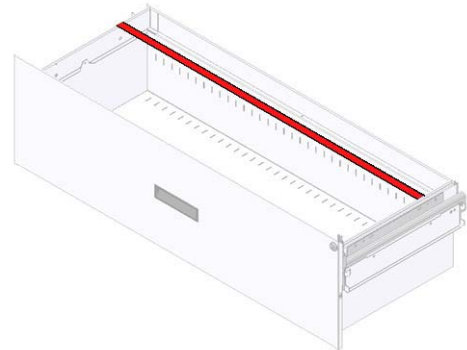
**FRONT-TO-BACK SUPPORT**

QS.PFDLB13	-	13	-	0.6	<b>\$5.10</b>
QS.PFDLB16	-	16	-	0.8	<b>\$6.10</b>



**SIDE-TO-SIDE SUPPORT**

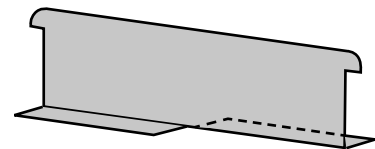
QS.PFDLR30	30	-	-	1.4	<b>\$8.60</b>
QS.PFDLR36	36	-	-	1.7	<b>\$9.10</b>
QS.PFDLR39	39	-	-	1.8	<b>\$10.00</b>
QS.PFDLR42	42	-	-	1.9	<b>\$10.75</b>
QS.PFDLR48	48	-	-	2.0	<b>\$12.25</b>



**FRONT-TO-BACK PLAIN DIVIDER**

4" HIGH

QS.DIVS4/13	-	13	4	0.3	<b>\$5.00</b>
QS.DIVS4/15	-	15	4	0.4	<b>\$6.60</b>
QS.DIVS4/16	-	16	4	0.5	<b>\$7.00</b>
QS.DIVS4/18	-	18	4	0.6	<b>\$8.00</b>



6" HIGH

QS.DIVS6/13	-	13	6	0.4	<b>\$6.00</b>
QS.DIVS6/15	-	15	6	0.5	<b>\$7.00</b>
QS.DIVS6/16	-	16	6	0.6	<b>\$7.60</b>
QS.DIVS6/18	-	18	6	0.7	<b>\$8.60</b>

8" HIGH

QS.DIVS8/13	-	13	8	0.5	<b>\$7.00</b>
QS.DIVS8/15	-	15	8	0.6	<b>\$8.00</b>
QS.DIVS8/16	-	16	8	0.7	<b>\$8.60</b>
QS.DIVS8/18	-	18	8	0.8	<b>\$9.60</b>

CODE #                      W   D   H      lbs              \$

**SUSPENSION BAR FOR OBLIQUE FOLDER**

QS.OFSB3012	30	12	-	2.4	<b>\$61.00</b>
QS.OFSB3015	30	15	-	2.6	<b>\$62.00</b>
QS.OFSB3612	36	12	-	2.6	<b>\$63.10</b>
QS.OFSB3615	36	15	-	2.8	<b>\$64.10</b>
QS.OFSB3912	39	12	-	2.8	<b>\$65.40</b>
QS.OFSB3915	39	15	-	3.0	<b>\$66.40</b>
QS.OFSB4212	42	12	-	3.0	<b>\$67.60</b>
QS.OFSB4215	42	15	-	3.2	<b>\$68.60</b>



**SUSPENSION BAR FOR COMPUTER PRINT-OUTS**

QS.LSB3012	30	12	-	4.0	<b>\$43.60</b>
QS.LSB3015	30	15	-	4.3	<b>\$44.70</b>
QS.LSB3612	36	12	-	4.5	<b>\$50.40</b>
QS.LSB3615	36	15	-	4.7	<b>\$51.70</b>
QS.LSB3912	39	12	-	5.0	<b>\$51.90</b>
QS.LSB3915	39	15	-	5.2	<b>\$53.40</b>
QS.LSB4212	42	12	-	5.2	<b>\$55.50</b>
QS.LSB4215	42	15	-	5.4	<b>\$56.40</b>



**FINDABLE BOOK SUPPORT**

QS.BKSP6	Plain Base	6	1.1	<b>\$6.00</b>
QS.BKSP9	Plain Base	9	1.5	<b>\$7.30</b>
QS.BKSPC6	Cork Base	6	1.1	<b>\$8.40</b>
QS.BKSPC9	Cork Base	9	1.5	<b>\$9.60</b>
QS.BKSPM6	Magnetic Base	6	1.1	<b>\$8.40</b>
QS.BKSPM9	Magnetic Base	9	1.5	<b>\$9.60</b>



CODE #                      W   D   H                      lbs                      \$

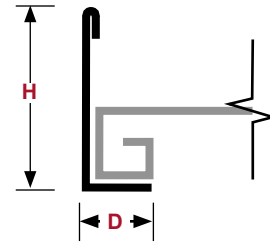
**WIRE BOOK SUPPORT**

L8W	8" & 9" shelves	W Type	0.2	\$6.00
L12W	11" & 12" shelves	W Type	0.2	\$7.30
L16W	15" & 16" shelves	W Type	0.2	\$8.00
L8-12W	8" to 12" shelves	V Type	0.1	\$4.00



**FRONT STOP**

QS.FRST/30	30	-	1	0.8	\$11.50
QS.FRST/36	36	-	1	1.0	\$11.50
QS.FRST/39	39	-	1	1.1	\$11.80
QS.FRST/42	42	-	1	1.2	\$12.00
QS.FRST/48	48	-	1	1.4	\$12.75



**LABEL HOLDER - CLEAR PLASTIC**

L5LHP	5	-	-	0.1	\$1.40
L2RFA	-	-	-	0.1	\$17.00



**RANGE FINDER**

L2CHA	-	-	-	0.4	\$7.30
-------	---	---	---	-----	--------



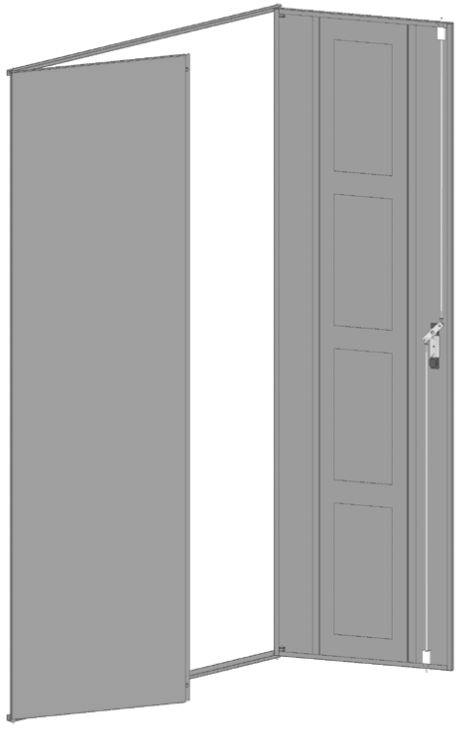
**CARD HOLDER**



# ACCESSORIES

# QUADRAMOBILE

	CODE #	W	D	H	lbs	\$
<b>DOORS</b>						
76" HIGH	QS.DRS/300.760	30	-	76	48.6	<b>\$785.00</b>
	QS.DRS/360.760	36	-	76	58.8	<b>\$811.00</b>
	QS.DRS/393.760	39	-	76	64.0	<b>\$825.00</b>
	QS.DRS/420.760	42	-	76	69.1	<b>\$837.00</b>
	QS.DRS/480.760	48	-	76	79.3	<b>\$863.00</b>
79" HIGH	QS.DRS/300.790	30	-	79	50.5	<b>\$790.00</b>
	QS.DRS/360.790	36	-	79	61.3	<b>\$817.00</b>
	QS.DRS/393.790	39	-	79	66.7	<b>\$832.00</b>
	QS.DRS/420.790	42	-	79	72.2	<b>\$844.00</b>
	QS.DRS/480.790	48	-	79	82.9	<b>\$870.00</b>
85" HIGH	QS.DRS/300.850	30	-	85	52.9	<b>\$797.00</b>
	QS.DRS/360.850	36	-	85	64.2	<b>\$825.00</b>
	QS.DRS/393.850	39	-	85	69.9	<b>\$841.00</b>
	QS.DRS/420.850	42	-	85	75.6	<b>\$854.00</b>
	QS.DRS/480.850	48	-	85	86.9	<b>\$882.00</b>
88" HIGH	QS.DRS/300.880	30	-	88	54.3	<b>\$800.00</b>
	QS.DRS/360.880	36	-	88	66.0	<b>\$831.00</b>
	QS.DRS/393.880	39	-	88	71.9	<b>\$846.00</b>
	QS.DRS/420.880	42	-	88	77.8	<b>\$860.00</b>
	QS.DRS/480.880	48	-	88	89.5	<b>\$889.00</b>



**Notes :**

- To order doors, choose the same height as the upright frame.
- Ex. : Doors **QS.DRS/360.760** require a SmartShelf frame **QS.RFRAME1/12.760**

**QM/54**

Issued 06-01-2005

