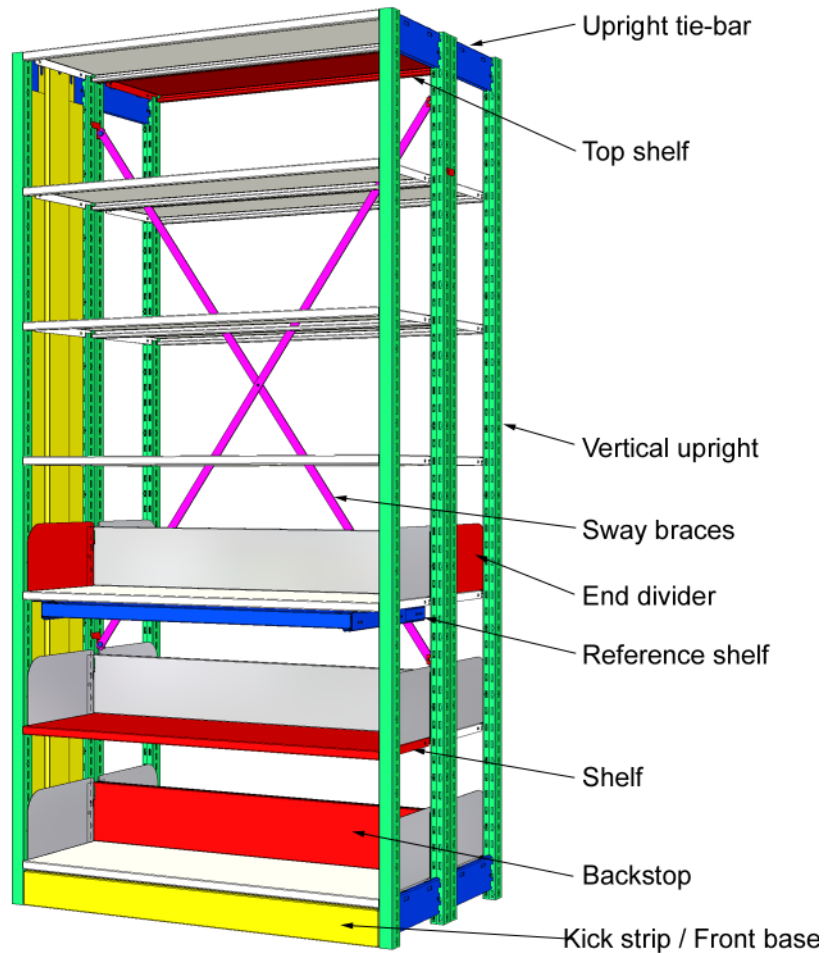


# SMARTSHELF HOOK TYPE

## 4-Post Hybrid Shelving Systems



**SMARTSHELF**  
Think Outside the Box



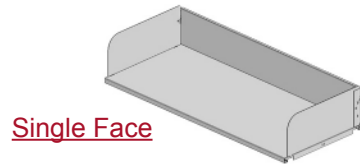
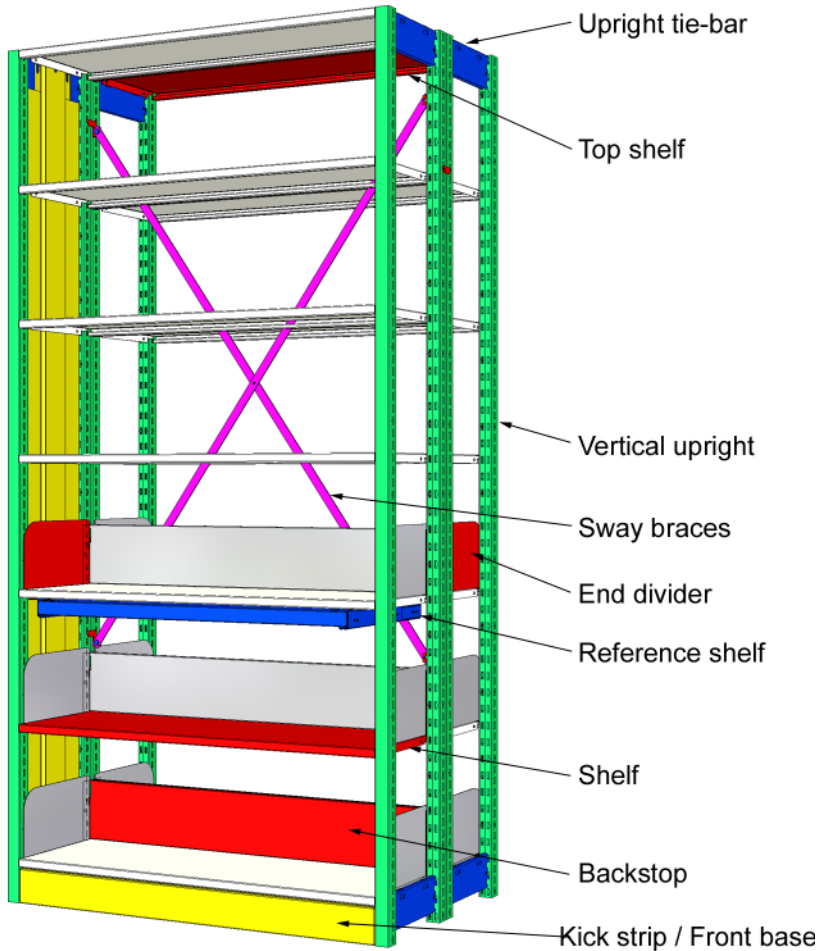
Phone : 321-777-0464  
Fax : 312-777-3539  
Toll Free : 800-772-7562  
E-Mail : [aetnagsa@montel.com](mailto:aetnagsa@montel.com)  
Web : [www.aetnastak.com](http://www.aetnastak.com)

**MONTEL**  
**AETNASTAK**

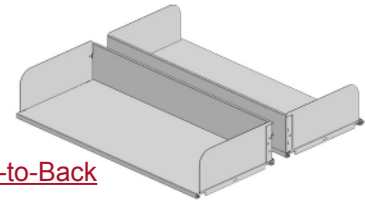
<b>Glossary</b>	<b>SH/4</b>
<b>Kits</b>	
Kit with 18 gauge hooked plain shelf	<b>SH/5-SH/6</b>
Kit with 18 gauge hooked slotted shelf	<b>SH/7-SH/8</b>
<b>Upright frames</b>	
Upright frame	<b>SH/9-SH/10</b>
Upright frame with 1 closure panel	<b>SH/11-SH/12</b>
Upright frame with 2 closure panels	<b>SH/13-SH/14</b>
Welded upright frame	<b>SH/15-SH/16</b>
Upright components	<b>SH/17-SH/18</b>
<b>Panels</b>	
Upright closure panels	<b>SH/19-SH/20</b>
Steel back panels	<b>SH/21-SH/22</b>
Steel & textured steel front or end panels	<b>SH/23-SH/26</b>
<b>Shelves</b>	
Hooked shelf assembly codification & description	<b>SH/27</b>
Plain hooked shelf assembly kit 18 gauge	<b>SH/28-SH/29</b>
Slotted hooked shelf assembly kit 18 gauge	<b>SH/30-SH/31</b>
Plain hooked box shelf assembly kit 18 gauge	<b>SH/32-SH/33</b>
Slotted hooked box shelf assembly kit 18 gauge	<b>SH/34-SH/35</b>
Top hooked (canopy) shelf assembly kit 18 gauge	<b>SH/36-SH/37</b>
Shelf components	<b>SH/38</b>
<b>Accessories</b>	
Sliding reference shelf	<b>SH/39</b>
Sliding frame for pendaflex	<b>SH/39</b>
Sliding frame with drawer front (keyed different or alike)	<b>SH/40</b>
Sliding frame with drawer front without lock	<b>SH/40</b>
File drawer (keyed different or alike)	<b>SH/41</b>
File drawer without lock	<b>SH/41</b>
4" high drawer	<b>SH/42</b>
6" high drawer	<b>SH/43</b>
8" high drawer	<b>SH/44</b>
Front-to-back support	<b>SH/45</b>

# SMARTSHELF

Side-to-side support_____	<b>SH/45</b>
Front-to-back plain divider_____	<b>SH/45</b>
Suspension bar for oblique folder_____	<b>SH/46</b>
Suspension bar for computer print-outs_____	<b>SH/46</b>
Kick strip / Front base_____	<b>SH/46</b>
Findable book support_____	<b>SH/46</b>
Wire book support_____	<b>SH/47</b>
Front stop_____	<b>SH/47</b>
Label holder_____	<b>SH/47</b>
Range finder_____	<b>SH/47</b>
Card holder_____	<b>SH/47</b>
Doors_____	<b>SH/48-SH/49</b>
Pendaflex drawers codes_____	<b>SH/50</b>
Multipurpose drawers codes_____	<b>SH/51</b>



Single Face



Back-to-Back

- Back stop** \_\_\_\_\_ Shelf back installed on a single entry shelf
- Closure panel** \_\_\_\_\_ Part used to close the area between two **UPRIGHT FRAME**
- Divider** \_\_\_\_\_ Adjustable divider to separate and support files
- End divider** \_\_\_\_\_ **DIVIDER** located at each end of a **PLAIN** or a **SLOTTED BOX SHELF**
- Kick strip / Front base** \_\_\_\_\_ Filler between **BOTTOM SHELF** and Floor
- Plain shelf** \_\_\_\_\_ Shelf with slots to accommodate sides **DIVIDERS ONLY**
- Reference shelf** \_\_\_\_\_ Pull-out shelf designed for files consultation
- Shelf assembly** \_\_\_\_\_ Includes required parts
- Slotted shelf** \_\_\_\_\_ Shelf with slots at every 1" increments to accommodate **DIVIDERS**
- Sway-braces** \_\_\_\_\_ "X" shaped part designed to reinforce the structure laterally
- Top canopy shelf** \_\_\_\_\_ **PLAIN** non-slotted shelf on top of a section
- Upright frame** \_\_\_\_\_ Assembly consisting of two **VERTICAL UPRIGHTS** and two or more **UPRIGHT TIE-BARS**
- Upright tie-bar** \_\_\_\_\_ Part connecting two **VERTICAL UPRIGHTS** to create an **UPRIGHT FRAME**
- Vertical upright** \_\_\_\_\_ Slotted post to accommodate **ALUMINIUM HOOKS**

**Notes :**

All dimensions are nominal (See specifications)

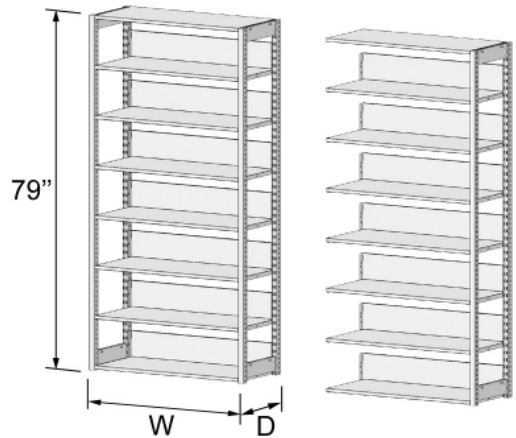
# 18 GAUGE KIT WITH HOOKED PLAIN SHELVES

79" high, 7 openings

# SMARTSHELF

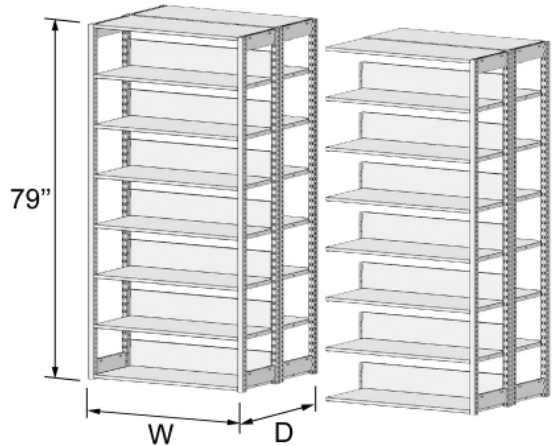
SINGLE FACE

CODE #	W	D	H	lbs	\$
<b>STARTER</b>					
QSKH.PSS793612	36	12	79	113.8	\$444.00
QSKH.PSS793615	36	15	79	127.2	\$475.00
QSKH.PSS794212	42	12	79	145.0	\$579.00
QSKH.PSS794215	42	15	79	160.4	\$613.00
QSKH.PSS794812	48	12	79	161.2	\$613.00
QSKH.PSS794815	48	15	79	178.6	\$652.00
<b>ADDER</b>					
QSKH.PAS793612	36	12	79	94.4	\$341.00
QSKH.PAS793615	36	15	79	107.1	\$370.00
QSKH.PAS794212	42	12	79	125.4	\$475.00
QSKH.PAS794215	42	15	79	140.1	\$508.00
QSKH.PAS794812	48	12	79	141.5	\$510.00
QSKH.PAS794815	48	15	79	158.1	\$546.00



DOUBLE FACE

<b>STARTER</b>					
QSKH.PSD793624	36	24	79	224.7	\$855.00
QSKH.PSD793630	36	30	79	251.5	\$918.00
QSKH.PSD794224	42	24	79	287.1	\$1,124.00
QSKH.PSD794230	42	30	79	317.8	\$1,193.00
QSKH.PSD794824	48	24	79	319.3	\$1,193.00
QSKH.PSD794830	48	30	79	354.0	\$1,270.00
<b>ADDER</b>					
QSKH.PAD793624	36	24	79	189.0	\$686.00
QSKH.PAD793630	36	30	79	214.4	\$745.00
QSKH.PAD794224	42	24	79	251.1	\$955.00
QSKH.PAD794230	42	30	79	280.5	\$1,020.00
QSKH.PAD794824	48	24	79	283.2	\$1,023.00
QSKH.PAD794830	48	30	79	316.6	\$1,096.00



### Notes :

- Single face starter includes : 2 upright frames & 8 shelves
- Single face adder includes : 1 upright frame & 8 shelves
- Double face starter includes : 4 upright frames & 8 shelves
- Double face adder includes : 2 upright frames & 8 shelves
- Top shelf is a 18 gauge hooked plain shelf without reinforcements
- 4 aluminium hooks and necessary reinforcements included
- 18 gauge shelves
- Dividers not included
- Levelers not included
- Front base not included

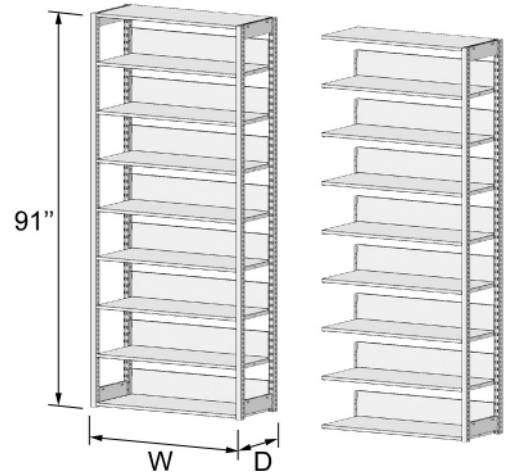
# 18 GAUGE KIT WITH HOOKED PLAIN SHELVES

91" high, 8 openings

# SMARTSHELF

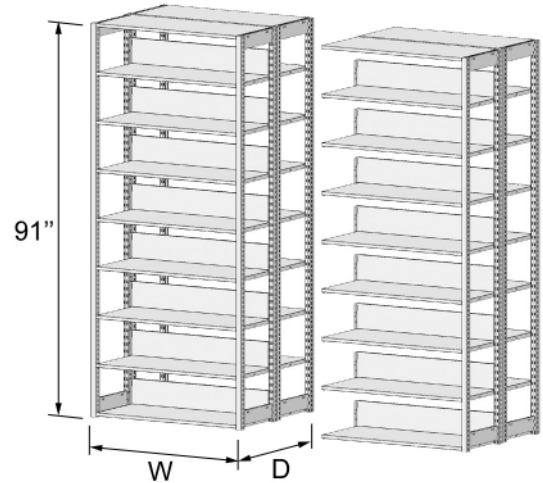
SINGLE FACE

CODE #	W	D	H	lbs	\$
<b>STARTER</b>					
QSKH.PSS913612	36	12	91	128.1	\$489.00
QSKH.PSS913615	36	15	91	143.0	\$524.00
QSKH.PSS914212	42	12	91	163.3	\$641.00
QSKH.PSS914215	42	15	91	180.4	\$679.00
QSKH.PSS914812	48	12	91	181.5	\$680.00
QSKH.PSS914815	48	15	91	200.9	\$723.00
<b>ADDER</b>					
QSKH.PAS913612	36	12	91	106.6	\$381.00
QSKH.PAS913615	36	15	91	120.8	\$414.00
QSKH.PAS914212	42	12	91	141.6	\$533.00
QSKH.PAS914215	42	15	91	158.0	\$569.00
QSKH.PAS914812	48	12	91	159.6	\$571.00
QSKH.PAS914815	48	15	91	178.3	\$612.00



DOUBLE FACE

<b>STARTER</b>					
QSKH.PSD913624	36	24	91	253.3	\$946.00
QSKH.PSD913630	36	30	91	283.1	\$1,016.00
QSKH.PSD914224	42	24	91	323.5	\$1,249.00
QSKH.PSD914230	42	30	91	357.8	\$1,326.00
QSKH.PSD914824	48	24	91	359.8	\$1,327.00
QSKH.PSD914830	48	30	91	398.6	\$1,412.00
<b>ADDER</b>					
QSKH.PAD913624	36	24	91	213.4	\$767.00
QSKH.PAD913630	36	30	91	241.8	\$832.00
QSKH.PAD914224	42	24	91	283.4	\$1,069.00
QSKH.PAD914230	42	30	91	316.3	\$1,142.00
QSKH.PAD914824	48	24	91	319.5	\$1,147.00
QSKH.PAD914830	48	30	91	356.9	\$1,228.00



**Notes :**

- Single face starter includes : 2 upright frames & 9 shelves
- Single face adder includes : 1 upright frame & 9 shelves
- Double face starter includes : 4 upright frames & 9 shelves
- Double face adder includes : 2 upright frames & 9 shelves
- Top shelf is a 18 gauge hooked plain shelf without reinforcements
- 4 aluminium hooks and necessary reinforcements included
- 18 gauge shelves
- Dividers not included
- Levelers not included
- Front base not included

# SH/6

Issued 06-01-2005

**MONTEL AETNASTAK**

**GSA** Schedule  
Contract GS-28F-8817M

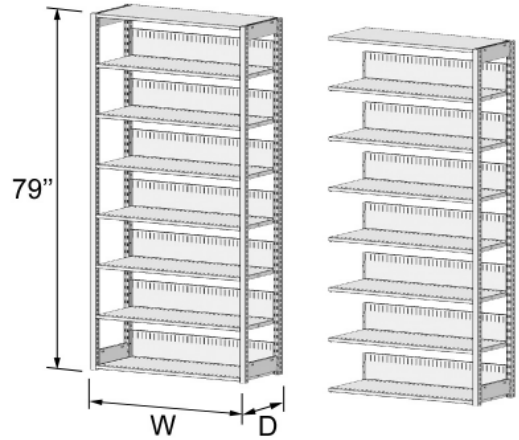
# 18 GAUGE KIT WITH HOOKED SLOTTED SHELVES

79" high, 7 openings

# SMARTSHELF

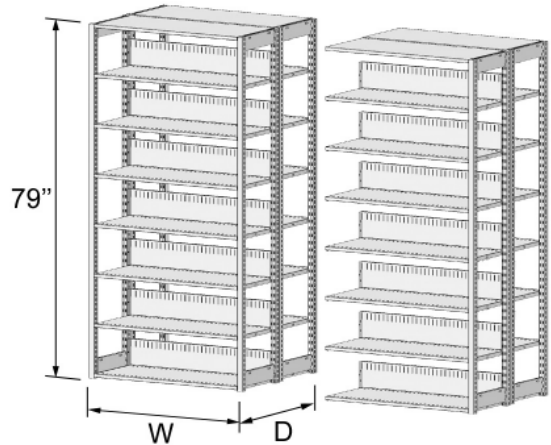
SINGLE FACE

CODE #	W	D	H	lbs	\$
<b>STARTER</b>					
QSKH.SSS793612	36	12	79	140.9	\$583.00
QSKH.SSS793615	36	15	79	157.1	\$622.00
QSKH.SSS794212	42	12	79	174.8	\$720.00
QSKH.SSS794215	42	15	79	193.0	\$765.00
QSKH.SSS794812	48	12	79	193.7	\$762.00
QSKH.SSS794815	48	15	79	213.9	\$811.00
<b>ADDER</b>					
QSKH.SAS793612	36	12	79	121.4	\$480.00
QSKH.SAS793615	36	15	79	137.0	\$517.00
QSKH.SAS794212	42	12	79	155.2	\$617.00
QSKH.SAS794215	42	15	79	172.8	\$660.00
QSKH.SAS794812	48	12	79	173.9	\$658.00
QSKH.SAS794815	48	15	79	193.5	\$705.00



DOUBLE FACE

<b>STARTER</b>					
QSKH.SSD793624	36	24	79	278.9	\$1,134.00
QSKH.SSD793630	36	30	79	311.3	\$1,211.00
QSKH.SSD794224	42	24	79	346.6	\$1,407.00
QSKH.SSD794230	42	30	79	383.0	\$1,497.00
QSKH.SSD794824	48	24	79	384.2	\$1,490.00
QSKH.SSD794830	48	30	79	424.6	\$1,588.00
<b>ADDER</b>					
QSKH.SAD793624	36	24	79	243.1	\$965.00
QSKH.SAD793630	36	30	79	274.2	\$1,037.00
QSKH.SAD794224	42	24	79	310.7	\$1,237.00
QSKH.SAD794230	42	30	79	345.8	\$1,323.00
QSKH.SAD794824	48	24	79	348.1	\$1,320.00
QSKH.SAD794830	48	30	79	387.2	\$1,414.00



**Notes :**

- Single face starter includes : 2 upright frames & 8 shelves
- Single face adder includes : 1 upright frame & 8 shelves
- Double face starter includes : 4 upright frames & 8 shelves
- Double face adder includes : 2 upright frames & 8 shelves
- Top shelf is a 18 gauge hooked plain shelf without reinforcements
- 4 aluminium hooks and necessary reinforcements included
- 18 gauge shelves
- Dividers not included
- Levelers not included
- Front base not included

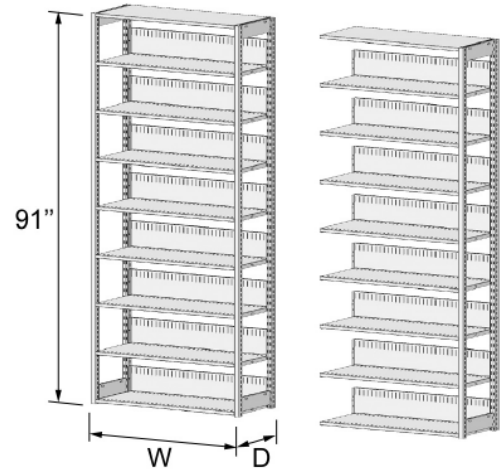
# 18 GAUGE KIT WITH HOOKED SLOTTED SHELVES

91" high, 8 openings

# SMARTSHELF

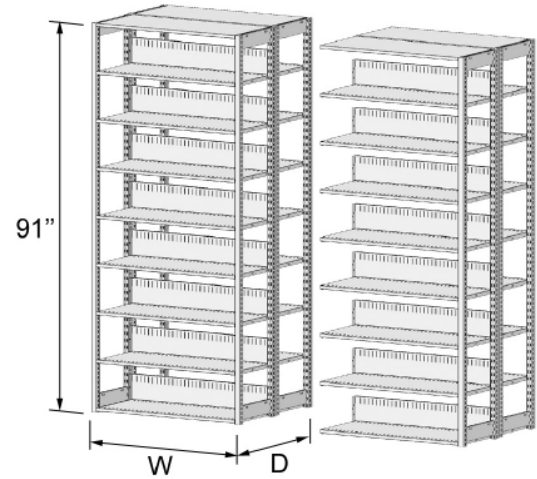
SINGLE FACE

CODE #	W	D	H	lbs	\$
<b>STARTER</b>					
QSKH.SSS913612	36	12	91	159.1	\$648.00
QSKH.SSS913615	36	15	91	177.2	\$691.00
QSKH.SSS914212	42	12	91	197.3	\$802.00
QSKH.SSS914215	42	15	91	217.7	\$853.00
QSKH.SSS914812	48	12	91	218.6	\$850.00
QSKH.SSS914815	48	15	91	241.3	\$904.00
<b>ADDER</b>					
QSKH.SAS913612	36	12	91	137.5	\$541.00
QSKH.SAS913615	36	15	91	155.0	\$581.00
QSKH.SAS914212	42	12	91	175.6	\$694.00
QSKH.SAS914215	42	15	91	195.3	\$743.00
QSKH.SAS914812	48	12	91	196.7	\$741.00
QSKH.SAS914815	48	15	91	218.7	\$794.00



DOUBLE FACE

CODE #	W	D	H	lbs	\$
<b>STARTER</b>					
QSKH.SSD913624	36	24	91	315.3	\$1,264.00
QSKH.SSD913630	36	30	91	351.5	\$1,350.00
QSKH.SSD914224	42	24	91	391.6	\$1,572.00
QSKH.SSD914230	42	30	91	432.3	\$1,673.00
QSKH.SSD914824	48	24	91	434.1	\$1,666.00
QSKH.SSD914830	48	30	91	479.3	\$1,776.00
<b>ADDER</b>					
QSKH.SAD913624	36	24	91	275.3	\$1,085.00
QSKH.SAD913630	36	30	91	310.2	\$1,167.00
QSKH.SAD914224	42	24	91	351.4	\$1,392.00
QSKH.SAD914230	42	30	91	390.9	\$1,489.00
QSKH.SAD914824	48	24	91	393.7	\$1,486.00
QSKH.SAD914830	48	30	91	437.7	\$1,591.00



**Notes :**

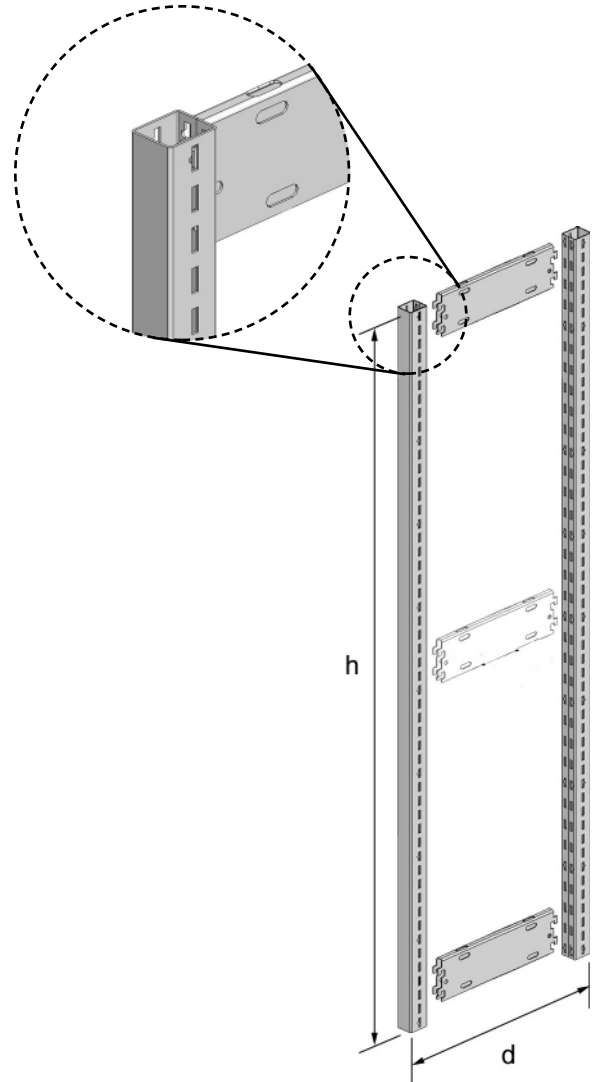
- Single face starter includes : 2 upright frames & 9 shelves
- Single face adder includes : 1 upright frame & 9 shelves
- Double face starter includes : 4 upright frames & 9 shelves
- Double face adder includes : 2 upright frames & 9 shelves
- Top shelf is a 18 gauge hooked plain shelf without reinforcements
- 4 aluminium hooks and necessary reinforcements included
- 18 gauge shelves
- Dividers not included
- Levelers not included
- Front base not included

SH/8

# UPRIGHT FRAME

# SMARTSHELF

	CODE #	W	D	H	lbs	\$
76" HIGH	QS.RFRAME1/08.760	-	8	76	15.5	<b>\$62.90</b>
	QS.RFRAME1/09.760	-	9	76	16.0	<b>\$63.80</b>
	QS.RFRAME1/10.760	-	10	76	17.4	<b>\$64.40</b>
	QS.RFRAME1/12.760**	-	12	76	17.6	<b>\$65.90</b>
	QS.RFRAME1/13.760	-	13	76	18.0	<b>\$66.50</b>
	QS.RFRAME1/15.760**	-	15	76	18.6	<b>\$68.00</b>
	QS.RFRAME1/16.760	-	16	76	18.9	<b>\$68.60</b>
	QS.RFRAME1/18.760	-	18	76	19.6	<b>\$70.10</b>
	QS.RFRAME1/24.760	-	24	76	21.2	<b>\$74.30</b>
79" HIGH	QS.RFRAME1/08.790	-	8	79	15.6	<b>\$64.10</b>
	QS.RFRAME1/09.790	-	9	79	16.2	<b>\$65.00</b>
	QS.RFRAME1/10.790	-	10	79	18.1	<b>\$65.60</b>
	QS.RFRAME1/12.790	-	12	79	18.3	<b>\$67.10</b>
	QS.RFRAME1/13.790	-	13	79	18.6	<b>\$67.70</b>
	QS.RFRAME1/15.790	-	15	79	19.2	<b>\$69.20</b>
	QS.RFRAME1/16.790	-	16	79	19.5	<b>\$69.80</b>
	QS.RFRAME1/18.790	-	18	79	20.2	<b>\$71.30</b>
	QS.RFRAME1/24.790	-	24	79	21.8	<b>\$75.50</b>
85" HIGH	QS.RFRAME1/08.850	-	8	85	15.8	<b>\$66.30</b>
	QS.RFRAME1/09.850	-	9	85	16.6	<b>\$67.20</b>
	QS.RFRAME1/10.850	-	10	85	19.2	<b>\$67.80</b>
	QS.RFRAME1/12.850**	-	12	85	19.3	<b>\$69.30</b>
	QS.RFRAME1/13.850	-	13	85	19.5	<b>\$69.90</b>
	QS.RFRAME1/15.850**	-	15	85	20.2	<b>\$71.40</b>
	QS.RFRAME1/16.850	-	16	85	20.5	<b>\$72.00</b>
	QS.RFRAME1/18.850	-	18	85	21.1	<b>\$73.50</b>
	QS.RFRAME1/24.850	-	24	85	22.8	<b>\$77.70</b>



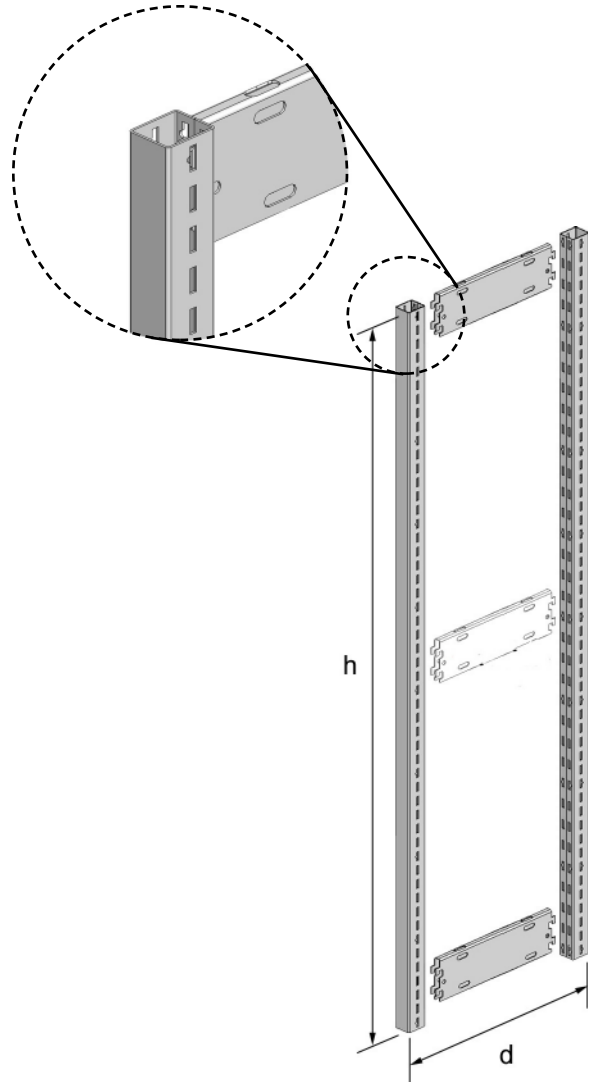
**Notes :**

\*\* Available on QuickShip program (see **QuickShip** tab)

# UPRIGHT FRAME

# SMARTSHELF

CODE #	W	D	H	lbs	\$
QS.RFRAME1/08.880	-	8	88	16.3	<b>\$67.50</b>
QS.RFRAME1/09.880	-	9	88	17.2	<b>\$68.40</b>
QS.RFRAME1/10.880	-	10	88	19.8	<b>\$69.00</b>
QS.RFRAME1/12.880**	-	12	88	19.9	<b>\$70.50</b>
QS.RFRAME1/13.880	-	13	88	20.1	<b>\$71.10</b>
QS.RFRAME1/15.880**	-	15	88	20.7	<b>\$72.60</b>
QS.RFRAME1/16.880	-	16	88	21.0	<b>\$73.20</b>
QS.RFRAME1/18.880	-	18	88	21.7	<b>\$74.70</b>
QS.RFRAME1/24.880	-	24	88	23.3	<b>\$78.90</b>
<b>88" HIGH</b>					
QS.RFRAME1/08.910	-	8	91	18.9	<b>\$70.90</b>
QS.RFRAME1/09.910	-	9	91	19.8	<b>\$71.80</b>
QS.RFRAME1/10.910	-	10	91	20.7	<b>\$74.40</b>
QS.RFRAME1/12.910	-	12	91	20.8	<b>\$73.90</b>
QS.RFRAME1/13.910	-	13	91	21.0	<b>\$74.50</b>
QS.RFRAME1/15.910	-	15	91	21.6	<b>\$76.00</b>
QS.RFRAME1/16.910	-	16	91	21.9	<b>\$76.60</b>
QS.RFRAME1/18.910	-	18	91	22.5	<b>\$78.10</b>
QS.RFRAME1/24.910	-	24	91	24.6	<b>\$82.30</b>
<b>91" HIGH</b>					
QS.RFRAME2/08.970	-	8	97	19.8	<b>\$76.20</b>
QS.RFRAME2/09.970	-	9	97	21.0	<b>\$77.40</b>
QS.RFRAME2/10.970	-	10	97	24.1	<b>\$78.20</b>
QS.RFRAME2/12.970	-	12	97	24.2	<b>\$80.20</b>
QS.RFRAME2/13.970	-	13	97	24.7	<b>\$81.00</b>
QS.RFRAME2/15.970	-	15	97	25.7	<b>\$83.00</b>
QS.RFRAME2/16.970	-	16	97	26.3	<b>\$83.80</b>
QS.RFRAME2/18.970	-	18	97	27.3	<b>\$85.80</b>
QS.RFRAME2/24.970	-	24	97	30.7	<b>\$91.40</b>
<b>97" HIGH</b>					



**SH/10**

**Notes :**

\*\* Available on QuickShip program (see **QuickShip** tab)

Issued 06-01-2005

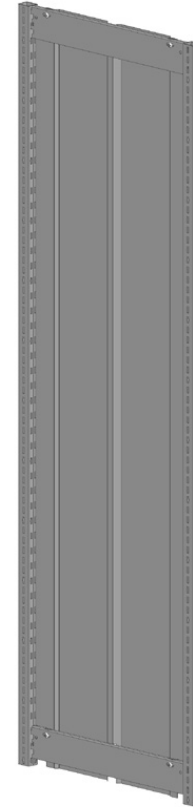
**MONTEL AETNASTAK**

**GSA** Schedule  
Contract QS-28F-8817M

# UPRIGHT FRAME WITH 1 CLOSURE PANEL

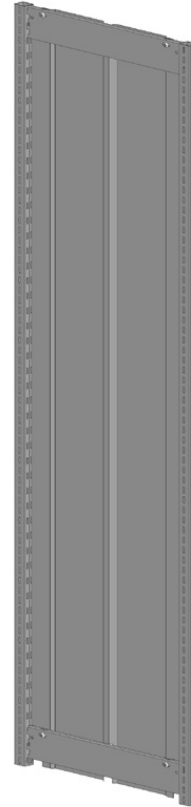
# SMARTSHELF

CODE #	W	D	H	lbs	\$
QS.SFRAME1/08.760	-	8	76	20.8	<b>\$86.40</b>
QS.SFRAME1/09.760	-	9	76	21.8	<b>\$89.10</b>
QS.SFRAME1/10.760	-	10	76	23.6	<b>\$91.60</b>
76" HIGH QS.SFRAME1/12.760	-	12	76	25.4	<b>\$96.80</b>
QS.SFRAME1/13.760	-	13	76	26.4	<b>\$99.30</b>
QS.SFRAME1/15.760	-	15	76	28.4	<b>\$104.50</b>
QS.SFRAME1/16.760	-	16	76	29.4	<b>\$107.00</b>
QS.SFRAME1/18.760	-	18	76	31.5	<b>\$112.20</b>
QS.SFRAME1/24.760	-	24	76	37.6	<b>\$127.60</b>
QS.SFRAME1/08.790	-	8	79	22.0	<b>\$88.10</b>
QS.SFRAME1/09.790	-	9	79	23.2	<b>\$90.80</b>
QS.SFRAME1/10.790	-	10	79	24.8	<b>\$93.40</b>
79" HIGH QS.SFRAME1/12.790	-	12	79	26.6	<b>\$98.70</b>
QS.SFRAME1/13.790	-	13	79	27.6	<b>\$101.30</b>
QS.SFRAME1/15.790	-	15	79	29.7	<b>\$108.70</b>
QS.SFRAME1/16.790	-	16	79	30.8	<b>\$109.30</b>
QS.SFRAME1/18.790	-	18	79	32.9	<b>\$114.60</b>
QS.SFRAME1/24.790	-	24	79	39.3	<b>\$130.90</b>
QS.SFRAME1/08.850	-	8	85	23.6	<b>\$91.00</b>
QS.SFRAME1/09.850	-	9	85	24.9	<b>\$94.00</b>
QS.SFRAME1/10.850	-	10	85	26.3	<b>\$96.70</b>
85" HIGH QS.SFRAME1/12.850	-	12	85	28.2	<b>\$102.50</b>
QS.SFRAME1/13.850	-	13	85	29.2	<b>\$105.20</b>
QS.SFRAME1/15.850	-	15	85	31.4	<b>\$110.90</b>
QS.SFRAME1/16.850	-	16	85	32.5	<b>\$113.70</b>
QS.SFRAME1/18.850	-	18	85	34.7	<b>\$119.40</b>
QS.SFRAME1/24.850	-	24	85	41.4	<b>\$136.30</b>



# UPRIGHT FRAME WITH 1 CLOSURE PANEL

# SMARTSHELF



CODE #	W	D	H	lbs	\$
QS.SFRAME1/08.880	-	8	88	24.3	<b>\$92.70</b>
QS.SFRAME1/09.880	-	9	88	25.7	<b>\$95.70</b>
QS.SFRAME1/10.880	-	10	88	27.2	<b>\$98.50</b>
88" HIGH QS.SFRAME1/12.880	-	12	88	29.2	<b>\$104.40</b>
QS.SFRAME1/13.880	-	13	88	30.2	<b>\$107.20</b>
QS.SFRAME1/15.880	-	15	88	32.4	<b>\$113.10</b>
QS.SFRAME1/16.880	-	16	88	33.5	<b>\$116.00</b>
QS.SFRAME1/18.880	-	18	88	35.9	<b>\$121.80</b>
QS.SFRAME1/24.880	-	24	88	42.7	<b>\$139.30</b>
QS.SFRAME1/08.910	-	8	91	26.5	<b>\$97.30</b>
QS.SFRAME1/09.910	-	9	91	27.9	<b>\$98.20</b>
QS.SFRAME1/10.910	-	10	91	30.8	<b>\$103.70</b>
91" HIGH QS.SFRAME1/12.910	-	12	91	32.9	<b>\$110.10</b>
QS.SFRAME1/13.910	-	13	91	34.2	<b>\$113.20</b>
QS.SFRAME1/15.910	-	15	91	36.8	<b>\$119.60</b>
QS.SFRAME1/16.910	-	16	91	38.2	<b>\$122.60</b>
QS.SFRAME1/18.910	-	18	91	40.8	<b>\$129.00</b>
QS.SFRAME1/24.910	-	24	91	48.9	<b>\$147.90</b>
QS.SFRAME1/08.970	-	8	97	26.7	<b>\$97.30</b>
QS.SFRAME1/09.970	-	9	97	28.1	<b>\$98.20</b>
QS.SFRAME1/10.970	-	10	97	31.0	<b>\$103.70</b>
97" HIGH QS.SFRAME1/12.970	-	12	97	33.1	<b>\$110.10</b>
QS.SFRAME1/13.970	-	13	97	34.4	<b>\$113.20</b>
QS.SFRAME1/15.970	-	15	97	37.0	<b>\$119.60</b>
QS.SFRAME1/16.970	-	16	97	38.4	<b>\$122.60</b>
QS.SFRAME1/18.970	-	18	97	41.0	<b>\$129.00</b>
QS.SFRAME1/24.970	-	24	97	49.1	<b>\$147.90</b>

# SH/12

Issued 06-01-2005

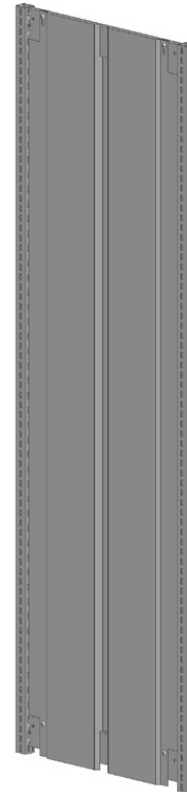
**MONTEL AETNASTAK**

**GSA** Schedule  
Contract GS-28F-8817M

# UPRIGHT FRAME WITH 2 CLOSURE PANELS

# SMARTSHELF

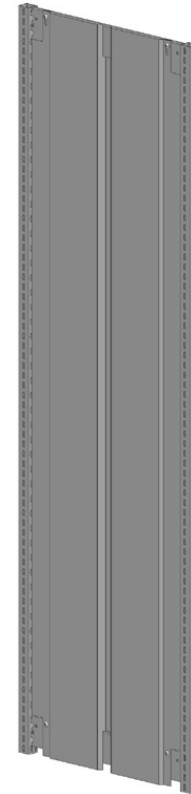
CODE #	W	D	H	lbs	\$
QS.SFRAME2/08.760	-	8	76	27.3	<b>\$115.20</b>
QS.SFRAME2/09.760	-	9	76	28.0	<b>\$120.00</b>
QS.SFRAME2/10.760	-	10	76	31.8	<b>\$124.60</b>
QS.SFRAME2/12.760	-	12	76	34.9	<b>\$134.00</b>
QS.SFRAME2/13.760	-	13	76	36.6	<b>\$138.60</b>
QS.SFRAME2/15.760	-	15	76	40.2	<b>\$148.00</b>
QS.SFRAME2/16.760	-	16	76	42.0	<b>\$152.60</b>
QS.SFRAME2/18.760	-	18	76	45.7	<b>\$162.00</b>
QS.SFRAME2/24.760	-	24	76	56.7	<b>\$190.00</b>
<b>76" HIGH</b>					
QS.SFRAME2/08.790	-	8	79	28.6	<b>\$117.40</b>
QS.SFRAME2/09.790	-	9	79	30.6	<b>\$122.20</b>
QS.SFRAME2/10.790	-	10	79	33.0	<b>\$127.00</b>
QS.SFRAME2/12.790	-	12	79	36.7	<b>\$136.60</b>
QS.SFRAME2/13.790	-	13	79	38.7	<b>\$141.40</b>
QS.SFRAME2/15.790	-	15	79	42.6	<b>\$153.20</b>
QS.SFRAME2/16.790	-	16	79	44.6	<b>\$156.00</b>
QS.SFRAME2/18.790	-	18	79	48.6	<b>\$165.60</b>
QS.SFRAME2/24.790	-	24	79	60.6	<b>\$195.10</b>
<b>79" HIGH</b>					
QS.SFRAME2/08.850	-	8	85	30.5	<b>\$121.00</b>
QS.SFRAME2/09.850	-	9	85	32.8	<b>\$126.40</b>
QS.SFRAME2/10.850	-	10	85	35.1	<b>\$131.40</b>
QS.SFRAME2/12.850	-	12	85	38.8	<b>\$142.00</b>
QS.SFRAME2/13.850	-	13	85	40.7	<b>\$147.00</b>
QS.SFRAME2/15.850	-	15	85	44.6	<b>\$157.40</b>
QS.SFRAME2/16.850	-	16	85	46.6	<b>\$162.60</b>
QS.SFRAME2/18.850	-	18	85	50.6	<b>\$173.00</b>
QS.SFRAME2/24.850	-	24	85	62.6	<b>\$204.00</b>
<b>85" HIGH</b>					



# UPRIGHT FRAME WITH 2 CLOSURE PANELS

# SMARTSHELF

	CODE #	W	D	H	lbs	\$
88" HIGH	QS.SFRAME2/08.880	-	8	88	31.6	\$123.20
	QS.SFRAME2/09.880	-	9	88	33.9	\$128.60
	QS.SFRAME2/10.880	-	10	88	36.3	\$133.80
	QS.SFRAME2/12.880	-	12	88	40.0	\$144.60
	QS.SFRAME2/13.880	-	13	88	42.0	\$149.80
	QS.SFRAME2/15.880	-	15	88	45.7	\$160.60
	QS.SFRAME2/16.880	-	16	88	47.7	\$166.00
	QS.SFRAME2/18.880	-	18	88	52.4	\$176.60
	QS.SFRAME2/24.880	-	24	88	58.4	\$208.80
91" HIGH	QS.SFRAME2/08.910	-	8	91	34.5	\$129.00
	QS.SFRAME2/09.910	-	9	91	36.9	\$135.00
	QS.SFRAME2/10.910	-	10	91	40.8	\$140.80
	QS.SFRAME2/12.910	-	12	91	45.9	\$152.60
	QS.SFRAME2/13.910	-	13	91	47.8	\$158.40
	QS.SFRAME2/15.910	-	15	91	49.8	\$170.20
	QS.SFRAME2/16.910	-	16	91	52.8	\$175.80
	QS.SFRAME2/18.910	-	18	91	57.0	\$187.60
	QS.SFRAME2/24.910	-	24	91	70.5	\$222.60
97" HIGH	QS.SFRAME2/08.970	-	8	97	34.7	\$129.00
	QS.SFRAME2/09.970	-	9	97	37.1	\$135.00
	QS.SFRAME2/10.970	-	10	97	41.0	\$140.80
	QS.SFRAME2/12.970	-	12	97	46.1	\$152.60
	QS.SFRAME2/13.970	-	13	97	48.0	\$158.40
	QS.SFRAME2/15.970	-	15	97	50.0	\$170.20
	QS.SFRAME2/16.970	-	16	97	53.0	\$175.80
	QS.SFRAME2/18.970	-	18	97	57.2	\$187.60
	QS.SFRAME2/24.970	-	24	97	70.7	\$222.60



# SH/14

Issued 06-01-2005

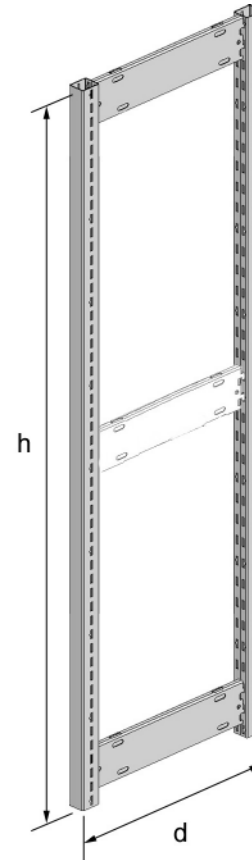
**MONTEL AETNASTAK**

**GSA** Schedule  
Contract GS-28F-0017M

# WELDED UPRIGHT FRAME

# SMARTSHELF

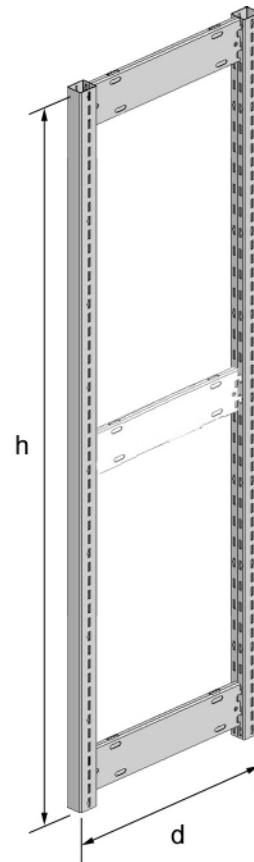
	CODE #	W	D	H	lbs	\$
76" HIGH	QS.WFRAME/08.760	-	8	76	14.8	<b>\$71.00</b>
	QS.WFRAME/09.760	-	9	76	15.0	<b>\$71.70</b>
	QS.WFRAME/10.760	-	10	76	16.1	<b>\$72.60</b>
	QS.WFRAME/12.760	-	12	76	16.3	<b>\$74.10</b>
	QS.WFRAME/13.760	-	13	76	16.6	<b>\$74.80</b>
	QS.WFRAME/15.760	-	15	76	17.0	<b>\$76.30</b>
	QS.WFRAME/16.760	-	16	76	17.2	<b>\$77.00</b>
	QS.WFRAME/18.760	-	18	76	17.7	<b>\$86.00</b>
	QS.WFRAME1/24.760	-	24	76	21.2	<b>\$106.10</b>
79" HIGH	QS.WFRAME/08.790	-	8	79	14.9	<b>\$72.10</b>
	QS.WFRAME/09.790	-	9	79	15.2	<b>\$72.80</b>
	QS.WFRAME/10.790	-	10	79	16.8	<b>\$73.70</b>
	QS.WFRAME/12.790	-	12	79	17.0	<b>\$75.20</b>
	QS.WFRAME/13.790	-	13	79	17.2	<b>\$76.00</b>
	QS.WFRAME/15.790	-	15	79	17.6	<b>\$77.40</b>
	QS.WFRAME/16.790	-	16	79	17.8	<b>\$78.20</b>
	QS.WFRAME/18.790	-	18	79	18.3	<b>\$87.10</b>
	QS.WFRAME1/24.790	-	24	79	21.8	<b>\$107.20</b>
85" HIGH	QS.WFRAME/08.850	-	8	85	15.1	<b>\$74.40</b>
	QS.WFRAME/09.850	-	9	85	15.6	<b>\$75.10</b>
	QS.WFRAME/10.850	-	10	85	17.9	<b>\$76.00</b>
	QS.WFRAME/12.850	-	12	85	18.0	<b>\$77.50</b>
	QS.WFRAME/13.850	-	13	85	18.1	<b>\$78.20</b>
	QS.WFRAME/15.850	-	15	85	18.6	<b>\$79.70</b>
	QS.WFRAME/16.850	-	16	85	18.8	<b>\$80.40</b>
	QS.WFRAME/18.850	-	18	85	19.2	<b>\$89.40</b>
	QS.WFRAME1/24.850	-	24	85	22.8	<b>\$109.50</b>



# WELDED UPRIGHT FRAME

# SMARTSHELF

	CODE #	W	D	H	lbs	\$
88" HIGH	QS.WFRAME/08.880	-	8	88	15.6	<b>\$75.50</b>
	QS.WFRAME/09.880	-	9	88	16.2	<b>\$76.30</b>
	QS.WFRAME/10.880	-	10	88	18.5	<b>\$77.10</b>
	QS.WFRAME/12.880	-	12	88	18.6	<b>\$78.60</b>
	QS.WFRAME/13.880	-	13	88	18.7	<b>\$79.40</b>
	QS.WFRAME/15.880	-	15	88	19.1	<b>\$80.80</b>
	QS.WFRAME/16.880	-	16	88	19.3	<b>\$81.60</b>
	QS.WFRAME/18.880	-	18	88	19.8	<b>\$90.50</b>
	QS.WFRAME1/24.880	-	24	88	23.3	<b>\$110.60</b>
91" HIGH	QS.WFRAME/08.910	-	8	91	18.2	<b>\$76.60</b>
	QS.WFRAME/09.910	-	9	91	18.8	<b>\$77.40</b>
	QS.WFRAME/10.910	-	10	91	19.4	<b>\$78.30</b>
	QS.WFRAME/12.910	-	12	91	19.5	<b>\$79.80</b>
	QS.WFRAME/13.910	-	13	91	19.6	<b>\$80.50</b>
	QS.WFRAME/15.910	-	15	91	20.0	<b>\$82.00</b>
	QS.WFRAME/16.910	-	16	91	20.2	<b>\$82.70</b>
	QS.WFRAME/18.910	-	18	91	20.6	<b>\$91.70</b>
	QS.WFRAME1/24.910	-	24	91	24.6	<b>\$111.80</b>
97" HIGH	QS.WFRAME1/08.970	-	8	97	19.1	<b>\$95.30</b>
	QS.WFRAME1/09.970	-	9	97	20.0	<b>\$96.40</b>
	QS.WFRAME1/10.970	-	10	97	22.8	<b>\$97.70</b>
	QS.WFRAME1/12.970	-	12	97	22.9	<b>\$100.00</b>
	QS.WFRAME1/13.970	-	13	97	23.3	<b>\$101.10</b>
	QS.WFRAME1/15.970	-	15	97	24.1	<b>\$103.30</b>
	QS.WFRAME1/16.970	-	16	97	24.6	<b>\$104.40</b>
	QS.WFRAME1/18.970	-	18	97	25.4	<b>\$106.40</b>
	QS.WFRAME1/24.970	-	24	97	28.1	<b>\$114.10</b>



**SH/16**

Issued 06-01-2005

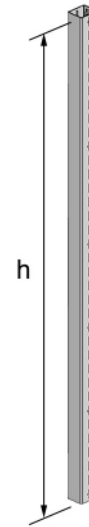
**MONTEL AETNASTAK**

**GSA** Schedule  
Contract GS-28F-8817M

CODE #                      W   D   H      lbs                      \$

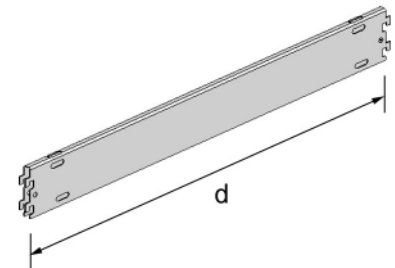
**VERTICAL UPRIGHT**

QS.UPR/760	-	-	76	6.6	\$23.50
QS.UPR/790	-	-	79	6.9	\$24.10
QS.UPR/850	-	-	85	7.4	\$25.20
QS.UPR/880	-	-	88	7.7	\$25.80
QS.UPR/910	-	-	91	8.4	\$27.50
QS.UPR/970	-	-	97	8.5	\$27.50



**UPRIGHT TIE-BAR**

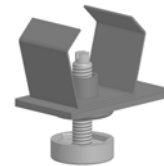
QS.UPTB/8	0.5	8	4	0.7	\$5.30
QS.UPTB/9	0.5	9	4	1.0	\$5.60
QS.UPTB/10	0.5	10	4	1.3	\$5.80
QS.UPTB/12	0.5	12	4	1.3	\$6.30
QS.UPTB/13	0.5	13	4	1.4	\$6.50
QS.UPTB/15	0.5	15	4	1.6	\$7.00
QS.UPTB/16	0.5	16	4	1.7	\$7.20
QS.UPTB/18	0.5	18	4	1.9	\$7.70
QS.UPTB/24	0.5	24	4	2.6	\$9.10



**LEVELER**

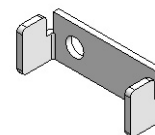
QS.GLIDE**	-	-	-	1.0	\$9.50
------------	---	---	---	-----	--------

- Add a minimum of 1/2" high to the overall height of the system
- Leveler allows 3/4" high adjustment



**BRACKET FOR UPRIGHT**

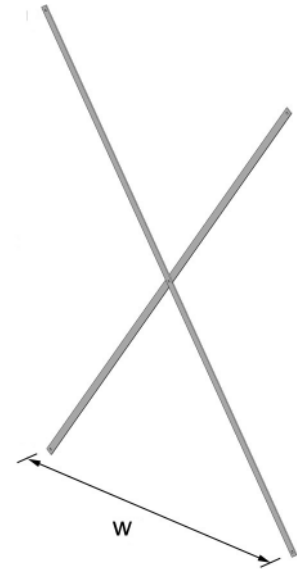
QS.UB**	-	-	-	0.1	\$4.00
---------	---	---	---	-----	--------



**Notes :**

\*\* Available on QuickShip program (see **QuickShip** tab)

	CODE #	W	D	H	lbs	\$
<b>SWAY BRACE</b>						
SINGLE FACE	QS.XSBST1/30	30	-	-	3.0	\$33.50
	QS.XSBST1/36	36	-	-	3.1	\$33.90
	QS.XSBST1/39	39	-	-	3.2	\$34.10
	QS.XSBST1/42	42	-	-	3.3	\$34.30
	QS.XSBST1/48	48	-	-	3.5	\$34.70
• Use this sway brace with frame 72"H and higher						
SINGLE FACE	QS.XSBST2/30	30	-	-	2.8	\$33.50
	QS.XSBST2/36	36	-	-	2.9	\$33.90
	QS.XSBST2/39	39	-	-	3.0	\$34.10
	QS.XSBST2/42	42	-	-	3.1	\$34.30
	QS.XSBST2/48	48	-	-	3.3	\$34.70
• Use this sway brace with frame between 48"H and 71"H						
SINGLE FACE	QS.XSBST3/30	30	-	-	2.6	\$33.50
	QS.XSBST3/36	36	-	-	2.7	\$33.90
	QS.XSBST3/39	39	-	-	2.8	\$34.10
	QS.XSBST3/42	42	-	-	2.9	\$34.30
	QS.XSBST3/48	48	-	-	3.1	\$34.70
• Use this sway brace with frame between 31"H and 47"H						
DOUBLE FACE	QS.XSBDT1/30	30	-	-	3.6	\$35.10
	QS.XSBDT1/36	36	-	-	3.7	\$35.40
	QS.XSBDT1/39	39	-	-	3.8	\$35.70
	QS.XSBDT1/42	42	-	-	3.9	\$35.80
	QS.XSBDT1/48	48	-	-	4.1	\$36.20
• Use this sway brace with frame 72"H and higher						
DOUBLE FACE	QS.XSBDT2/30	30	-	-	3.4	\$35.10
	QS.XSBDT2/36	36	-	-	3.5	\$35.40
	QS.XSBDT2/39	39	-	-	3.6	\$35.70
	QS.XSBDT2/42	42	-	-	3.7	\$35.80
	QS.XSBDT2/48	48	-	-	3.9	\$36.20
• Use this sway brace with frame between 48"H and 71"H						
DOUBLE FACE	QS.XSBDT3/30	30	-	-	3.2	\$35.10
	QS.XSBDT3/36	36	-	-	3.3	\$35.40
	QS.XSBDT3/39	39	-	-	3.4	\$35.70
	QS.XSBDT3/42	42	-	-	3.5	\$35.80
	QS.XSBDT3/48	48	-	-	3.7	\$36.20
• Use this sway brace with frame between 31"H and 47"H						



**Notes :**

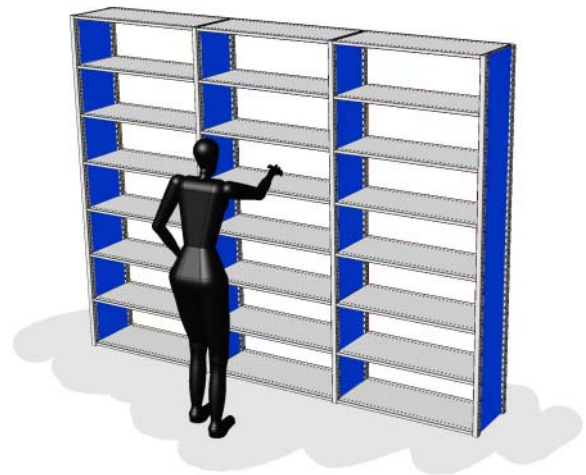
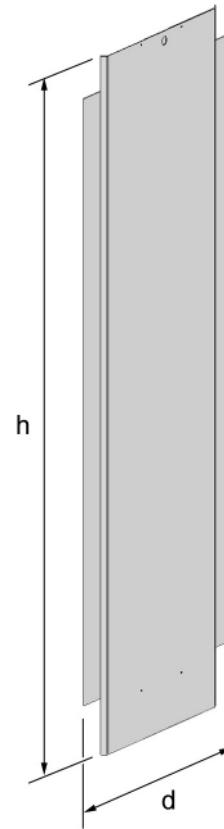
- For **seismic zone # 1**, 1 sway brace at every 4 sections is required
- For **seismic zone # 2**, 1 sway brace at every 2 sections is required
- For **seismic zone # 3 & 4**, 1 sway brace at each sections is required

\*\* Available on QuickShip program (see **QuickShip** tab)

# UPRIGHT CLOSURE PANELS

# SMARTSHELF

	CODE #	W	D	H	lbs	\$
76" HIGH	QS.NCP/08.760	-	8	76	6.3	<b>\$28.80</b>
	QS.NCP/09.760	-	9	76	7.1	<b>\$30.90</b>
	QS.NCP/10.760	-	10	76	7.9	<b>\$33.00</b>
	QS.NCP/12.760	-	12	76	9.5	<b>\$37.20</b>
	QS.NCP/13.760	-	13	76	10.2	<b>\$39.30</b>
	QS.NCP/15.760	-	15	76	11.8	<b>\$43.50</b>
	QS.NCP/16.760	-	16	76	12.6	<b>\$45.60</b>
	QS.NCP/18.760	-	18	76	14.2	<b>\$49.80</b>
	QS.NCP/24.760	-	24	76	19.0	<b>\$62.40</b>
79" HIGH	QS.NCP/08.790	-	8	79	6.6	<b>\$29.30</b>
	QS.NCP/09.790	-	9	79	7.4	<b>\$31.40</b>
	QS.NCP/10.790	-	10	79	8.2	<b>\$33.60</b>
	QS.NCP/12.790	-	12	79	10.1	<b>\$37.90</b>
	QS.NCP/13.790	-	13	79	11.1	<b>\$40.10</b>
	QS.NCP/15.790	-	15	79	12.4	<b>\$44.50</b>
	QS.NCP/16.790	-	16	79	13.2	<b>\$46.70</b>
	QS.NCP/18.790	-	18	79	14.8	<b>\$51.00</b>
	QS.NCP/24.790	-	24	79	19.9	<b>\$64.20</b>
85" HIGH	QS.NCP/08.850	-	8	85	7.0	<b>\$30.00</b>
	QS.NCP/09.850	-	9	85	7.9	<b>\$32.40</b>
	QS.NCP/10.850	-	10	85	8.8	<b>\$34.70</b>
	QS.NCP/12.850	-	12	85	10.6	<b>\$39.50</b>
	QS.NCP/13.850	-	13	85	11.5	<b>\$41.80</b>
	QS.NCP/15.850	-	15	85	13.2	<b>\$46.50</b>
	QS.NCP/16.850	-	16	85	14.1	<b>\$48.90</b>
	QS.NCP/18.850	-	18	85	15.9	<b>\$53.60</b>
	QS.NCP/24.850	-	24	85	21.2	<b>\$67.70</b>

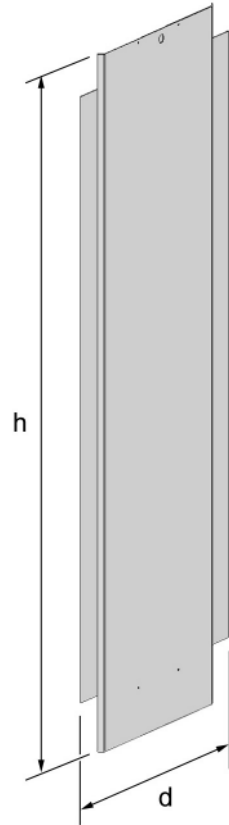


**Notes :**  
 • Two closure panels are required per shelving section

**UPRIGHT CLOSURE PANELS**

**SMARTSHELF**

	CODE #	W	D	H	lbs	\$
88" HIGH	QS.NCP/08.880	-	8	88	7.3	\$30.50
	QS.NCP/09.880	-	9	88	8.2	\$32.90
	QS.NCP/10.880	-	10	88	9.1	\$35.30
	QS.NCP/12.880	-	12	88	11.0	\$40.20
	QS.NCP/13.880	-	13	88	11.9	\$42.60
	QS.NCP/15.880	-	15	88	13.7	\$47.50
	QS.NCP/16.880	-	16	88	14.6	\$50.00
	QS.NCP/18.880	-	18	88	16.5	\$54.80
	QS.NCP/24.880	-	24	88	22.0	\$69.50
91" HIGH	QS.NCP/08.910	-	8	91	7.8	\$31.70
	QS.NCP/09.910	-	9	91	8.8	\$34.40
	QS.NCP/10.910	-	10	91	9.9	\$37.10
	QS.NCP/12.910	-	12	91	11.9	\$42.50
	QS.NCP/13.910	-	13	91	12.9	\$45.20
	QS.NCP/15.910	-	15	91	14.9	\$50.60
	QS.NCP/16.910	-	16	91	15.9	\$53.20
	QS.NCP/18.910	-	18	91	17.9	\$58.60
	QS.NCP/24.910	-	24	91	24.0	\$74.70
97" HIGH	QS.NCP/08.970	-	8	97	8.0	\$31.70
	QS.NCP/09.970	-	9	97	9.0	\$34.40
	QS.NCP/10.970	-	10	97	10.1	\$37.10
	QS.NCP/12.970	-	12	97	12.1	\$42.50
	QS.NCP/13.970	-	13	97	13.1	\$45.20
	QS.NCP/15.970	-	15	97	15.1	\$50.60
	QS.NCP/16.970	-	16	97	16.1	\$53.20
	QS.NCP/18.970	-	18	97	18.1	\$58.60
	QS.NCP/24.970	-	24	97	24.2	\$74.70



**Notes :**  
 • Two closure panels are required per shelving section

**SH/20**

Issued 06-01-2005

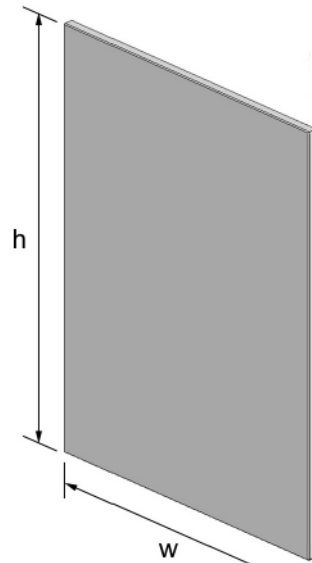
**MONTEL AETNASTAK**

**GSA Schedule**  
 Contract GS-28F-0017M

# STEEL BACK PANELS

Single face

# SMARTSHELF

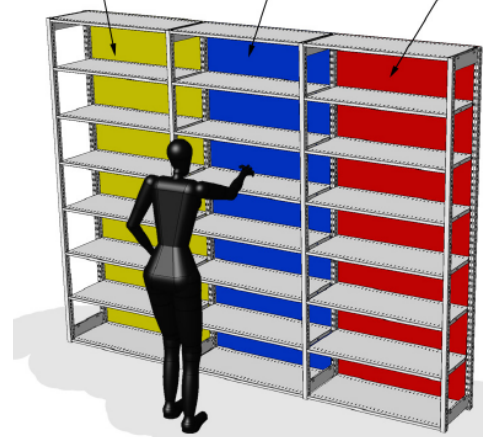


	CODE #				W	D	H	lbs	\$
	LEFT	CENTER	RIGHT	SINGLE					
	QS.BPL	QS.BPC	QS.BPR	QS.BPU					
76" HIGH	305.076	300.076	305.076	312.076	30	-	76	26.5	\$192.00
	365.076**	360.076**	365.076**	372.076**	36	-	76	31.3	\$192.00
	400.076	393.076	400.076	405.076	39	-	76	34.1	\$209.00
	425.076	420.076	425.076	432.076	42	-	76	36.2	\$225.00
	485.076	480.076	485.076	492.076	48	-	76	54.8	\$259.00
79" HIGH	305.079	300.079	305.079	312.079	30	-	79	27.3	\$200.00
	365.079	360.079	365.079	372.079	36	-	79	33.1	\$200.00
	400.079	393.079	400.079	405.079	39	-	79	36.0	\$214.00
	425.079	420.079	425.079	432.079	42	-	79	37.8	\$235.00
	485.079	480.079	485.079	492.079	48	-	79	57.8	\$269.00
85" HIGH	305.085	300.085	305.085	312.085	30	-	85	29.5	\$210.00
	365.085**	360.085**	365.085**	372.085**	36	-	85	35.0	\$210.00
	400.085	393.085	400.085	405.085	39	-	85	38.0	\$219.00
	425.085	420.085	425.085	432.085	42	-	85	40.4	\$247.00
	485.085	480.085	485.085	492.085	48	-	85	61.1	\$281.00
88" HIGH	305.088	300.088	305.088	312.088	30	-	88	30.5	\$220.00
	365.088**	360.088**	365.088**	372.088**	36	-	88	36.2	\$220.00
	400.088	393.088	400.088	405.088	39	-	88	39.3	\$235.00
	425.088	420.088	425.088	432.088	42	-	88	41.8	\$258.00
	485.088	480.088	485.088	492.088	48	-	88	63.2	\$294.00
91" HIGH	305.091	300.091	305.091	312.091	30	-	91	33.4	\$241.00
	365.091	360.091	365.091	372.091	36	-	91	39.6	\$241.00
	400.091	393.091	400.091	405.091	39	-	91	43.1	\$261.00
	425.091	420.091	425.091	432.091	42	-	91	45.8	\$280.00
	485.091	480.091	485.091	492.091	48	-	91	69.4	\$322.00
97" HIGH	305.097	300.097	305.097	312.097	30	-	97	33.6	\$241.00
	365.097	360.097	365.097	372.097	36	-	97	39.8	\$241.00
	400.097	393.097	400.097	405.097	39	-	97	43.3	\$261.00
	425.097	420.097	425.097	432.097	42	-	97	46.0	\$280.00
	485.097	480.097	485.097	492.097	48	-	97	69.6	\$322.00

Single (QS.BPU)



Left (QS.BPL) Center (QS.BPC) Right (QS.BPR)



**Notes :**

\*\* Available on QuickShip program (see QuickShip tab)



Issued 06-01-2005

**SH/21**

# STEEL BACK PANELS

Double face

# SMARTSHELF

	CODE #	W	D	H	lbs	\$
76" HIGH	QS.FBP/300.076	30	-	76	26.5	\$192.00
	QS.FBP/360.076**	36	-	76	31.3	\$192.00
	QS.FBP/393.076	39	-	76	34.1	\$209.00
	QS.FBP/420.076	42	-	76	36.2	\$225.00
	QS.FBP/480.076	48	-	76	54.8	\$259.00
79" HIGH	QS.FBP/300.079	30	-	79	27.3	\$200.00
	QS.FBP/360.079	36	-	79	33.1	\$200.00
	QS.FBP/393.079	39	-	79	36.0	\$214.00
	QS.FBP/420.079	42	-	79	37.8	\$235.00
	QS.FBP/480.079	48	-	79	57.8	\$269.00
85" HIGH	QS.FBP/300.085	30	-	85	29.5	\$210.00
	QS.FBP/360.085**	36	-	85	35.0	\$210.00
	QS.FBP/393.085	39	-	85	38.0	\$219.00
	QS.FBP/420.085	42	-	85	40.4	\$247.00
	QS.FBP/480.085	48	-	85	61.1	\$281.00
88" HIGH	QS.FBP/300.088	30	-	88	30.5	\$220.00
	QS.FBP/360.088**	36	-	88	36.2	\$220.00
	QS.FBP/393.088	39	-	88	39.3	\$235.00
	QS.FBP/420.088	42	-	88	41.8	\$258.00
	QS.FBP/480.088	48	-	88	63.2	\$294.00
91" HIGH	QS.FBP/300.091	30	-	91	33.4	\$241.00
	QS.FBP/360.091	36	-	91	39.6	\$241.00
	QS.FBP/393.091	39	-	91	43.1	\$261.00
	QS.FBP/420.091	42	-	91	45.8	\$280.00
	QS.FBP/480.091	48	-	91	69.4	\$322.00
97" HIGH	QS.FBP/300.097	30	-	97	33.6	\$241.00
	QS.FBP/360.097	36	-	97	39.8	\$241.00
	QS.FBP/393.097	39	-	97	43.3	\$261.00
	QS.FBP/420.097	42	-	97	46.0	\$280.00
	QS.FBP/480.097	48	-	97	69.6	\$322.00



**Notes :**  
 \*\* Available on QuickShip program (see **QuickShip** tab)

# SH/22

Issued 06-01-2005

**MONTEL AETNASTAK**

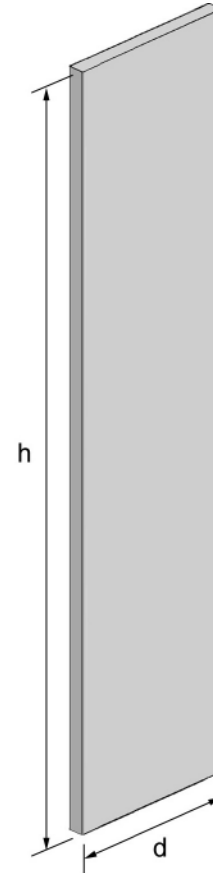
**GSA** Schedule  
 Contract GS-28F-8817M

# STEEL & TEXTURED STEEL FRONT OR END PANELS

Single face

# SMARTSHELF

	CODE #	W	D	H	lbs	\$	
						Plain	Textured
76" HIGH	QS.EP/102.076	-	10	76	12.8	\$135.00	\$156.00
	QS.EP/122.076**	-	12	76	14.5	\$139.00	\$162.00
	QS.EP/152.076**	-	15	76	17.0	\$144.00	\$171.00
	QS.EP/162.076	-	16	76	17.8	\$146.00	\$174.00
	QS.EP/182.076	-	18	76	19.5	\$156.00	\$187.00
	QS.EP/242.076	-	24	76	24.6	\$168.00	\$205.00
79" HIGH	QS.EP/102.079	-	10	79	13.3	\$136.00	\$158.00
	QS.EP/122.079	-	12	79	15.2	\$140.00	\$165.00
	QS.EP/152.079	-	15	79	17.9	\$147.00	\$174.00
	QS.EP/162.079	-	16	79	18.8	\$149.00	\$178.00
	QS.EP/182.079	-	18	79	20.5	\$157.00	\$191.00
	QS.EP/242.079	-	24	79	25.8	\$171.00	\$210.00
85" HIGH	QS.EP/102.085	-	10	85	14.3	\$138.00	\$161.00
	QS.EP/122.085**	-	12	85	16.1	\$142.00	\$168.00
	QS.EP/152.085**	-	15	85	18.9	\$149.00	\$178.00
	QS.EP/162.085	-	16	85	19.8	\$151.00	\$182.00
	QS.EP/182.085	-	18	85	21.7	\$161.00	\$195.00
	QS.EP/242.085	-	24	85	27.3	\$174.00	\$215.00
88" HIGH	QS.EP/102.088	-	10	88	14.7	\$139.00	\$163.00
	QS.EP/122.088**	-	12	88	16.7	\$144.00	\$170.00
	QS.EP/152.088**	-	15	88	19.6	\$150.00	\$180.00
	QS.EP/162.088	-	16	88	20.5	\$152.00	\$184.00
	QS.EP/182.088	-	18	88	22.4	\$163.00	\$197.00
	QS.EP/242.088	-	24	88	28.2	\$176.00	\$218.00



**Notes :**

- Add "T" to the code for textured steel. Ex. : QS.EPT/102.088
- \*\* Available on QuickShip program (see QuickShip tab)



Issued 06-01-2005

# SH/23

# STEEL & TEXTURED STEEL FRONT OR END PANELS

Single face

# SMARTSHELF

91" HIGH

97" HIGH

CODE #	W	D	H	lbs	\$ Plain	\$ Textured
QS.EP/102.091	-	10	91	16.0	\$143.00	\$168.00
QS.EP/122.091	-	12	91	18.1	\$147.00	\$176.00
QS.EP/152.091	-	15	91	21.3	\$155.00	\$187.00
QS.EP/162.091	-	16	91	22.3	\$157.00	\$191.00
QS.EP/182.091	-	18	91	23.0	\$168.00	\$205.00
QS.EP/242.091	-	24	91	30.8	\$182.00	\$228.00
QS.EP/102.097	-	10	97	16.2	\$143.00	\$168.00
QS.EP/122.097	-	12	97	18.3	\$147.00	\$176.00
QS.EP/152.097	-	15	97	21.5	\$155.00	\$187.00
QS.EP/162.097	-	16	97	22.5	\$157.00	\$191.00
QS.EP/182.097	-	18	97	24.6	\$168.00	\$205.00
QS.EP/242.097	-	24	97	31.0	\$182.00	\$228.00



**Notes :**

- Add "T" to the code for textured steel. Ex. : QS.EPT/102.088
- \*\* Available on QuickShip program (see QuickShip tab)

# SH/24

Issued 06-01-2005

**MONTEL AETNASTAK**

**GSA**

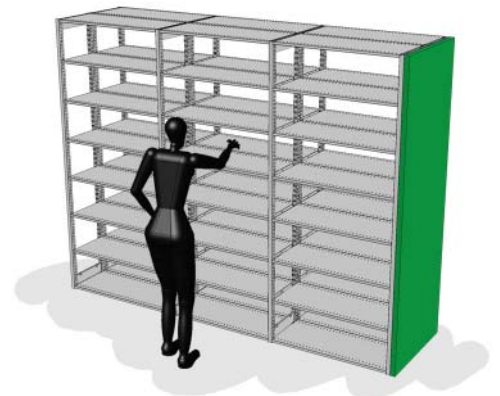
Schedule  
Contract GS-28F-0017M

# STEEL & TEXTURED STEEL FRONT OR END PANELS

# SMARTSHELF

Double face

	CODE #	W	D	H	lbs	\$	
						Plain	Textured
76" HIGH	QS.EP/202.076	-	20	76	21.2	\$160.00	\$193.00
	QS.EP/242.076	-	24	76	24.6	\$168.00	\$205.00
	QS.EP/302.076	-	30	76	29.6	\$179.00	\$223.00
	QS.EP/322.076	-	32	76	31.3	\$183.00	\$229.00
	QS.EP/362.076	-	36	76	34.6	\$191.00	\$241.00
	QS.EP/482.076	-	48	76	59.5	\$241.00	-
79" HIGH	QS.EP/202.079	-	20	79	22.3	\$162.00	\$198.00
	QS.EP/242.079	-	24	79	25.8	\$171.00	\$210.00
	QS.EP/302.079	-	30	79	31.2	\$182.00	\$230.00
	QS.EP/322.079	-	32	79	33.0	\$187.00	\$236.00
	QS.EP/362.079	-	36	79	36.4	\$195.00	\$248.00
	QS.EP/482.079	-	48	79	62.8	\$249.00	-
85" HIGH	QS.EP/202.085	-	20	85	23.6	\$166.00	\$201.00
	QS.EP/242.085	-	24	85	27.3	\$174.00	\$215.00
	QS.EP/302.085	-	30	85	32.9	\$187.00	\$235.00
	QS.EP/322.085	-	32	85	34.8	\$191.00	\$242.00
	QS.EP/362.085	-	36	85	38.5	\$200.00	\$255.00
	QS.EP/482.085	-	48	85	66.1	\$256.00	-
88" HIGH	QS.EP/202.088	-	20	88	24.4	\$167.00	\$204.00
	QS.EP/242.088	-	24	88	28.2	\$176.00	\$218.00
	QS.EP/302.088	-	30	88	34.0	\$189.00	\$239.00
	QS.EP/322.088	-	32	88	35.9	\$194.00	\$246.00
	QS.EP/362.088	-	36	88	39.8	\$203.00	\$260.00
	QS.EP/482.088	-	48	88	68.3	\$260.00	-



**Notes :**

- Add "T" to the code for textured steel. Ex. : QS.EPT/202.088
- \*\* Available on QuickShip program (see **QuickShip** tab)



Issued 06-01-2005

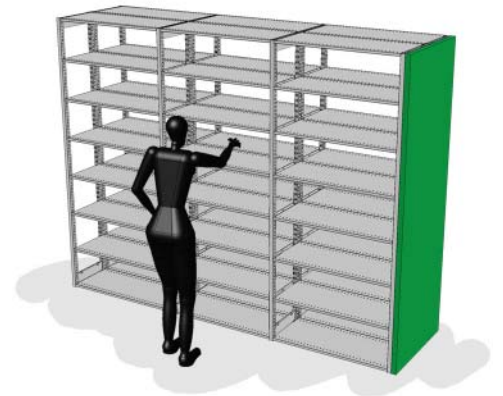
**SH/25**

# STEEL & TEXTURED STEEL FRONT OR END PANELS

Double face

# SMARTSHELF

CODE #	W	D	H	lbs	\$	\$	
					Plain	Textured	
91" HIGH	QS.EP/202.091	-	20	91	26.5	\$173.00	\$213.00
	QS.EP/242.091	-	24	91	30.8	\$182.00	\$228.00
	QS.EP/302.091	-	30	91	37.1	\$197.00	\$251.00
	QS.EP/322.091	-	32	91	39.2	\$202.00	\$259.00
	QS.EP/362.091	-	36	91	43.5	\$220.00	\$274.00
	QS.EP/482.091	-	48	91	74.8	\$275.00	-
97" HIGH	QS.EP/202.097	-	20	97	26.7	\$173.00	\$213.00
	QS.EP/242.097	-	24	97	31.0	\$182.00	\$228.00
	QS.EP/302.097	-	30	97	37.3	\$197.00	\$251.00
	QS.EP/322.097	-	32	97	39.4	\$202.00	\$259.00
	QS.EP/362.097	-	36	97	43.7	\$220.00	\$274.00
	QS.EP/482.097	-	48	97	75.0	\$275.00	-



**Notes :**

- Add "T" to the code for textured steel. Ex. : QS.EPT/202.088
- \*\* Available on QuickShip program (see QuickShip tab)

# SH/26

Issued 06-01-2005

**MONTEL AETNASTAK**

**GSA**

Schedule  
Contract GS-28F-0017M

**SHELF ASSEMBLY DESCRIPTION**

- 4-bend 3/4" thick shelf
- 18 gauge
- Up to 48" wide by 24" deep
- 4 aluminium hooks & necessary reinforcements included in shelf assembly
- Reinforcements for top canopy shelf not included
- 6" high end dividers are included in QSC & QSF shelves
- Shelf backstop is included in QSC & QSF shelves

**SHELF ASSEMBLY CODIFICATION**

**QS 36 15 S H A**

**Shelf Type**

- **"QS"** : "Plain" (non-slotted shelf)
- **"QSS"** : Slotted shelf
- **"QSF"** : Plain box shelf  
(with dividers and shelf backstop)
- **"QSC"** : Slotted box shelf  
(with dividers and shelf backstop)
- **"QST"** : Top shelf

**Length**

Length of one section of shelving  
(center to center distance between  
upright frames)

**Depth**

Depth of the shelving (depth of  
shelves and upright frames)

**Assembly**

**Shelf Gauge**

**"H"** : 18 gauge hooked

**Shelving Type**

**"S"** : Single face shelf

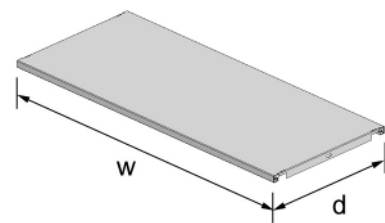
# PLAIN HOOKED SHELF ASSEMBLY KIT

Single face - 18 gauge

# SMARTSHELF

30" WIDE

CODE #	W	D	r *	lbs	\$
QS3008SHA	30	8	-	4.7	\$17.70
QS3009SHA	30	9	-	5.1	\$18.60
QS3010SHA	30	10	-	5.6	\$19.60
QS3012SHA	30	12	-	6.4	\$21.50
QS3013SHA	30	13	-	6.8	\$22.40
QS3015SHA	30	15	-	7.6	\$24.30
QS3016SHA	30	16	-	8.1	\$25.20
QS3018SHA	30	18	-	8.9	\$27.10
QS3024SHA	30	24	-	11.4	\$32.80



36" WIDE

QS3608SHA	36	8	-	5.7	\$19.80
QS3609SHA	36	9	-	6.2	\$20.90
QS3610SHA	36	10	-	6.7	\$22.10
QS3612SHA**	36	12	-	7.7	\$24.30
QS3613SHA	36	13	-	8.2	\$25.50
QS3615SHA**	36	15	-	9.2	\$27.70
QS3616SHA	36	16	-	9.7	\$28.90
QS3618SHA	36	18	-	10.7	\$31.10
QS3624SHA	36	24	-	13.7	\$38.00

39 3/8" WIDE

QS3908SHA	39	8	-	6.2	\$21.00
QS3909SHA	39	9	-	6.8	\$22.20
QS3910SHA	39	10	-	7.3	\$23.50
QS3912SHA	39	12	-	8.4	\$25.90
QS3913SHA	39	13	-	8.9	\$27.20
QS3915SHA	39	15	-	12.4	\$42.80
QS3916SHA	39	16	-	13.0	\$44.00
QS3918SHA	39	18	-	14.1	\$46.40
QS3924SHA	39	24	-	17.4	\$53.50

**Notes :**

- 4-bend 3/4" thick shelf
- 18 gauge
- 4 aluminium hooks and necessary reinforcements included

r\* Quantity of shelf reinforcements included per assembly  
 \*\* Available on QuickShip program (see **QuickShip** tab)

# SH/28

Issued 06-01-2005

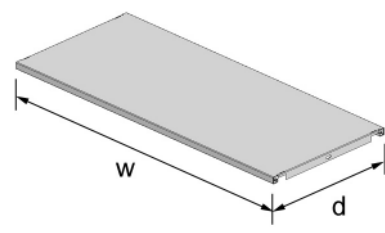
**MONTEL AETNASTAK**  
**GSA Schedule**  
 Contract GS-28F-0017M

# PLAIN HOOKED SHELF ASSEMBLY KIT

Single face - 18 gauge

# SMARTSHELF

	CODE #	W	D	r*	lbs	\$
42" WIDE	QS4208SHA	42	8	-	6.6	\$21.90
	QS4209SHA	42	9	-	7.2	\$23.20
	QS4210SHA	42	10	-	7.8	\$24.60
	QS4212SHA	42	12	-	11.2	\$40.30
	QS4213SHA	42	13	-	11.8	\$41.50
	QS4215SHA	42	15	-	13.0	\$44.10
	QS4216SHA	42	16	-	13.6	\$45.30
	QS4218SHA	42	18	-	14.7	\$47.80
	QS4224SHA	42	24	1	18.2	\$55.40
48" WIDE4	QS4808SHA	48	8	-	7.6	\$24.00
	QS4809SHA	48	9	-	8.2	\$25.60
	QS4810SHA	48	10	-	11.6	\$40.90
	QS4812SHA	48	12	1	12.9	\$43.80
	QS4813SHA	48	13	1	13.6	\$45.30
	QS4815SHA	48	15	1	14.9	\$48.10
	QS4816SHA	48	16	1	15.6	\$49.60
	QS4818SHA	48	18	1	16.9	\$52.50
	QS4824SHA	48	24	2	20.9	\$61.10



**Notes :**

- 4-bend 3/4" thick shelf
- 18 gauge
- 4 aluminium hooks and necessary reinforcements included
- r\* Quantity of shelf reinforcements included per assembly
- \*\* Available on QuickShip program (see **QuickShip** tab)



Issued 06-01-2005

# SH/29

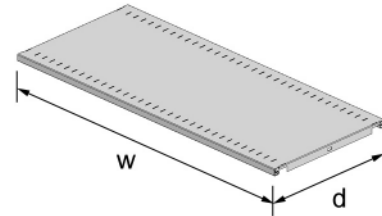
# SLOTTED HOOKED SHELF ASSEMBLY KIT

Single face - 18 gauge

# SMARTSHELF

30" WIDE

CODE #	W	D	r *	lbs	\$
QSS3008SHA	30	8	-	4.7	\$18.00
QSS3009SHA	30	9	-	5.1	\$19.00
QSS3010SHA	30	10	-	5.6	\$19.90
QSS3012SHA	30	12	-	6.4	\$21.80
QSS3013SHA	30	13	-	6.8	\$22.80
QSS3015SHA	30	15	-	7.6	\$24.70
QSS3016SHA	30	16	-	8.1	\$25.60
QSS3018SHA	30	18	-	8.9	\$27.50
QSS3024SHA	30	24	-	11.4	\$33.20



36" WIDE

QSS3608SHA	36	8	-	5.7	\$20.10
QSS3609SHA	36	9	-	6.2	\$21.30
QSS3610SHA	36	10	-	6.7	\$22.40
QSS3612SHA**	36	12	-	7.7	\$24.70
QSS3613SHA	36	13	-	8.2	\$25.80
QSS3615SHA**	36	15	-	9.2	\$28.10
QSS3616SHA	36	16	-	9.7	\$29.20
QSS3618SHA	36	18	-	10.7	\$31.50
QSS3624SHA	36	24	-	13.7	\$38.30

39 3/8" WIDE

QSS3908SHA	39	8	-	6.2	\$21.30
QSS3909SHA	39	9	-	6.8	\$22.60
QSS3910SHA	39	10	-	7.3	\$23.80
QSS3912SHA	39	12	-	8.4	\$26.30
QSS3913SHA	39	13	-	8.9	\$27.50
QSS3915SHA	39	15	-	10.0	\$30.00
QSS3916SHA	39	16	-	13.0	\$44.40
QSS3918SHA	39	18	-	14.1	\$46.80
QSS3924SHA	39	24	-	17.4	\$53.90

### Notes :

- 4-bend 3/4" thick shelf
  - 18 gauge
  - 4 aluminium hooks and necessary reinforcements included
- r\* Quantity of shelf reinforcements included per assembly  
 \*\* Available on QuickShip program (see **QuickShip** tab)

# SH/30

Issued 06-01-2005

**MONTEL AETNASTAK**

**GSA** Schedule  
 Contract GS-28F-0017M

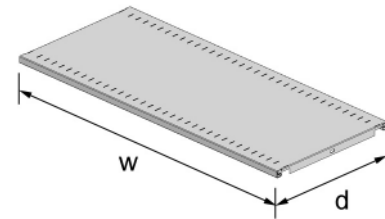
# SLOTTED HOOKED SHELF ASSEMBLY KIT

Single face - 18 gauge

# SMARTSHELF

42" WIDE

CODE #	W	D	r *	lbs	\$
QSS4208SHA	42	8	-	6.6	\$22.30
QSS4209SHA	42	9	-	7.2	\$23.60
QSS4210SHA	42	10	-	7.8	\$24.90
QSS4212SHA	42	12	-	11.2	\$40.60
QSS4213SHA	42	13	-	11.8	\$41.90
QSS4215SHA	42	15	-	13.0	\$44.40
QSS4216SHA	42	16	-	13.6	\$45.70
QSS4218SHA	42	18	-	14.7	\$48.20
QSS4224SHA	42	24	1	18.2	\$55.80



48" WIDE

QSS4808SHA	48	8	-	7.6	\$24.40
QSS4809SHA	48	9	-	8.2	\$25.90
QSS4810SHA	48	10	-	11.6	\$41.30
QSS4812SHA	48	12	1	12.9	\$44.20
QSS4813SHA	48	13	1	13.6	\$45.60
QSS4815SHA	48	15	1	14.9	\$48.50
QSS4816SHA	48	16	1	15.6	\$50.00
QSS4818SHA	48	18	1	16.9	\$52.80
QSS4824SHA	48	24	2	20.9	\$61.50

**Notes :**

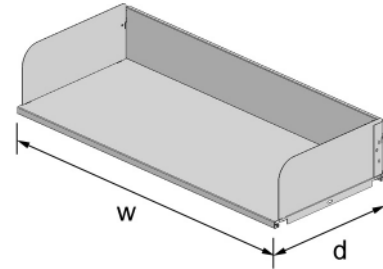
- 4-bend 3/4" thick shelf
- 18 gauge
- 4 aluminium hooks and necessary reinforcements included
- r\* Quantity of shelf reinforcements included per assembly
- \*\* Available on QuickShip program (see **QuickShip** tab)

# PLAIN HOOKED BOX SHELF ASSEMBLY KIT

Single face - 18 gauge

# SMARTSHELF

CODE #	W	D	r*	lbs	\$
QSF3008SHA	30	8	-	7.7	\$33.90
QSF3009SHA	30	9	-	8.2	\$32.80
QSF3010SHA	30	10	-	8.8	\$34.10
QSF3012SHA	30	12	-	9.9	\$36.90
QSF3013SHA	30	13	-	10.4	\$38.20
QSF3015SHA	30	15	-	11.5	\$41.20
QSF3016SHA	30	16	-	12.1	\$42.50
QSF3018SHA	30	18	-	13.2	\$46.40
QSF3024SHA	30	24	-	16.5	\$54.50
<b>30" WIDE</b>					
QSF3608SHA	36	8	-	9.0	\$36.80
QSF3609SHA	36	9	-	9.6	\$35.90
QSF3610SHA	36	10	-	10.3	\$37.30
QSF3612SHA	36	12	-	11.5	\$40.60
QSF3613SHA	36	13	-	12.2	\$42.00
QSF3615SHA	36	15	-	13.5	\$45.30
QSF3616SHA	36	16	-	14.1	\$46.80
QSF3618SHA	36	18	-	15.4	\$51.10
QSF3624SHA	36	24	-	19.2	\$60.20
<b>36" WIDE</b>					
QSF3908SHA	39	8	-	9.7	\$38.40
QSF3909SHA	39	9	-	10.4	\$37.60
QSF3910SHA	39	10	-	11.1	\$39.20
QSF3912SHA	39	12	-	12.5	\$42.60
QSF3913SHA	39	13	-	13.2	\$44.20
QSF3915SHA	39	15	-	16.9	\$62.50
QSF3916SHA	39	16	-	17.6	\$64.10
QSF3918SHA	39	18	-	19.0	\$68.60
QSF3924SHA	39	24	-	23.1	\$78.30
<b>39 3/8" WIDE</b>					



### Notes :

- 4-bend 3/4" thick shelf
  - 18 gauge
  - 4 aluminium hooks and necessary reinforcements included
  - Two 6" high end dividers included
  - 5 1/2" high plain backstop included
- r\* Quantity of shelf reinforcements included per assembly

# SH/32

Issued 06-01-2005

**MONTEL AETNASTAK**

**GSA** Schedule  
Contract GS-28F-0017M

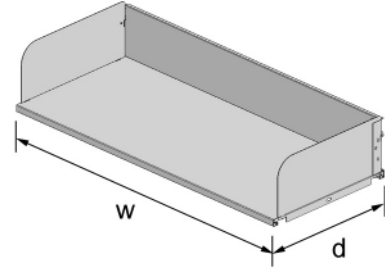
# PLAIN HOOKED BOX SHELF ASSEMBLY KIT

Single face - 18 gauge

# SMARTSHELF

42" WIDE

CODE #	W	D	r*	lbs	\$
QSF4208SHA	42	8	-	10.3	\$39.70
QSF4209SHA	42	9	-	11.0	\$39.00
QSF4210SHA	42	10	-	11.8	\$40.60
QSF4212SHA	42	12	-	15.5	\$58.80
QSF4213SHA	42	13	-	16.2	\$60.40
QSF4215SHA	42	15	-	17.6	\$64.10
QSF4216SHA	42	16	-	18.4	\$65.80
QSF4218SHA	42	18	-	19.8	\$70.40
QSF4224SHA	42	24	1	24.1	\$80.60



48" WIDE

QSF4808SHA	48	8	-	11.7	\$42.60
QSF4809SHA	48	9	-	12.5	\$42.00
QSF4810SHA	48	10	-	15.9	\$59.30
QSF4812SHA	48	12	1	17.5	\$63.20
QSF4813SHA	48	13	1	18.3	\$65.10
QSF4815SHA	48	15	1	19.9	\$69.10
QSF4816SHA	48	16	1	20.7	\$70.90
QSF4818SHA	48	18	1	22.4	\$75.90
QSF4824SHA	48	24	2	27.2	\$87.20

**Notes :**

- 4-bend 3/4" thick shelf
- 18 gauge
- 4 aluminium hooks and necessary reinforcements included
- Two 6" high end dividers included
- 5 1/2" high plain backstop included
- r\* Quantity of shelf reinforcements included per assembly



Issued 06-01-2005

# SH/33

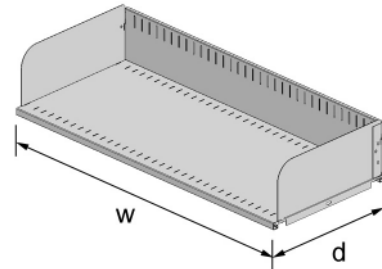
# SLOTTED HOOKED BOX SHELF ASSEMBLY KIT

Single face - 18 gauge

# SMARTSHELF

30" WIDE

CODE #	W	D	r*	lbs	\$
QSC3008SHA	30	8	-	7.7	\$34.60
QSC3009SHA	30	9	-	8.2	\$35.60
QSC3010SHA	30	10	-	8.8	\$37.10
QSC3012SHA	30	12	-	9.9	\$40.20
QSC3013SHA	30	13	-	10.4	\$41.60
QSC3015SHA	30	15	-	11.5	\$44.10
QSC3016SHA	30	16	-	12.1	\$45.80
QSC3018SHA	30	18	-	13.2	\$49.30
QSC3024SHA	30	24	-	16.5	\$57.60



36" WIDE

QSC3608SHA	36	8	-	9.0	\$37.60
QSC3609SHA	36	9	-	9.6	\$38.80
QSC3610SHA	36	10	-	10.3	\$40.50
QSC3612SHA	36	12	-	11.5	\$44.00
QSC3613SHA	36	13	-	12.2	\$45.50
QSC3615SHA	36	15	-	13.5	\$48.40
QSC3616SHA	36	16	-	14.1	\$50.30
QSC3618SHA	36	18	-	15.4	\$54.20
QSC3624SHA	36	24	-	19.2	\$63.60

39 3/8" WIDE

QSC3908SHA	39	8	-	9.7	\$39.30
QSC3909SHA	39	9	-	10.4	\$40.60
QSC3910SHA	39	10	-	11.1	\$42.40
QSC3912SHA	39	12	-	12.5	\$46.10
QSC3913SHA	39	13	-	13.2	\$47.70
QSC3915SHA	39	15	-	14.5	\$50.80
QSC3916SHA	39	16	-	17.6	\$65.60
QSC3918SHA	39	18	-	16.6	\$57.00
QSC3924SHA	39	24	-	23.1	\$79.80

**Notes :**

- 4-bend 3/4" thick shelf
  - 18 gauge
  - 4 aluminium hooks and necessary reinforcements included
  - Two 6" high end dividers included
  - 5 1/2" high slotted backstop included
- r\* Quantity of shelf reinforcements included per assembly

# SH/34

Issued 06-01-2005

**MONTEL AETNASTAK**

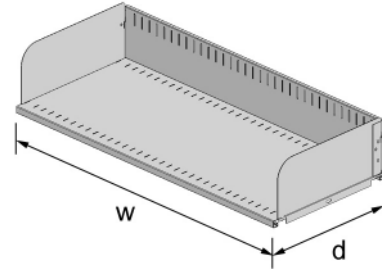
**GSA** Schedule  
Contract GS-28F-0017M

# SLOTTED HOOKED BOX SHELF ASSEMBLY KIT

Single face - 18 gauge

# SMARTSHELF

CODE #	W	D	r*	lbs	\$
QSC4208SHA	42	8	-	10.3	<b>\$40.70</b>
QSC4209SHA	42	9	-	11.0	<b>\$42.00</b>
QSC4210SHA	42	10	-	11.8	<b>\$43.90</b>
QSC4212SHA	42	12	-	15.5	<b>\$60.30</b>
QSC4213SHA	42	13	-	16.2	<b>\$62.00</b>
QSC4215SHA	42	15	-	17.6	<b>\$65.60</b>
QSC4216SHA	42	16	-	18.4	<b>\$67.30</b>
QSC4218SHA	42	18	-	19.8	<b>\$71.90</b>
QSC4224SHA	42	24	1	24.1	<b>\$82.10</b>
<b>42" WIDE</b>					
QSC4808SHA	48	8	-	11.7	<b>\$43.70</b>
QSC4809SHA	48	9	-	12.5	<b>\$45.20</b>
QSC4810SHA	48	10	-	15.9	<b>\$60.90</b>
QSC4812SHA	48	12	1	17.5	<b>\$64.80</b>
QSC4813SHA	48	13	1	18.3	<b>\$66.60</b>
QSC4815SHA	48	15	1	19.9	<b>\$70.60</b>
QSC4816SHA	48	16	1	20.7	<b>\$72.40</b>
QSC4818SHA	48	18	1	22.4	<b>\$64.00</b>
QSC4824SHA	48	24	2	27.2	<b>\$88.70</b>
<b>48" WIDE</b>					



**Notes :**

- 4-bend 3/4" thick shelf
- 18 gauge
- 4 aluminium hooks and necessary reinforcements included
- Two 6" high end dividers included
- 5 1/2" high slotted backstop included
- r\* Quantity of shelf reinforcements included per assembly

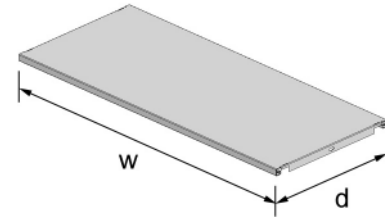
# TOP HOOKED (CANOPY) SHELF ASSEMBLY KIT

Single face - 18 gauge

# SMARTSHELF

24" WIDE

CODE #	W	D	r *	lbs	\$
QST3008SHA	30	8	-	4.7	\$17.70
QST3009SHA	30	9	-	5.1	\$18.60
QST3010SHA	30	10	-	5.6	\$19.60
QST3012SHA	30	12	-	6.4	\$21.50
QST3013SHA	30	13	-	6.8	\$22.40
QST3015SHA	30	15	-	7.6	\$24.30
QST3016SHA	30	16	-	8.1	\$25.20
QST3018SHA	30	18	-	8.9	\$27.10
QST3024SHA	30	24	-	11.4	\$32.80



36" WIDE

QST3608SHA	36	8	-	5.7	\$19.80
QST3609SHA	36	9	-	6.2	\$20.90
QST3610SHA	36	10	-	6.7	\$22.10
QST3612SHA**	36	12	-	7.7	\$24.30
QST3613SHA	36	13	-	8.2	\$25.50
QST3615SHA**	36	15	-	9.2	\$27.70
QST3616SHA	36	16	-	9.7	\$28.90
QST3618SHA	36	18	-	10.7	\$31.10
QST3624SHA	36	24	-	13.7	\$38.00

39 3/8" WIDE

QST3908SHA	39	8	-	6.2	\$21.00
QST3909SHA	39	9	-	6.8	\$22.20
QST3910SHA	39	10	-	7.3	\$23.50
QST3912SHA	39	12	-	8.4	\$25.90
QST3913SHA	39	13	-	8.9	\$27.20
QST3915SHA	39	15	-	12.4	\$42.80
QST3916SHA	39	16	-	13.0	\$44.00
QST3918SHA	39	18	-	14.1	\$46.40
QST3924SHA	39	24	-	17.4	\$53.50

**Notes :**

- 4-bend 3/4" thick shelf
- 18 gauge
- 4 aluminium hooks included
- Reinforcement not included
- \*\* Available on QuickShip program (see **QuickShip** tab)

# SH/36

Issued 06-01-2005

**MONTEL AETNASTAK**

**GSA** Schedule  
Contract GS-28F-0017M

# TOP HOOKED (CANOPY) SHELF ASSEMBLY KIT

Single face - 18 gauge

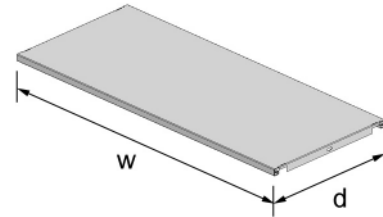
# SMARTSHELF

CODE #	W	D	r *	lbs	\$
QST4208SHA	42	8	-	6.6	\$21.90
QST4209SHA	42	9	-	7.2	\$23.20
QST4210SHA	42	10	-	7.8	\$24.60
QST4212SHA	42	12	-	11.2	\$40.30
QST4213SHA	42	13	-	11.8	\$41.50
QST4215SHA	42	15	-	13.0	\$44.10
QST4216SHA	42	16	-	13.6	\$45.30
QST4218SHA	42	18	-	14.7	\$47.80
QST4224SHA	42	24	-	18.2	\$55.40

42" WIDE

QST4808SHA	48	8	-	7.6	\$24.00
QST4809SHA	48	9	-	8.2	\$25.60
QST4810SHA	48	10	-	11.6	\$40.90
QST4812SHA	48	12	-	12.9	\$43.80
QST4813SHA	48	13	-	13.6	\$45.30
QST4815SHA	48	15	-	14.9	\$48.10
QST4816SHA	48	16	-	15.6	\$49.60
QST4818SHA	48	18	-	16.9	\$52.50
QST4824SHA	48	24	-	20.9	\$61.10

48" WIDE



### Notes :

- 4-bend 3/4" thick shelf
- 18 gauge
- 4 aluminium hooks included
- Reinforcement not included
- \*\* Available on QuickShip program (see **QuickShip** tab)

CODE #                      W   D   H      lbs                      \$

**PLAIN BACKSTOP (for single face section)**

QS.SBSNS/30	30	3/8	5 1/2	1.9	<b>\$10.20</b>
QS.SBSNS/36**	36	3/8	5 1/2	2.3	<b>\$11.10</b>
QS.SBSNS/39	39	3/8	5 1/2	2.5	<b>\$11.60</b>
QS.SBSNS/42	42	3/8	5 1/2	2.6	<b>\$12.00</b>
QS.SBSNS/48	48	3/8	5 1/2	3.0	<b>\$12.90</b>

**SLOTTED BACKSTOP (for single face section)**

QS.SBS/30	30	3/8	5 1/2	1.9	<b>\$10.40</b>
QS.SBS/36**	36	3/8	5 1/2	2.3	<b>\$11.30</b>
QS.SBS/39	39	3/8	5 1/2	2.5	<b>\$11.80</b>
QS.SBS/42	42	3/8	5 1/2	2.6	<b>\$12.20</b>
QS.SBS/48	48	3/8	5 1/2	3.0	<b>\$13.10</b>

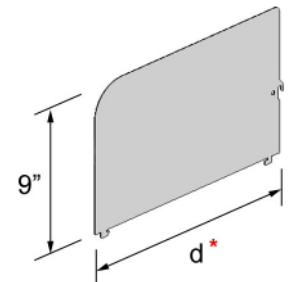
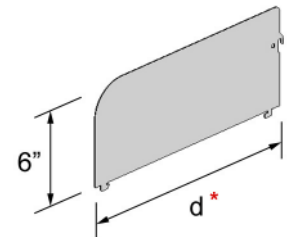
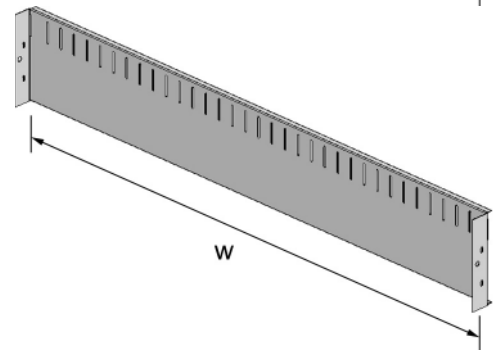
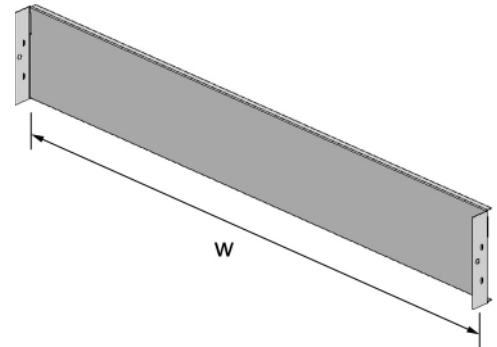
• Only one backstop or centerstop per shelf (if required)

**DIVIDER**

QS.DIV6/8	-	8	6	0.4	<b>\$2.80</b>
QS.DIV6/9	-	9	6	0.5	<b>\$2.80</b>
QS.DIV6/10	-	10	6	0.6	<b>\$2.90</b>
QS.DIV6/12**	-	12	6	0.7	<b>\$3.00</b>
QS.DIV6/13	-	13	6	0.8	<b>\$3.25</b>
QS.DIV6/15**	-	15	6	0.9	<b>\$3.50</b>
QS.DIV6/16	-	16	6	1.0	<b>\$3.80</b>
QS.DIV6/18	-	18	6	1.1	<b>\$4.25</b>
QS.DIV6/24	-	24	6	1.5	<b>\$5.50</b>

QS.DIV9/8	-	8	9	0.6	<b>\$3.00</b>
QS.DIV9/9	-	9	9	0.7	<b>\$3.00</b>
QS.DIV9/10	-	10	9	0.8	<b>\$3.20</b>
QS.DIV9/12	-	12	9	0.9	<b>\$3.50</b>
QS.DIV9/13	-	13	9	1.0	<b>\$3.75</b>
QS.DIV9/15	-	15	9	1.2	<b>\$4.00</b>
QS.DIV9/16	-	16	9	1.3	<b>\$4.25</b>
QS.DIV9/18	-	18	9	1.5	<b>\$4.75</b>
QS.DIV9/24	-	24	9	2.0	<b>\$5.50</b>

• Actual depth of divider is 1" less than the actual shelf depth. Ex. : **15" shelf = 14" divider**



SH/38

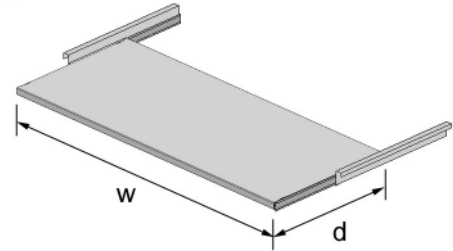
**Notes :**

\*\* Available on QuickShip program (see **QuickShip** tab)

CODE #                      W   D   H           lbs           \$

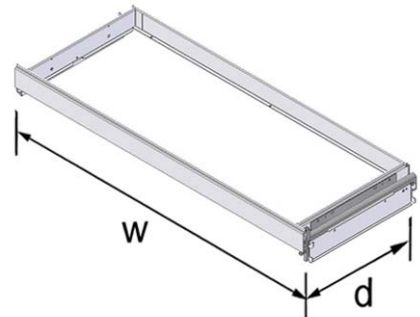
**SLIDING REFERENCE SHELF**

QS.BREH2412	24	12	-	9.6	<b>\$95.70</b>
QS.BREH2415	24	15	-	12.0	<b>\$103.00</b>
QS.BREH3012**	30	12	-	12.0	<b>\$101.00</b>
QS.BREH3015**	30	15	-	15.0	<b>\$106.00</b>



**SLIDING FRAME FOR PENDAFLEX**

QS.TP/30.13	30	13	-	9.3	<b>\$228.00</b>
QS.TP/30.16	30	16	-	9.7	<b>\$235.00</b>
QS.TP/36.13	36	13	-	10.0	<b>\$229.00</b>
QS.TP/36.16	36	16	-	10.4	<b>\$237.00</b>
QS.TP/39.13	39	13	-	10.5	<b>\$230.00</b>
QS.TP/39.16	39	16	-	10.9	<b>\$238.00</b>
QS.TP/42.13	42	13	-	10.8	<b>\$232.00</b>
QS.TP/42.16	42	16	-	11.2	<b>\$239.00</b>
QS.TP/48.13	48	13	-	11.5	<b>\$234.00</b>
QS.TP/48.16	48	16	-	11.9	<b>\$241.00</b>



- 13" deep sliding frame is required with 13" deep shelving
- 16" deep sliding frame is required with 16" deep shelving
- Front-to-back and side-to-side supports sold separately (see page **SH/45**)
- Sway brace are required for each section where drawers are needed (see page **SH/18**)

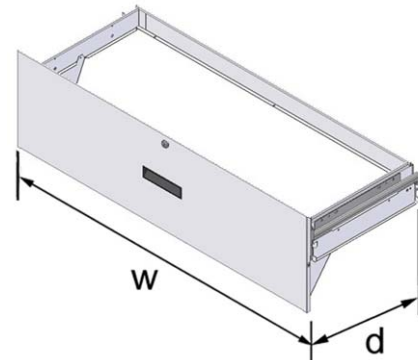
**Notes :**

\*\* Available on QuickShip program (see **QuickShip** tab)

CODE #                      W   D   H                      lbs                      \$

**SLIDING FRAME WITH DRAWER FRONT (KEYED DIFFERENT)**

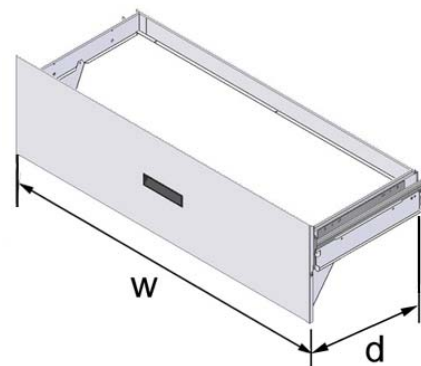
QS.TPFD/30.13	30	13	-	17.0	\$346.00
QS.TPFD/30.16	30	16	-	17.4	\$359.00
QS.TPFD/36.13	36	13	-	19.0	\$350.00
QS.TPFD/36.16	36	16	-	19.4	\$364.00
QS.TPFD/39.13	39	13	-	20.1	\$352.00
QS.TPFD/39.16	39	16	-	20.5	\$367.00
QS.TPFD/42.13	42	13	-	20.9	\$355.00
QS.TPFD/42.16	42	16	-	21.3	\$370.00
QS.TPFD/48.13	48	13	-	22.9	\$360.00
QS.TPFD/48.16	48	16	-	23.3	\$375.00



- If you want keyed alike, substitute "D" with "I" Ex. : **QS.TPFI/30.13**
- 13" deep sliding frame is required with 13" deep shelving
- 16" deep sliding frame is required with 16" deep shelving
- Front-to-back and side-to-side supports sold separately (see page **SH/45**)
- Sway brace are required for each section where drawers are needed (see page **SH/18**)

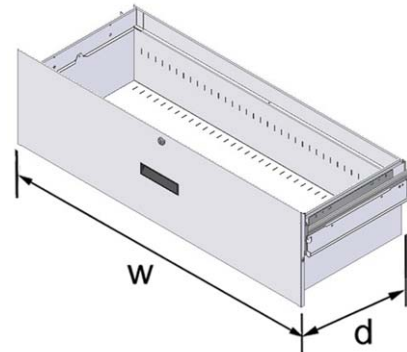
**SLIDING FRAME WITH DRAWER FRONT WITHOUT LOCK**

QS.TPFN/30.13	30	13	-	17.0	\$311.00
QS.TPFN/30.16	30	16	-	17.4	\$324.00
QS.TPFN/36.13	36	13	-	19.0	\$315.00
QS.TPFN/36.16	36	16	-	19.4	\$329.00
QS.TPFN/39.13	39	13	-	20.1	\$317.00
QS.TPFN/39.16	39	16	-	20.5	\$332.00
QS.TPFN/42.13	42	13	-	20.9	\$320.00
QS.TPFN/42.16	42	16	-	21.3	\$335.00
QS.TPFN/48.13	48	13	-	22.9	\$325.00
QS.TPFN/48.16	48	16	-	23.3	\$340.00



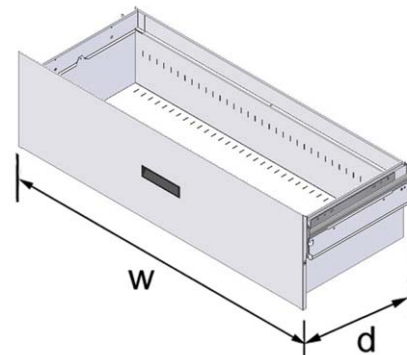
- 13" deep sliding frame is required with 13" deep shelving
- 16" deep sliding frame is required with 16" deep shelving
- Front-to-back and side-to-side supports sold separately (see page **SH/45**)
- Sway brace are required for each section where drawers are needed (see page **SH/18**)

CODE #	W	D	H	lbs	\$
<b>FILE DRAWER (KEYED DIFFERENT)</b>					
QS.TPFBD/30.13	30	13	-	28.8	\$420.00
QS.TPFBD/30.16	30	16	-	30.2	\$439.00
QS.TPFBD/36.13	36	13	-	32.6	\$429.00
QS.TPFBD/36.16	36	16	-	34.4	\$449.00
QS.TPFBD/39.13	39	13	-	34.8	\$434.00
QS.TPFBD/39.16	39	16	-	36.7	\$455.00
QS.TPFBD/42.13	42	13	-	36.5	\$440.00
QS.TPFBD/42.16	42	16	-	38.5	\$460.00
QS.TPFBD/48.13	48	13	-	40.4	\$449.00
QS.TPFBD/48.16	48	16	-	42.6	\$471.00

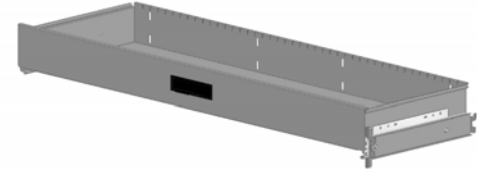


- If you want keyed alike, substitute "D" with "I" Ex. : **QS.TPFI/30.13**
- 13" deep file drawer is required with 13" deep shelving
- 16" deep file drawer is required with 16" deep shelving
- Front-to-back and side-to-side supports sold separately (see page **SH/45**)
- Sway brace are required for each section where drawers are needed (see page **SH/18**)

<b>FILE DRAWER WITHOUT LOCK</b>					
QS.TPFBN/30.13	30	13	-	28.8	\$385.00
QS.TPFBN/30.16	30	16	-	30.2	\$404.00
QS.TPFBN/36.13	36	13	-	32.6	\$394.00
QS.TPFBN/36.16	36	16	-	34.4	\$414.00
QS.TPFBN/39.13	39	13	-	34.8	\$400.00
QS.TPFBN/39.16	39	16	-	36.7	\$420.00
QS.TPFBN/42.13	42	13	-	36.5	\$405.00
QS.TPFBN/42.16	42	16	-	38.5	\$426.00
QS.TPFBN/48.13	48	13	-	40.4	\$415.00
QS.TPFBN/48.16	48	16	-	42.6	\$436.00



- 13" deep file drawer is required with 13" deep shelving
- 16" deep file drawer is required with 16" deep shelving
- Front-to-back and side-to-side supports sold separately (see page **SH/45**)
- Sway brace are required for each section where drawers are needed (see page **SH/18**)



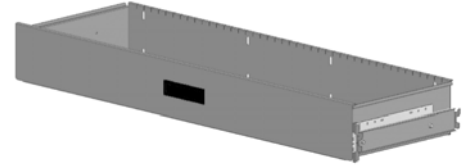
CODE #	W	D	H	lbs	\$	
<b>4" HIGH DRAWER</b>						
<b>30" WIDE</b>	QS.TM4/30.13	30	13	4	16.3	\$377.00
	QS.TM4/30.15	30	15	4	16.7	\$380.00
	QS.TM4/30.16	30	16	4	16.8	\$382.00
	QS.TM4/30.18	30	18	4	17.9	\$394.00
<b>36" WIDE</b>	QS.TM4/36.13	36	13	4	18.2	\$381.00
	QS.TM4/36.15	36	15	4	18.7	\$384.00
	QS.TM4/36.16	36	16	4	18.9	\$389.00
	QS.TM4/36.18	36	18	4	20.2	\$401.00
<b>39 3/8" WIDE</b>	QS.TM4/39.13	39	13	4	19.3	\$385.00
	QS.TM4/39.15	39	15	4	19.8	\$387.00
	QS.TM4/39.16	39	16	4	20.1	\$392.00
	QS.TM4/39.18	39	18	4	21.5	\$405.00
<b>42" WIDE</b>	QS.TM4/42.13	42	13	4	20.3	\$400.00
	QS.TM4/42.15	42	15	4	20.8	\$407.00
	QS.TM4/42.16	42	16	4	21.3	\$412.00
	QS.TM4/42.18	42	18	4	22.7	\$425.00
<b>48" WIDE</b>	QS.TM4/48.13	48	13	4	22.2	\$405.00
	QS.TM4/48.15	48	15	4	22.9	\$413.00
	QS.TM4/48.16	48	16	4	23.4	\$418.00
	QS.TM4/48.18	48	18	4	25.0	\$431.00

**Notes :**

- Front-to-back plain divider sold separately (see page SH/45)
- Sway brace are required for each section where drawers are needed (see page SH/18)

SH/42

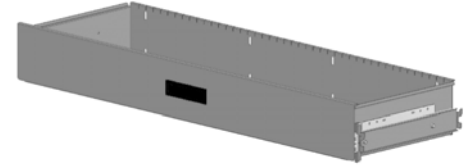
	CODE #	W	D	H	lbs	\$
<b>6" HIGH DRAWER</b>						
30" WIDE	QS.TM6/30.13	30	13	6	20.0	\$386.00
	QS.TM6/30.15	30	15	6	20.5	\$392.00
	QS.TM6/30.16	30	16	6	20.7	\$397.00
	QS.TM6/30.18	30	18	6	22.0	\$409.00
36" WIDE	QS.TM6/36.13	36	13	6	22.8	\$394.00
	QS.TM6/36.15	36	15	6	23.4	\$400.00
	QS.TM6/36.16	36	16	6	23.8	\$405.00
	QS.TM6/36.18	36	18	6	25.2	\$418.00
39 3/8" WIDE	QS.TM6/39.13	39	13	6	24.4	\$398.00
	QS.TM6/39.15	39	15	6	25.0	\$404.00
	QS.TM6/39.16	39	16	6	25.5	\$409.00
	QS.TM6/39.18	39	18	6	27.0	\$422.00
42" WIDE	QS.TM6/42.13	42	13	6	26.1	\$418.00
	QS.TM6/42.15	42	15	6	26.8	\$424.00
	QS.TM6/42.16	42	16	6	27.3	\$429.00
	QS.TM6/42.18	42	18	6	28.9	\$443.00
48" WIDE	QS.TM6/48.13	48	13	6	28.8	\$424.00
	QS.TM6/48.15	48	15	6	29.7	\$432.00
	QS.TM6/48.16	48	16	6	30.2	\$437.00
	QS.TM6/48.18	48	18	6	32.0	\$450.00



**Notes :**

- Front-to-back plain divider sold separately (see page SH/45)
- Sway brace are required for each section where drawers are needed (see page SH/18)

	CODE #	W	D	H	lbs	\$
<b>8" HIGH DRAWER</b>						
<b>30" WIDE</b>	QS.TM8/30.13	30	13	8	21.4	\$390.00
	QS.TM8/30.15	30	15	8	22.5	\$404.00
	QS.TM8/30.16	30	16	8	22.9	\$409.00
	QS.TM8/30.18	30	18	8	24.3	\$422.00
<b>36" WIDE</b>	QS.TM8/36.13	36	13	8	24.6	\$398.00
	QS.TM8/36.15	36	15	8	25.8	\$413.00
	QS.TM8/36.16	36	16	8	26.3	\$418.00
	QS.TM8/36.18	36	18	8	27.9	\$431.00
<b>39 3/8" WIDE</b>	QS.TM8/39.13	39	13	8	26.4	\$402.00
	QS.TM8/39.15	39	15	8	27.7	\$418.00
	QS.TM8/39.16	39	16	8	28.2	\$423.00
	QS.TM8/39.18	39	18	8	29.9	\$436.00
<b>42" WIDE</b>	QS.TM8/42.13	42	13	8	28.4	\$424.00
	QS.TM8/42.15	42	15	8	29.4	\$439.00
	QS.TM8/42.16	42	16	8	30.4	\$444.00
	QS.TM8/42.18	42	18	8	32.1	\$458.00
<b>48" WIDE</b>	QS.TM8/48.13	48	13	8	31.5	\$432.00
	QS.TM8/48.15	48	15	8	32.0	\$448.00
	QS.TM8/48.16	48	16	8	33.8	\$453.00
	QS.TM8/48.18	48	18	8	35.7	\$467.00



**Notes :**

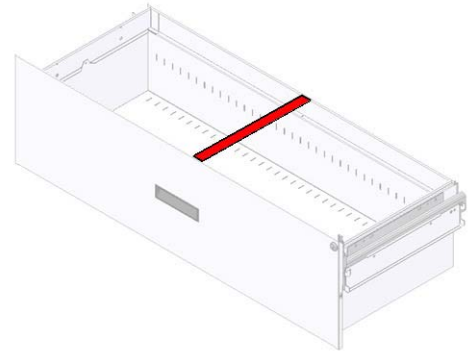
- Front-to-back plain divider sold separately (see page **SH/45**)
- Sway brace are required for each section where drawers are needed (see page **SH/18**)

**SH/44**

CODE #                      W   D   H           lbs           \$

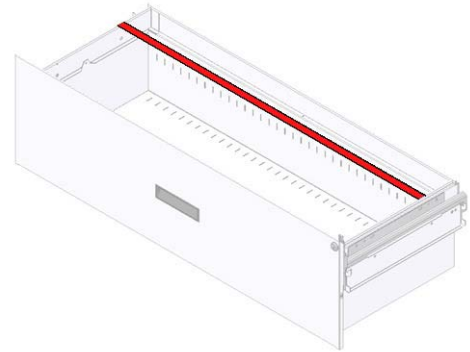
**FRONT-TO-BACK SUPPORT**

QS.PDFB13	-	13	-	0.6	\$5.10
QS.PDFB16	-	16	-	0.8	\$6.10



**SIDE-TO-SIDE SUPPORT**

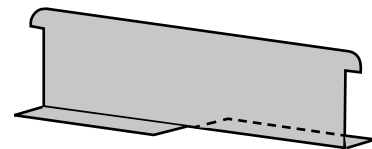
QS.PFDLR30	30	-	-	1.4	\$8.60
QS.PFDLR36	36	-	-	1.7	\$9.10
QS.PFDLR39	39	-	-	1.8	\$10.00
QS.PFDLR42	42	-	-	1.9	\$10.75
QS.PFDLR48	48	-	-	2.0	\$12.25



**FRONT-TO-BACK PLAIN DIVIDER**

4" HIGH

QS.DIVS4/13	-	13	4	0.3	\$5.00
QS.DIVS4/15	-	15	4	0.4	\$6.60
QS.DIVS4/16	-	16	4	0.5	\$7.00
QS.DIVS4/18	-	18	4	0.6	\$8.00



6" HIGH

QS.DIVS6/13	-	13	6	0.4	\$6.00
QS.DIVS6/15	-	15	6	0.5	\$7.00
QS.DIVS6/16	-	16	6	0.6	\$7.60
QS.DIVS6/18	-	18	6	0.7	\$8.60

8" HIGH

QS.DIVS8/13	-	13	8	0.5	\$7.00
QS.DIVS8/15	-	15	8	0.6	\$8.00
QS.DIVS8/16	-	16	8	0.7	\$8.60
QS.DIVS8/18	-	18	8	0.8	\$9.60

CODE #                      W   D   H      lbs              \$

**SUSPENSION BAR FOR OBLIQUE FOLDER**

QS.OFSB3012	30	12	-	2.4	\$61.00
QS.OFSB3015	30	15	-	2.6	\$62.00
QS.OFSB3612	36	12	-	2.6	\$63.10
QS.OFSB3615	36	15	-	2.8	\$64.10
QS.OFSB3912	39	12	-	2.8	\$65.40
QS.OFSB3915	39	15	-	3.0	\$66.40
QS.OFSB4212	42	12	-	3.0	\$67.60
QS.OFSB4215	42	15	-	3.2	\$68.60

**SUSPENSION BAR FOR PRINT-OUTS**

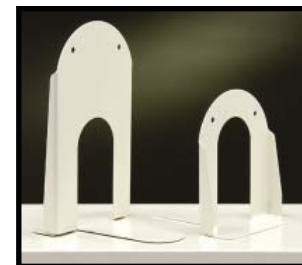
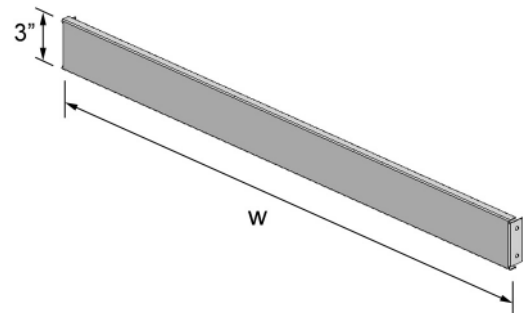
QS.LSB3012	30	12	-	4.0	\$43.60
QS.LSB3015	30	15	-	4.3	\$44.70
QS.LSB3612	36	12	-	4.5	\$46.70
QS.LSB3615	36	15	-	4.7	\$47.90
QS.LSB3912	39	12	-	5.0	\$48.10
QS.LSB3915	39	15	-	5.2	\$49.40
QS.LSB4212	42	12	-	5.2	\$51.40
QS.LSB4215	42	15	-	5.4	\$52.20

**KICK STRIP / FRONT BASE**

QS.KICK3/30	30	-	3	5.0	\$16.30
QS.KICK3/36**	36	-	3	6.0	\$16.30
QS.KICK3/39	39	-	3	6.5	\$16.80
QS.KICK3/42	42	-	3	7.0	\$18.50
QS.KICK3/48	48	-	3	8.0	\$19.50

**FINDABLE BOOK SUPPORT**

QS.BKSP6	Plain Base	6	1.1	\$6.00
QS.BKSP9	Plain Base	9	1.5	\$7.30
QS.BKSPC6	Cork Base	6	1.1	\$8.40
QS.BKSPC9	Cork Base	9	1.5	\$9.60
QS.BKSPM6	Magnetic Base	6	1.1	\$8.40
QS.BKSPM9	Magnetic Base	9	1.5	\$9.60



**Notes :**  
 \*\* Available on QuickShip program (see QuickShip tab)

# ACCESSORIES

# SMARTSHELF

CODE #                      W   D   H                      lbs                      \$

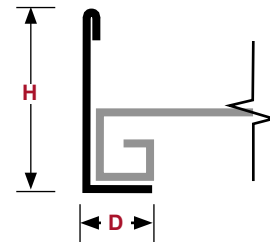
**WIRE BOOK SUPPORT**

L8W	8" & 9" shelves	W Type	0.2	\$6.00
L12W	11" & 12" shelves	W Type	0.2	\$7.30
L16W	15" & 16" shelves	W Type	0.2	\$8.00
L18-12W	8" to 12" shelves	V Type	0.1	\$4.00



**FRONT STOP**

QS.FRST/30	30	-	1	0.8	\$11.50
QS.FRST/36	36	-	1	1.0	\$11.50
QS.FRST/39	39	-	1	1.1	\$11.80
QS.FRST/42	42	-	1	1.2	\$12.00
QS.FRST/48	48	-	1	1.4	\$12.75



**LABEL HOLDER - CLEAR PLASTIC**

L5LHP	5	-	-	0.1	\$1.40
-------	---	---	---	-----	--------



**RANGE FINDER**

L2RFA	-	-	-	0.1	\$17.00
-------	---	---	---	-----	---------

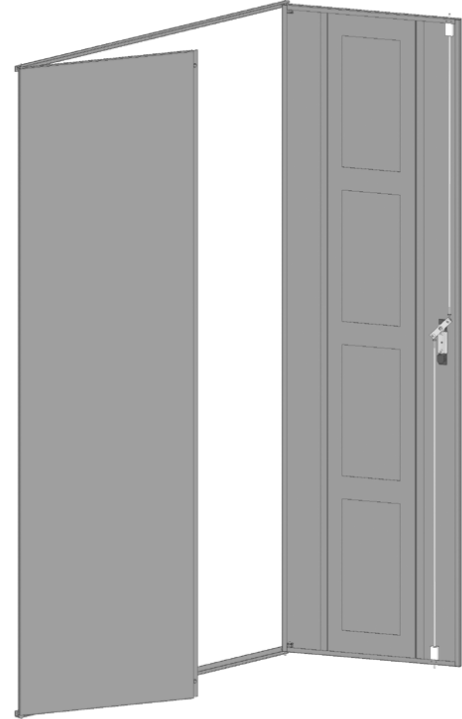


**CARD HOLDER**

L2CHA	-	-	-	0.4	\$7.30
-------	---	---	---	-----	--------



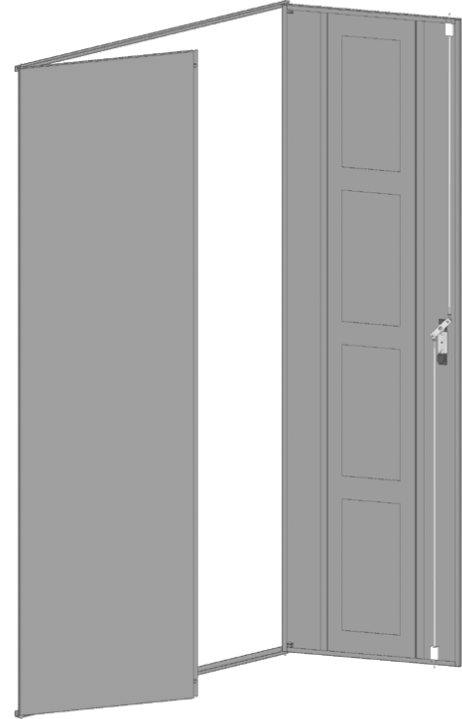
CODE #	W	D	H	lbs	\$	
<b>DOORS</b>						
76" HIGH	QS.DRS/300.760	30	-	76	48.6	\$785.00
	QS.DRS/360.760	36	-	76	58.8	\$811.00
	QS.DRS/393.760	39	-	76	64.0	\$825.00
	QS.DRS/420.760	42	-	76	69.1	\$837.00
	QS.DRS/480.760	48	-	76	79.3	\$863.00
79" HIGH	QS.DRS/300.790	30	-	79	50.5	\$790.00
	QS.DRS/360.790	36	-	79	61.3	\$817.00
	QS.DRS/393.790	39	-	79	66.7	\$832.00
	QS.DRS/420.790	42	-	79	72.2	\$844.00
	QS.DRS/480.790	48	-	79	82.9	\$870.00
85" HIGH	QS.DRS/300.850	30	-	85	52.9	\$797.00
	QS.DRS/360.850	36	-	85	64.2	\$825.00
	QS.DRS/393.850	39	-	85	69.9	\$841.00
	QS.DRS/420.850	42	-	85	75.6	\$854.00
	QS.DRS/480.850	48	-	85	86.9	\$882.00
88" HIGH	QS.DRS/300.880	30	-	88	54.3	\$800.00
	QS.DRS/360.880	36	-	88	66.0	\$831.00
	QS.DRS/393.880	39	-	88	71.9	\$846.00
	QS.DRS/420.880	42	-	88	77.8	\$860.00
	QS.DRS/480.880	48	-	88	89.5	\$889.00



**Notes :**

- To order doors, choose the same height as the upright frame.
- Ex. : Doors **QS.DRS/360.760** require a SmartShelf frame **QS.RFRAME1/24.760**

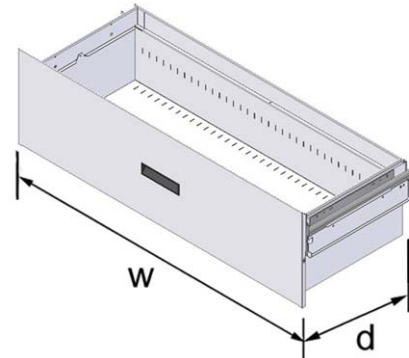
CODE #	W	D	H	lbs	\$	
<b>DOORS</b>						
91" HIGH	QS.DRS/300.910	30	-	91	56.8	<b>\$812.00</b>
	QS.DRS/360.910	36	-	91	69.0	<b>\$845.00</b>
	QS.DRS/393.910	39	-	91	74.9	<b>\$863.00</b>
	QS.DRS/420.910	42	-	91	81.3	<b>\$877.00</b>
	QS.DRS/480.910	48	-	91	93.5	<b>\$909.00</b>
97" HIGH	QS.DRS/300.970	30	-	97	58.6	<b>\$812.00</b>
	QS.DRS/360.970	36	-	97	71.4	<b>\$845.00</b>
	QS.DRS/393.970	39	-	97	77.6	<b>\$863.00</b>
	QS.DRS/420.970	42	-	97	84.3	<b>\$877.00</b>
	QS.DRS/480.970	48	-	97	97.1	<b>\$909.00</b>



**Notes :**

- To order doors, choose the same height as the upright frame.  
Ex. : Doors **QS.DRS/360.760** require a SmartShelf frame **QS.RFRAME1/24.760**

- **QS** : SmartShelf @ 1"
- **CT** : Cabinet Style @ 1 1/2"
- **CT** : Quadral @ 1 1/2"
- **QV** : QuadraVista @ 1"
- **T** : Drawer
- **P** : Pendaflex
- **F** : Front
- **B** : Bottom
- **I** : Alike key
- **D** : Different key
- **N** : No key
- **#** : Width (30", 36", 39", 42", 48")  
**39" = 1 meter**
- **\*** : Depth (13" or 16")



12" high pendaflex frame and file drawer for 13" and 16" deep. Interlock slides are designed to open only one drawer at a time.

**Frame only**

QS.TP/#\*  
CT.TP/#\*  
QV.TP/#\*

With drawer front and lock

With drawer front without lock

No bottom

With bottom

No bottom

With bottom

**Alike key**

QS.TPFI/#\*  
CT.TPFI/#\*  
QV.TPFI/#\*

**Different key**

QS.TPFD/#\*  
CT.TPFD/#\*  
QV.TPFD/#\*

**Alike key**

QS.TPFBI/#\*  
CT.TPFBI/#\*  
QV.TPFBI/#\*

**Different key**

QS.TPFBD/#\*  
CT.TPFBD/#\*  
QV.TPFBD/#\*

QS.TPFN/#\*

CT.TPFN/#\*

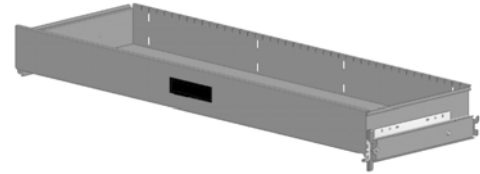
QV.TPFN/#\*

QS.TPFBN/#\*

CT.TPFBN/#\*

QV.TPFBN/#\*

- **QS** : SmartShelf @ 1"
- **CT** : Cabinet Style @ 1 1/2"
- **CT** : Quadral @ 1 1/2"
- **QV** : QuadraVista @ 1"
- **T** : Drawer
- **M** : Multipurpose
- **4** : 4" high
- **44** : 4 1/2" high
- **6** : 6" high
- **8** : 8" high
- **#** : Width (30", 36", 39", 42", 48")  
**39" = 1 meter**
- **\*** : Depth (13" or 16")



Interlock slides are designed to open only one drawer at a time.

**SmartShelf**

QS.TM4/#\*  
QS.TM6/#\*  
QS.TM8/#\*

**Cabinet Style or  
Quadral**

CT.TM44/#\*  
CT.TM6/#\*

**QuadraVista**

QV.TM4/#\*  
QV.TM6/#\*  
QV.TM8/#\*